



Jeep®

Jeep, the Jeep grille and related logos, vehicle model names and trade dress are trademarks of FCA US LLC and used under license by Cobi.
©2015 FCA US LLC.

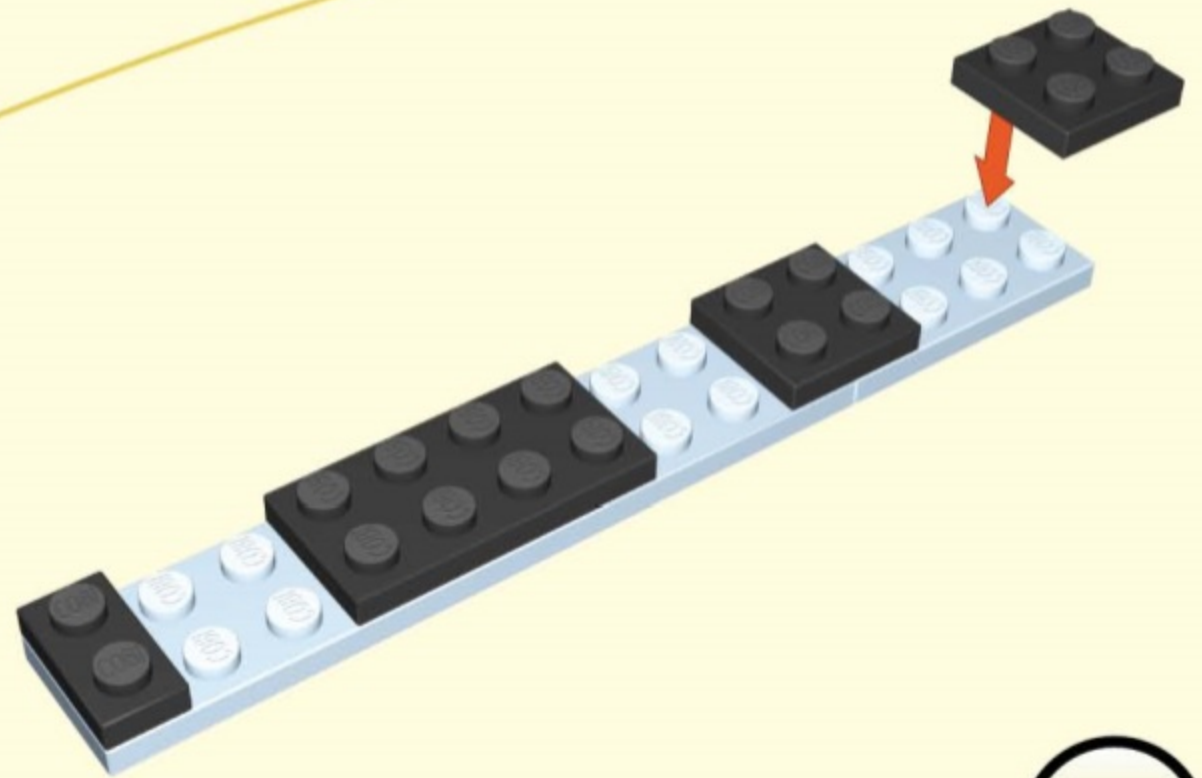
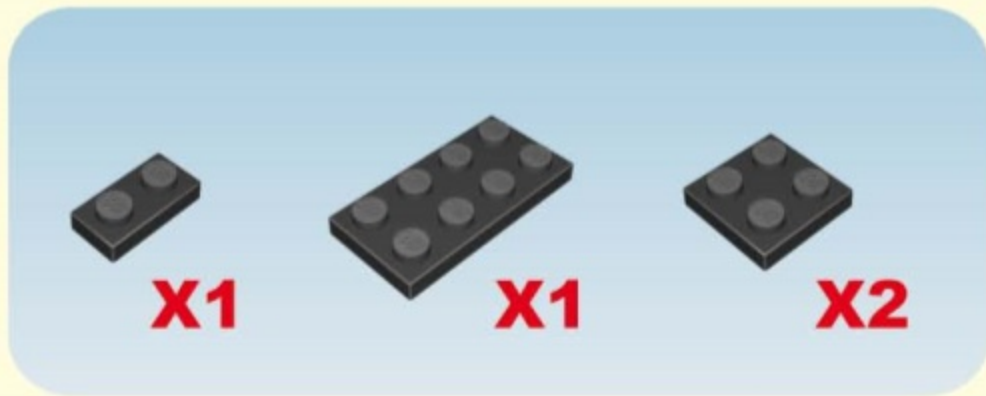
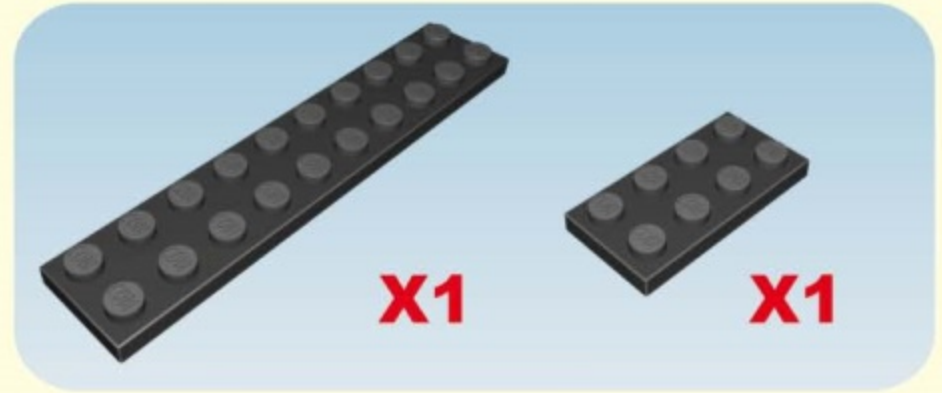
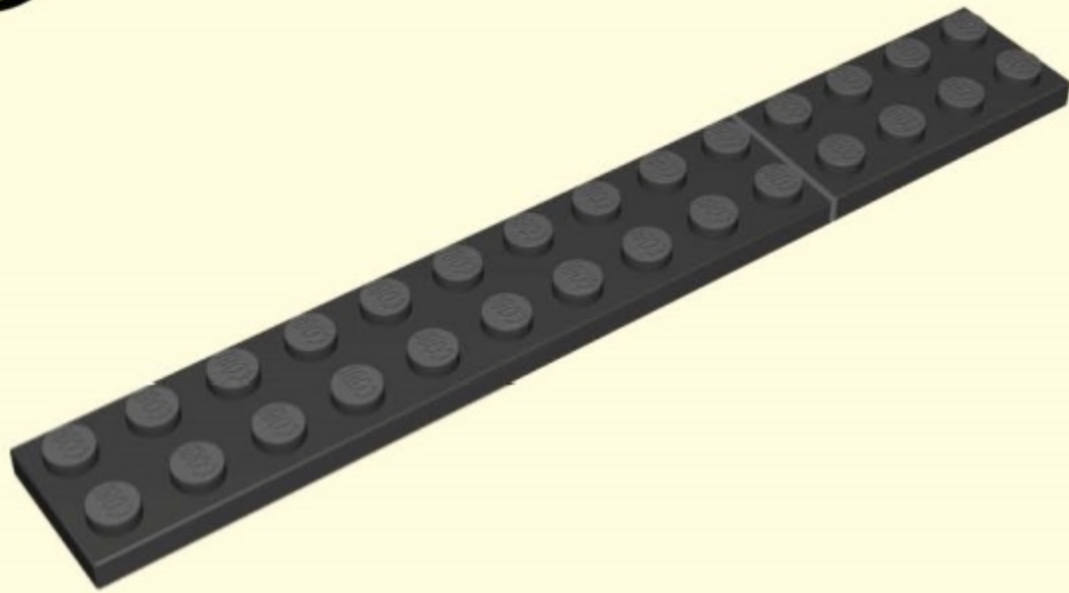


Printed in EU



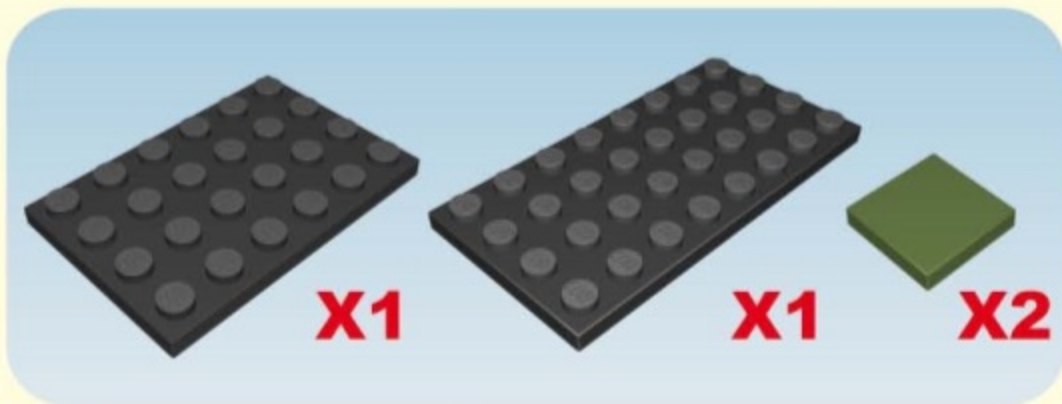
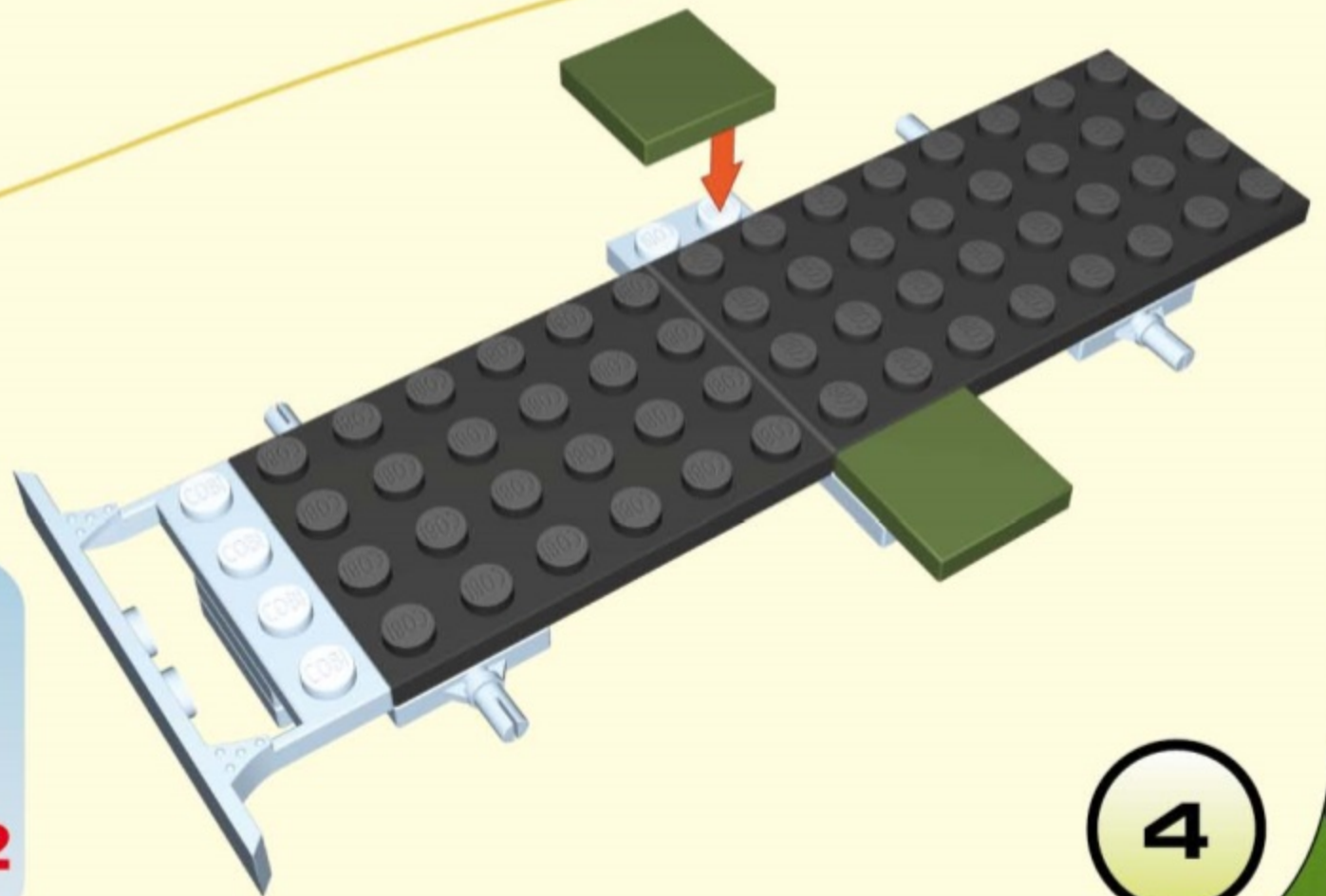
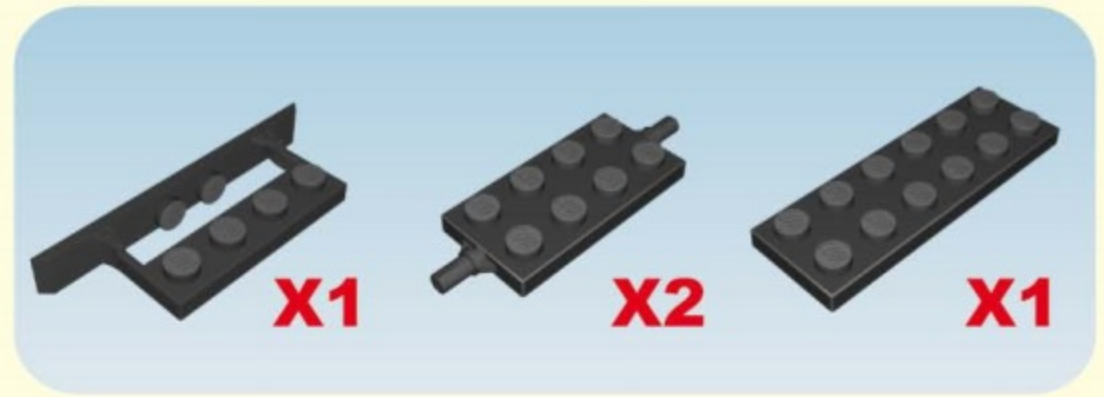
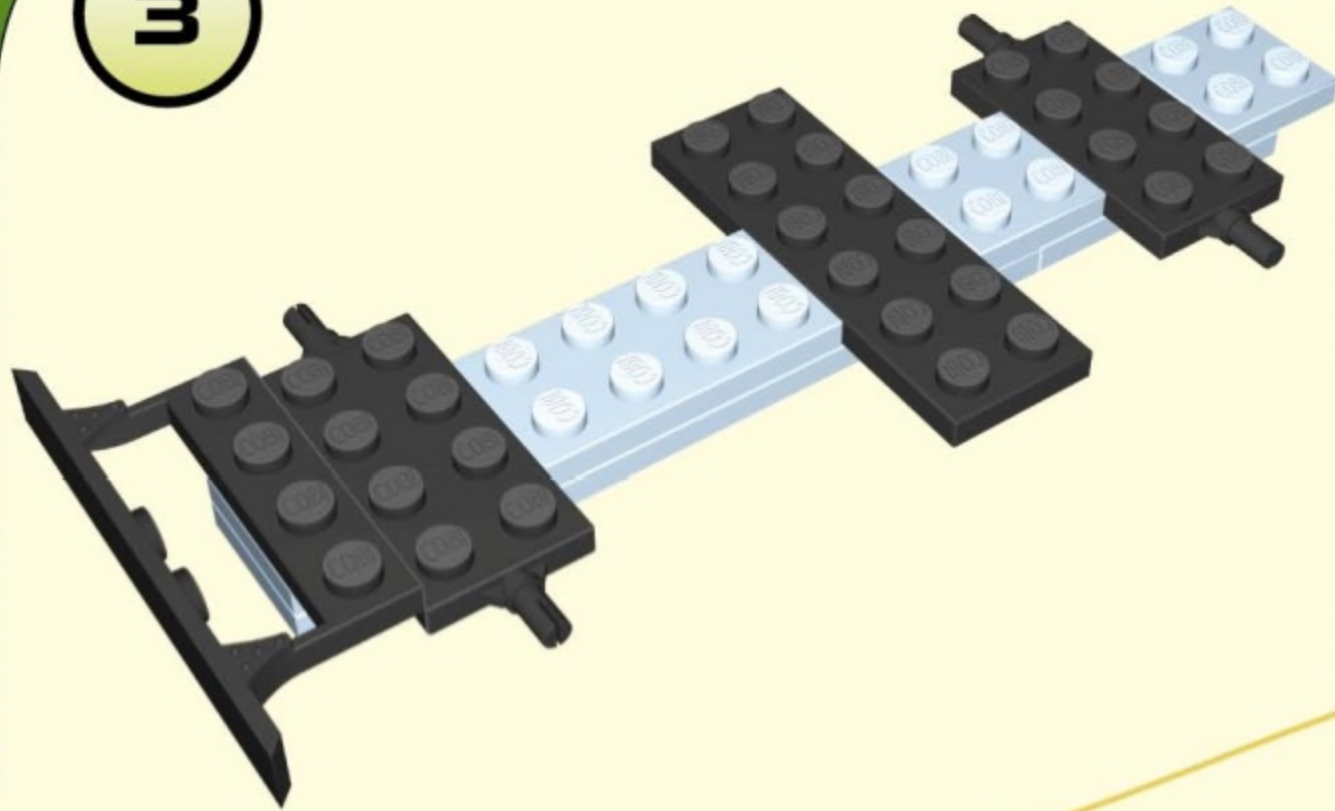
WARNING: CHOKING HAZARD-
Toy contains small parts.
Not for children under 3 years.

1



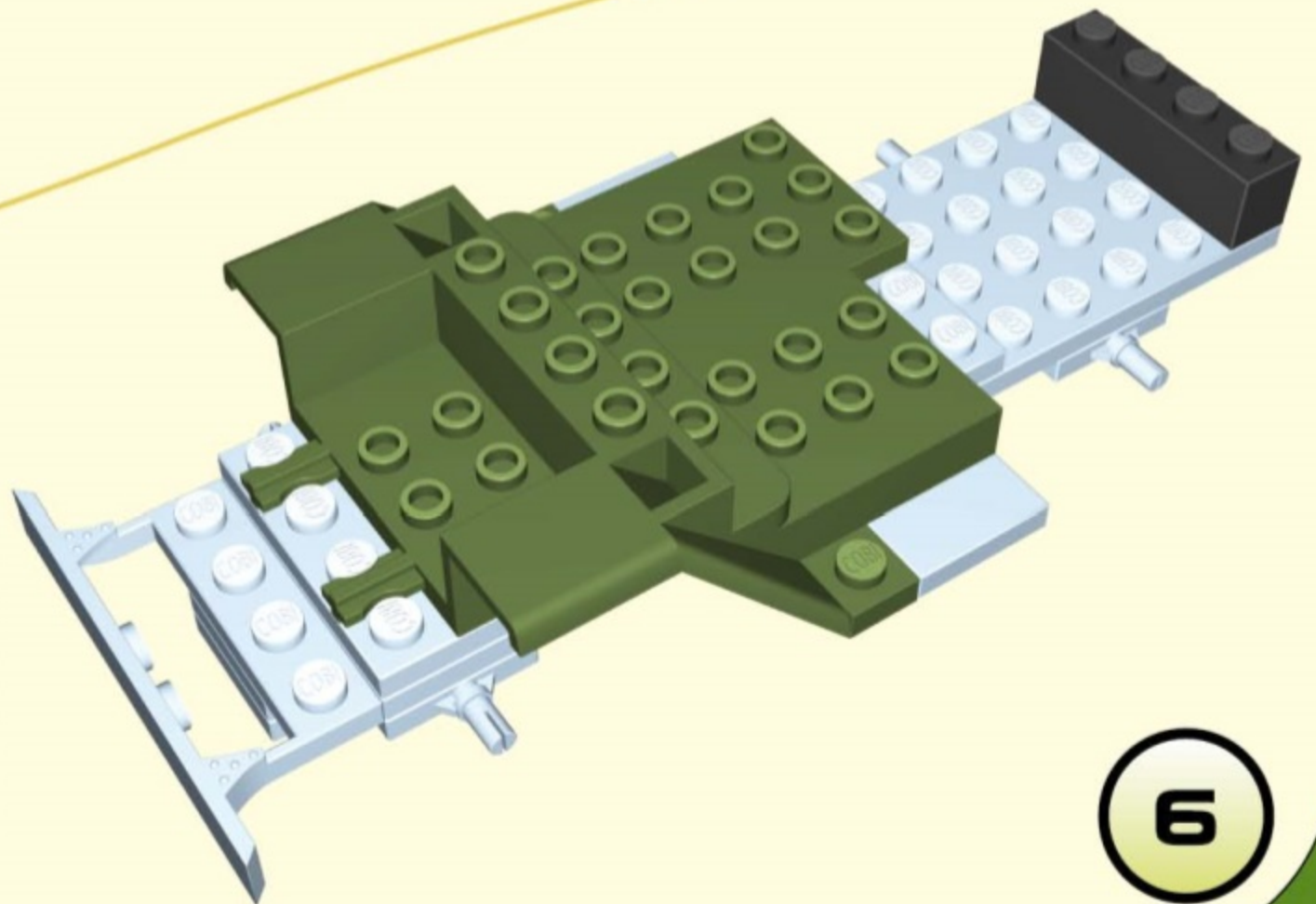
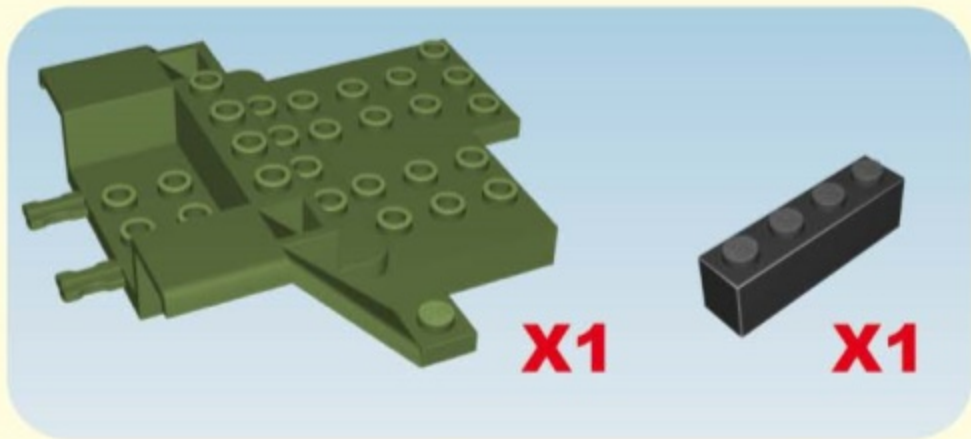
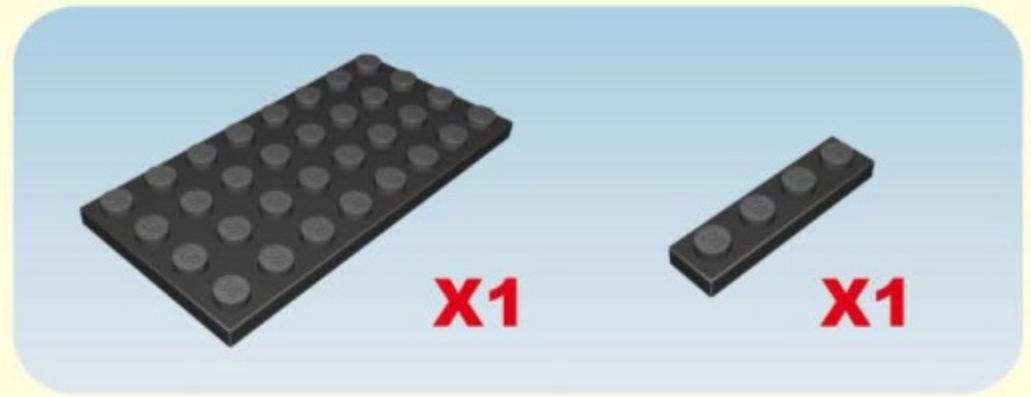
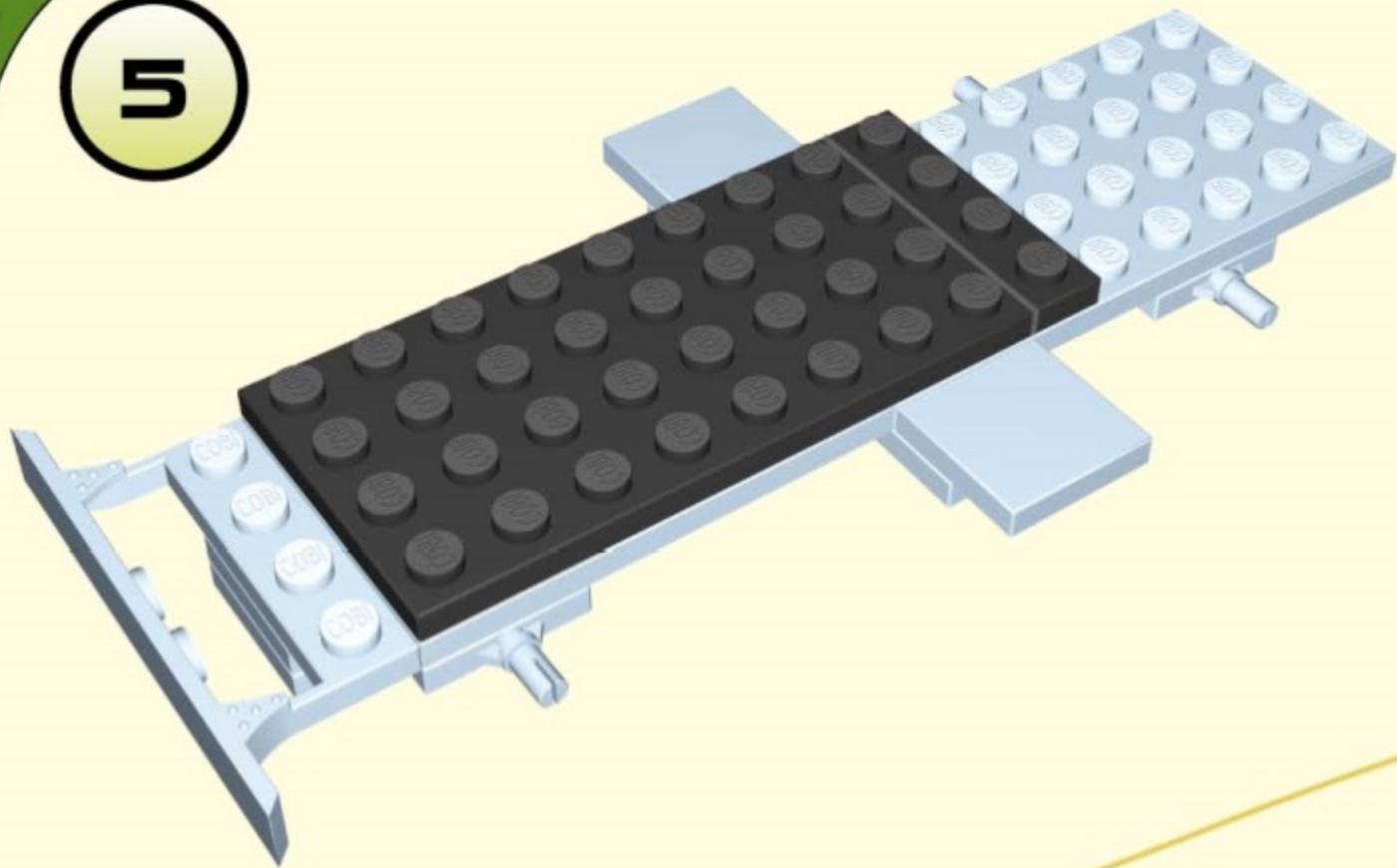
2

3



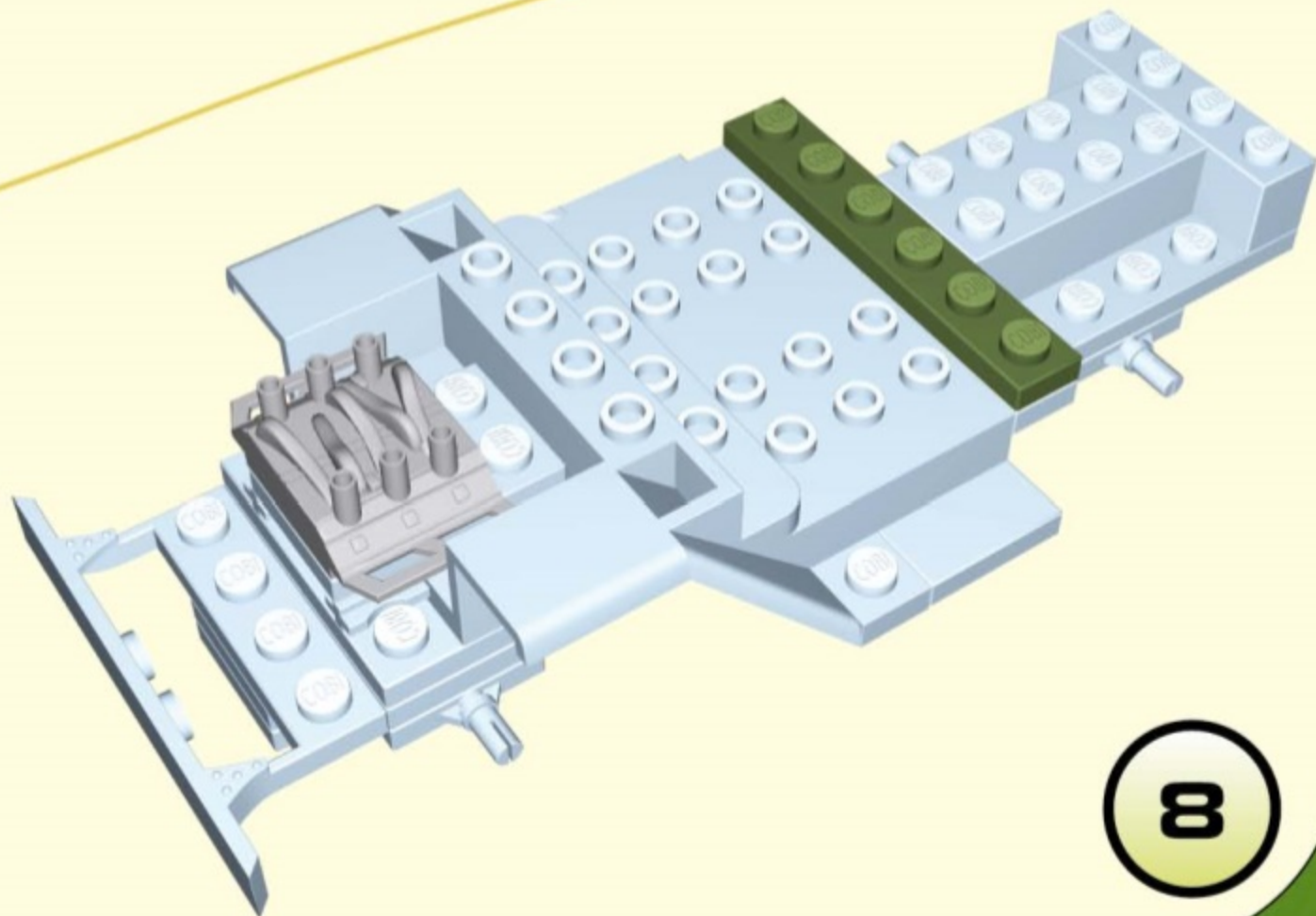
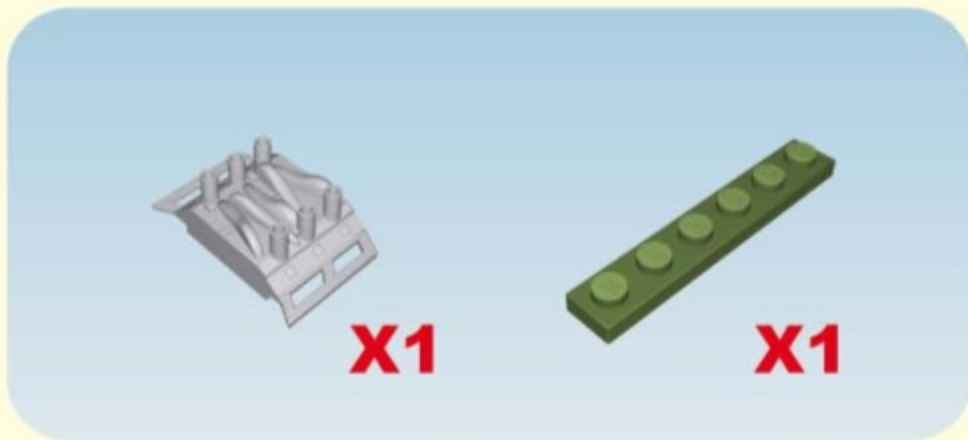
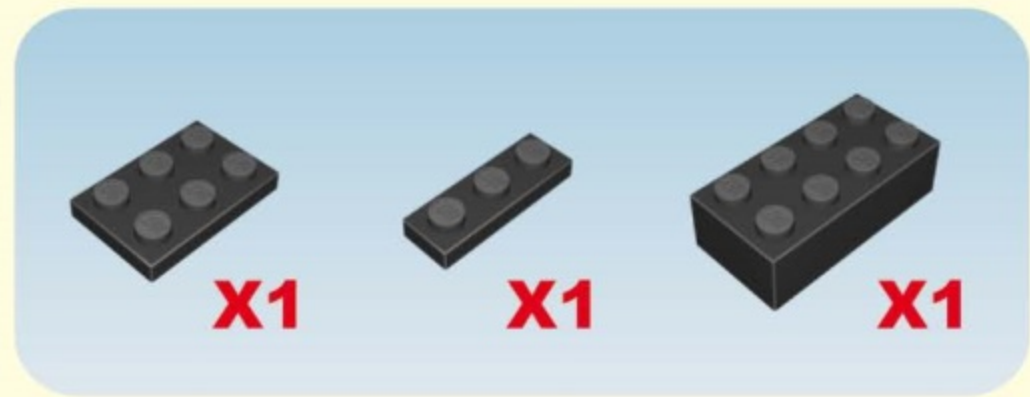
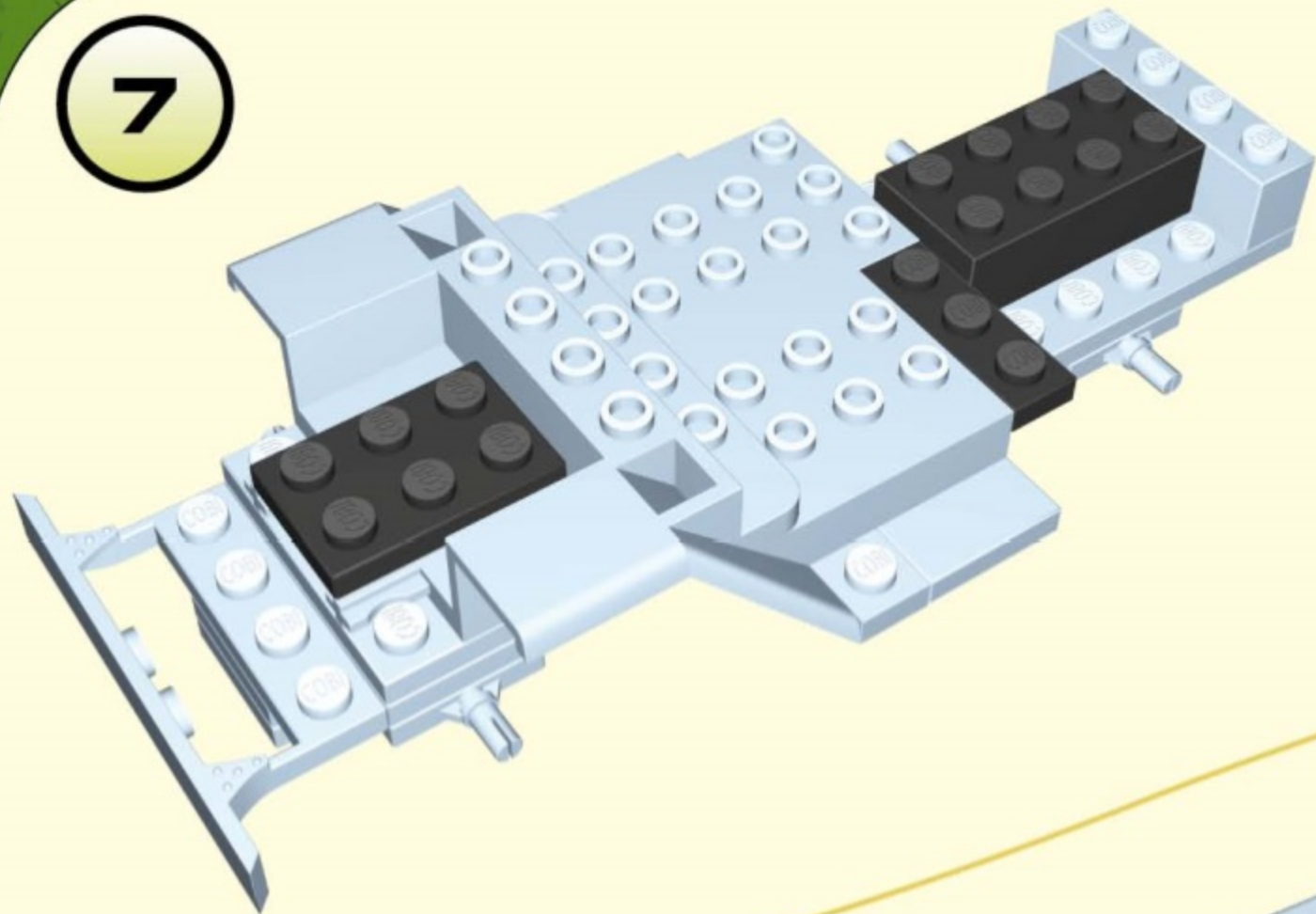
4

5



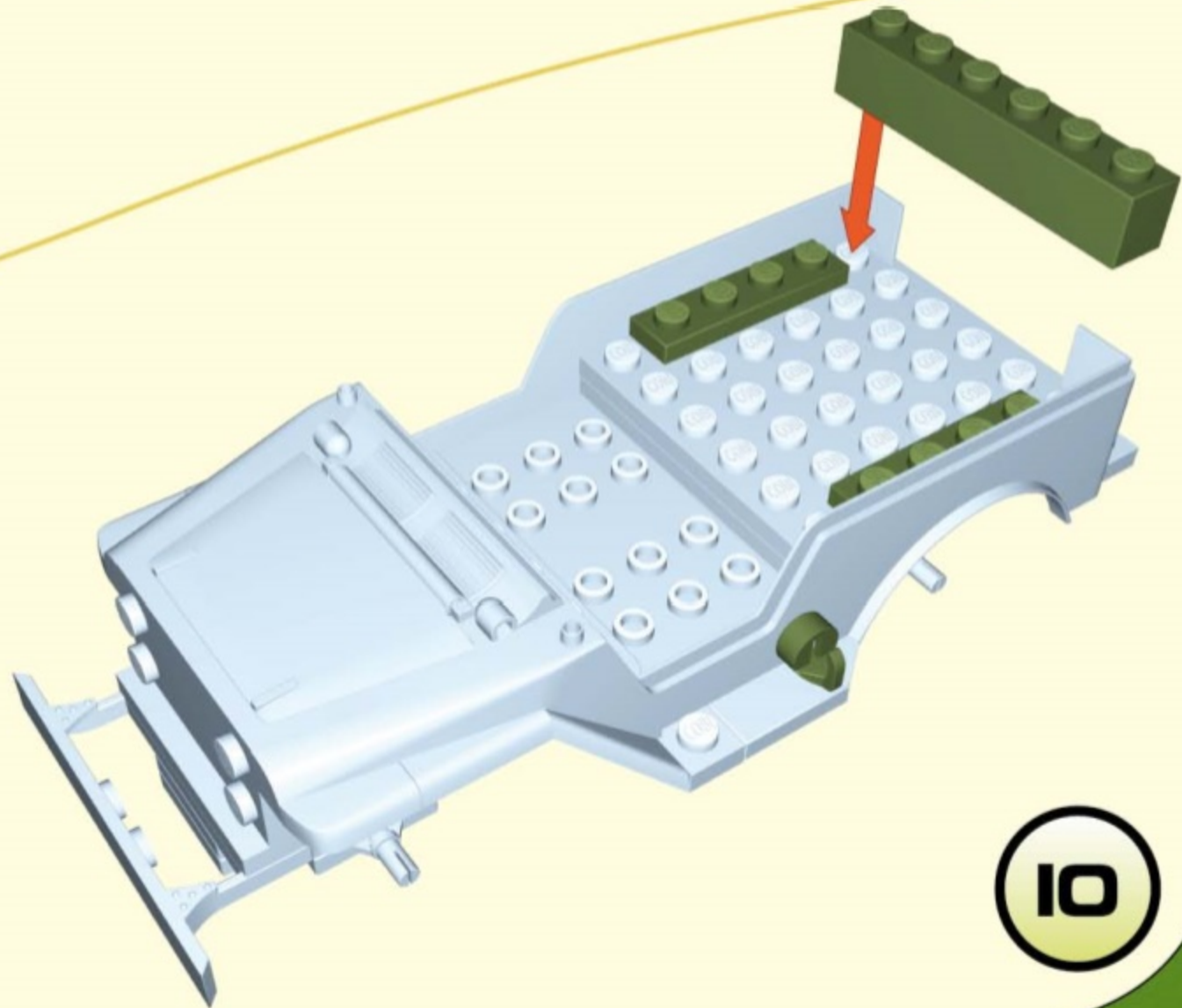
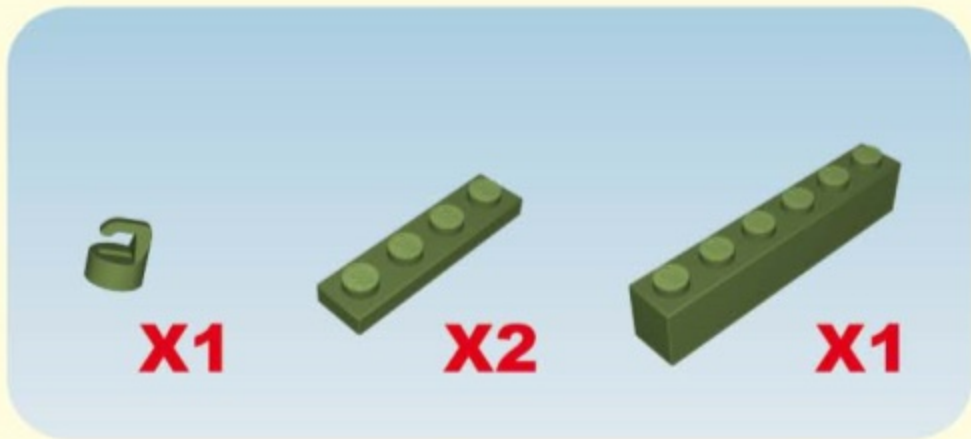
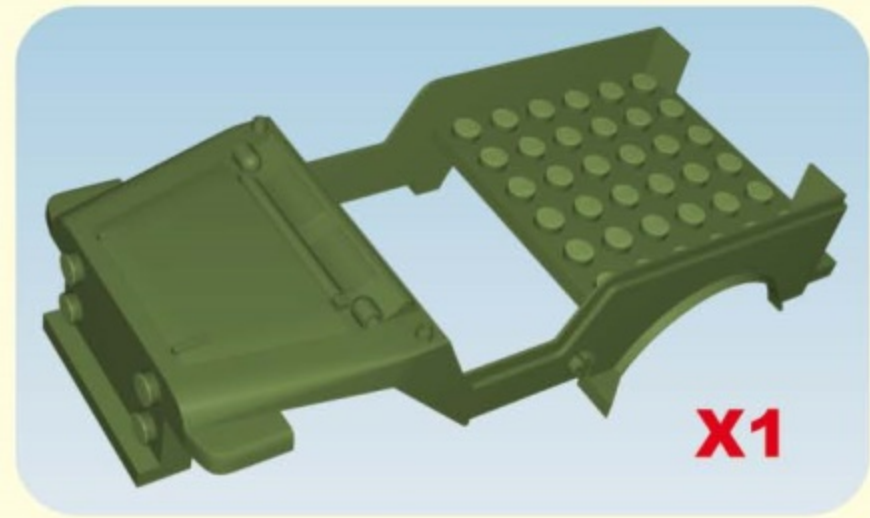
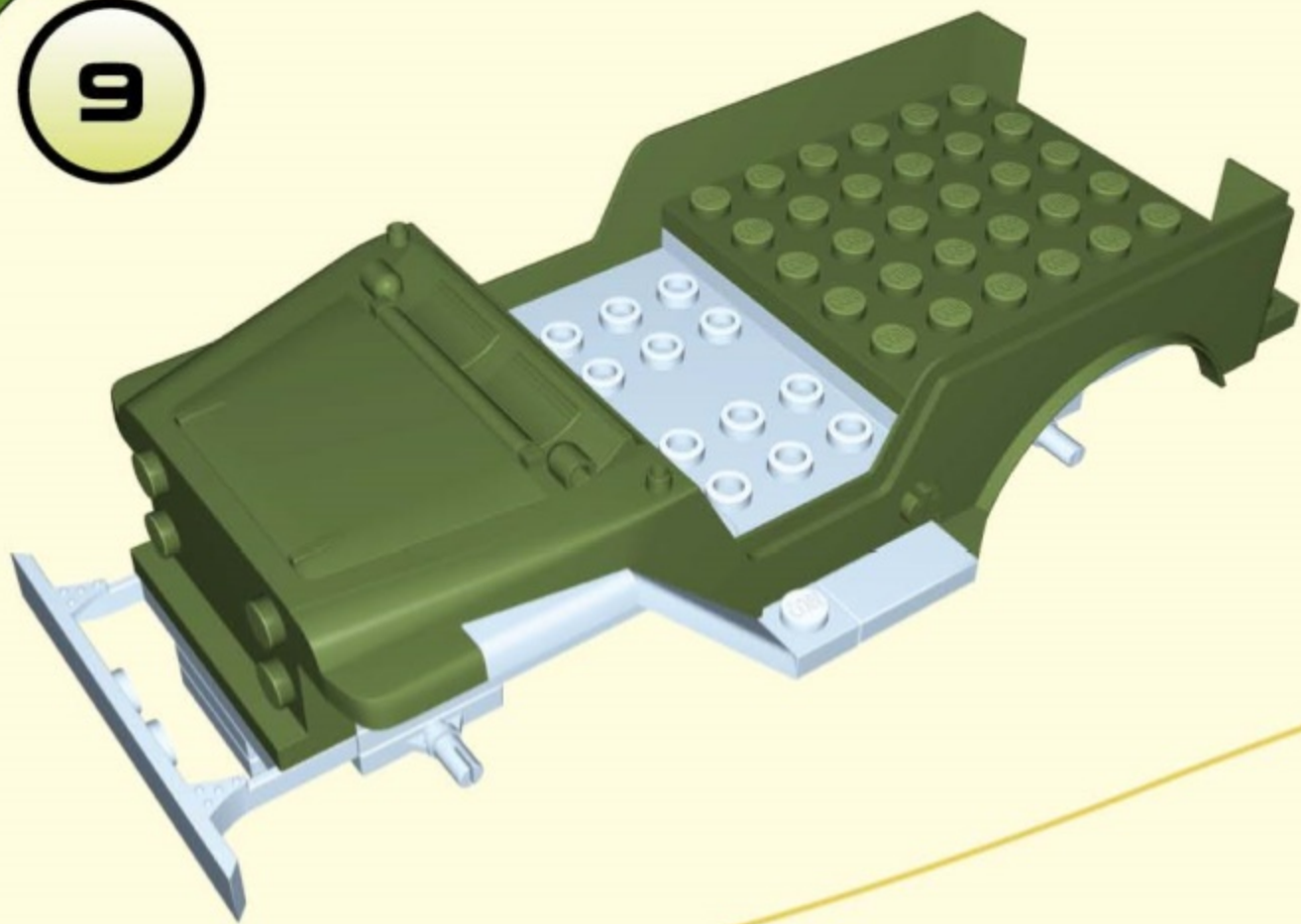
6

7



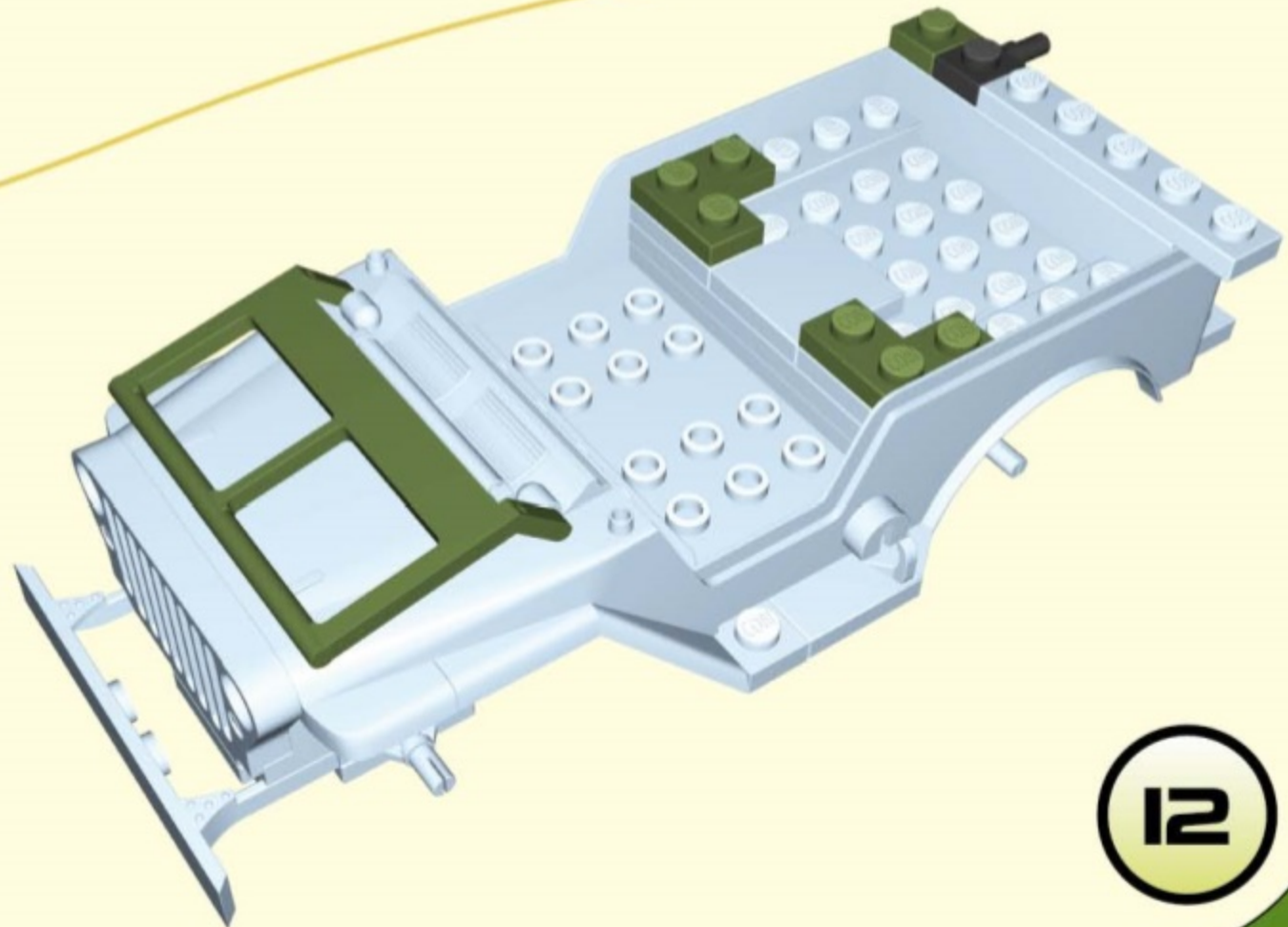
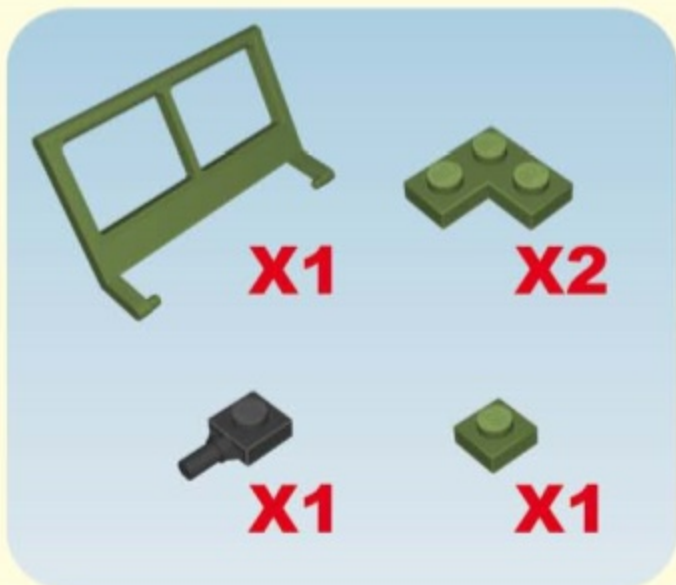
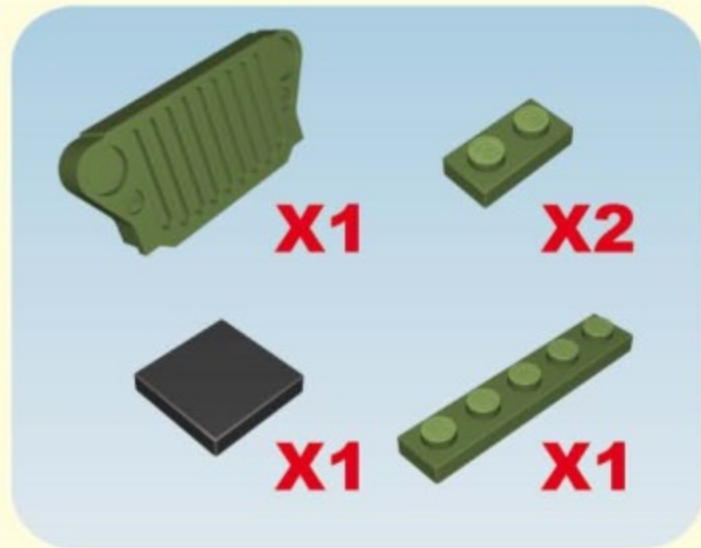
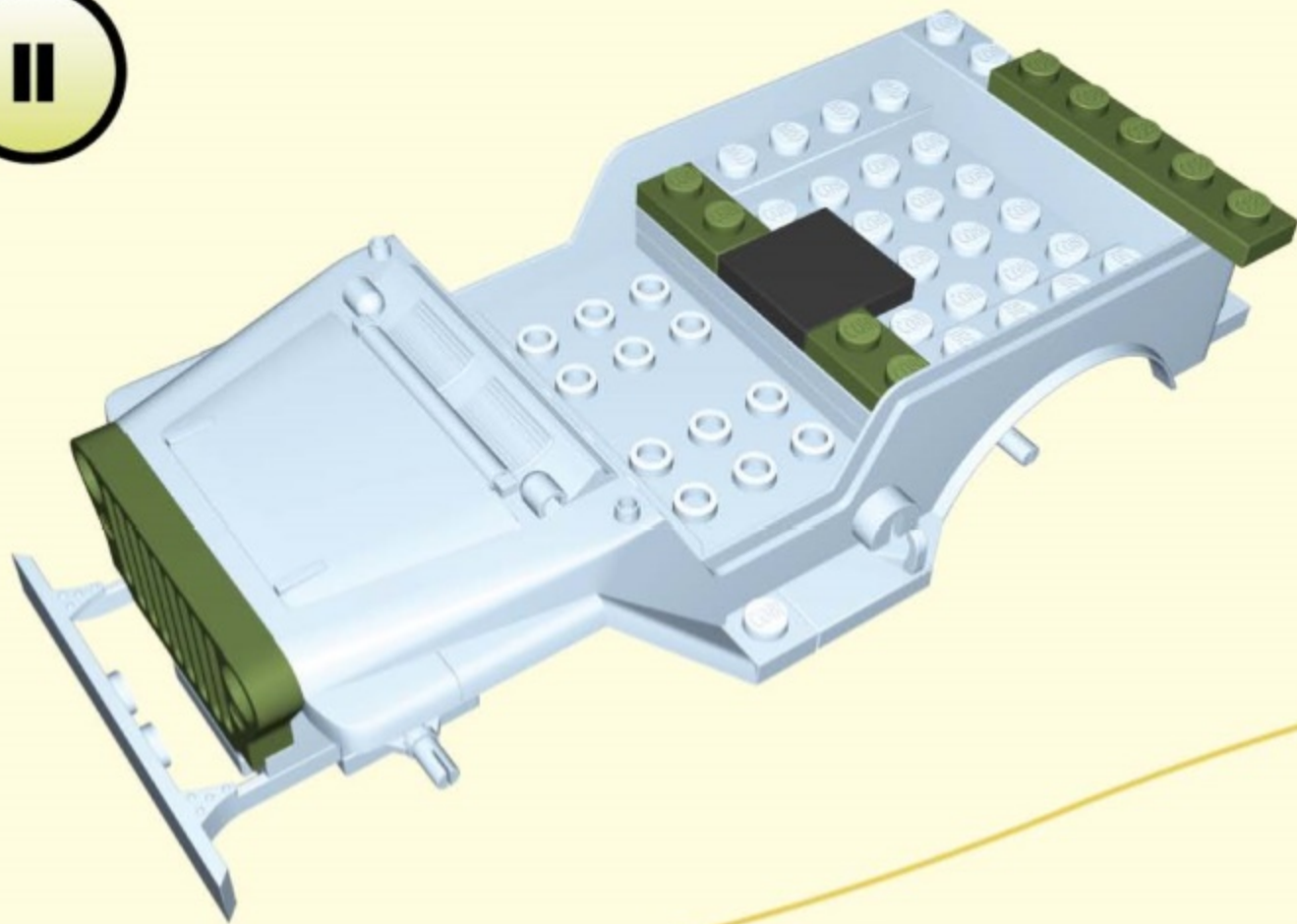
8

9



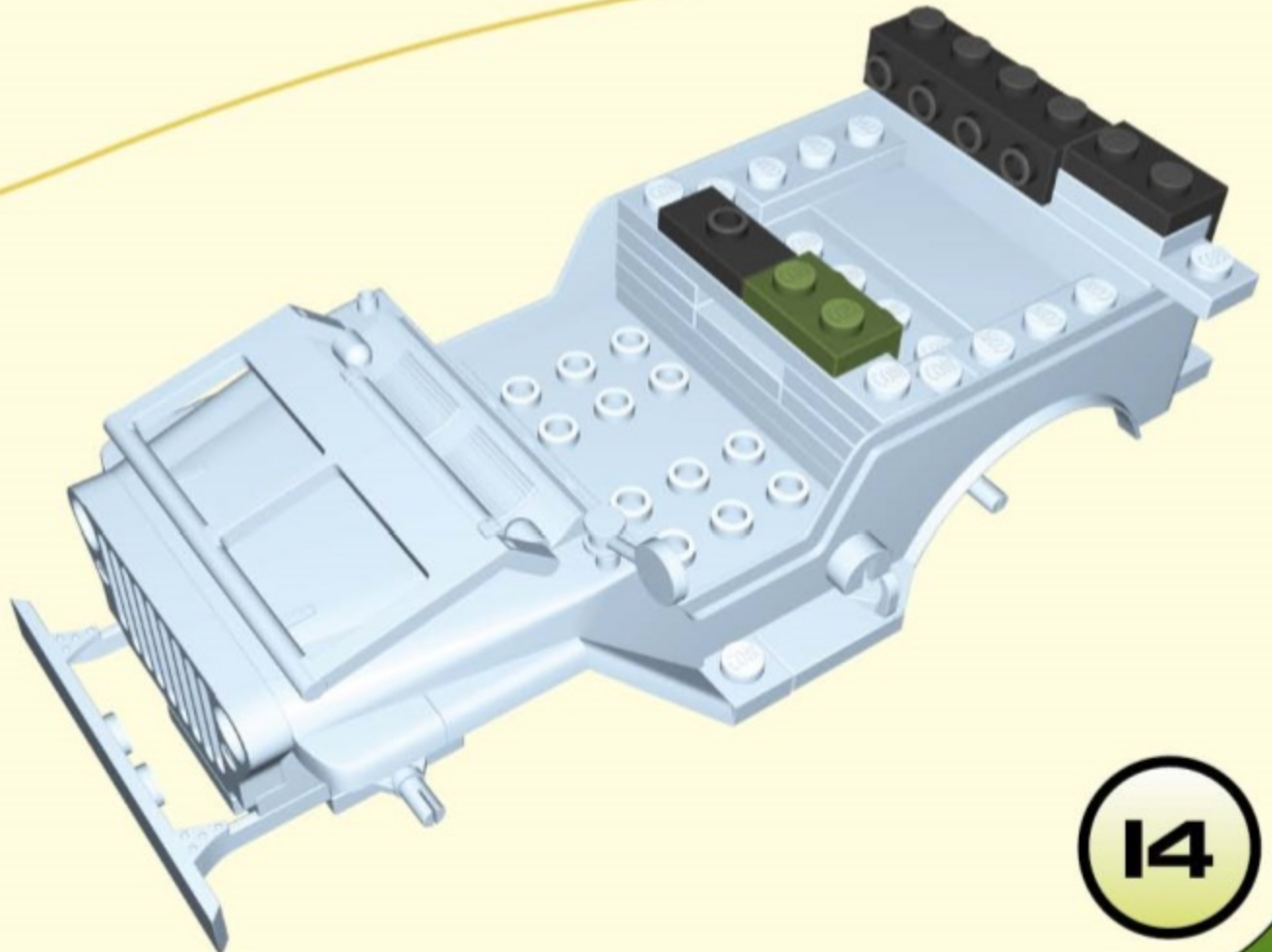
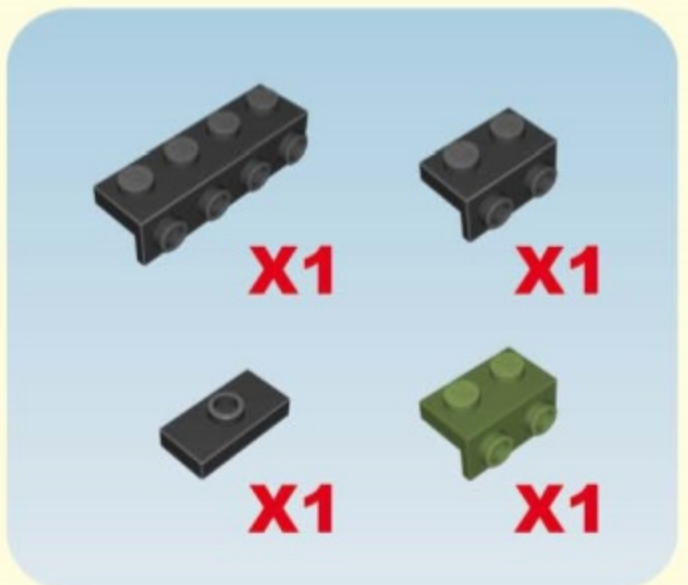
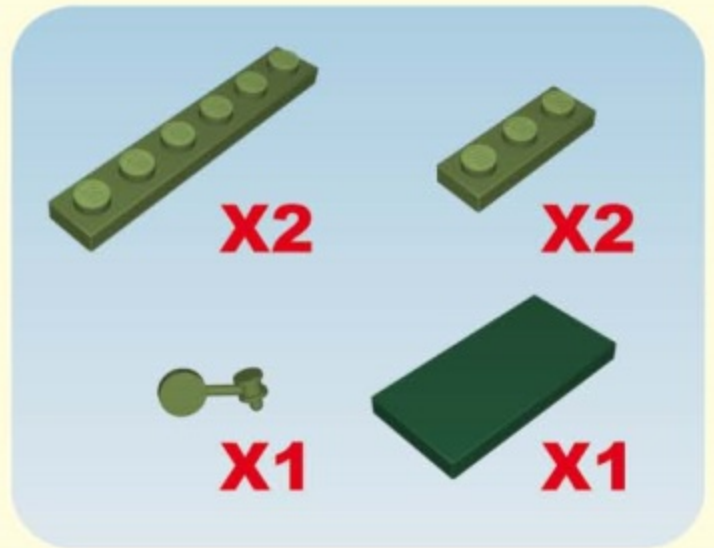
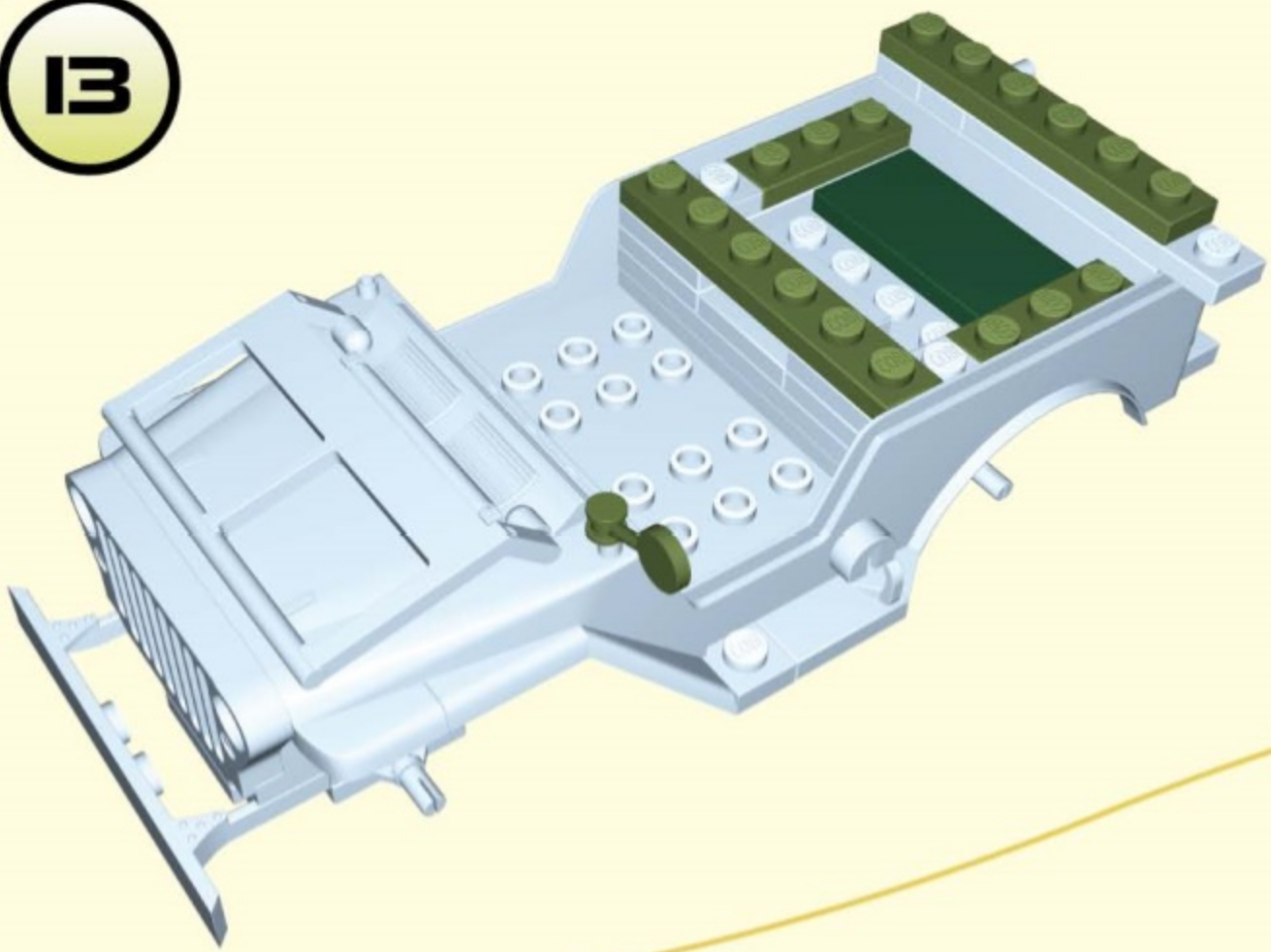
10

11



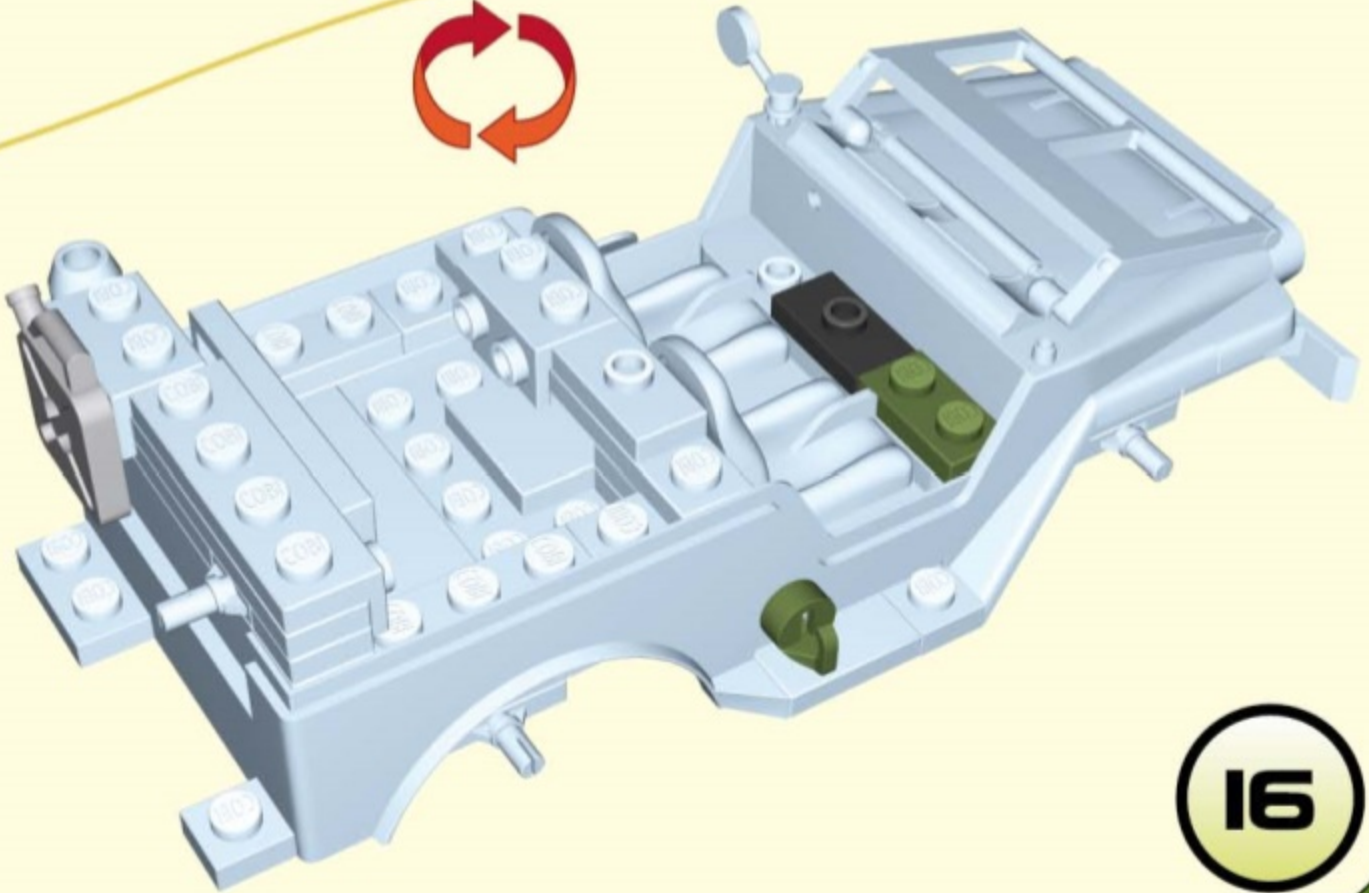
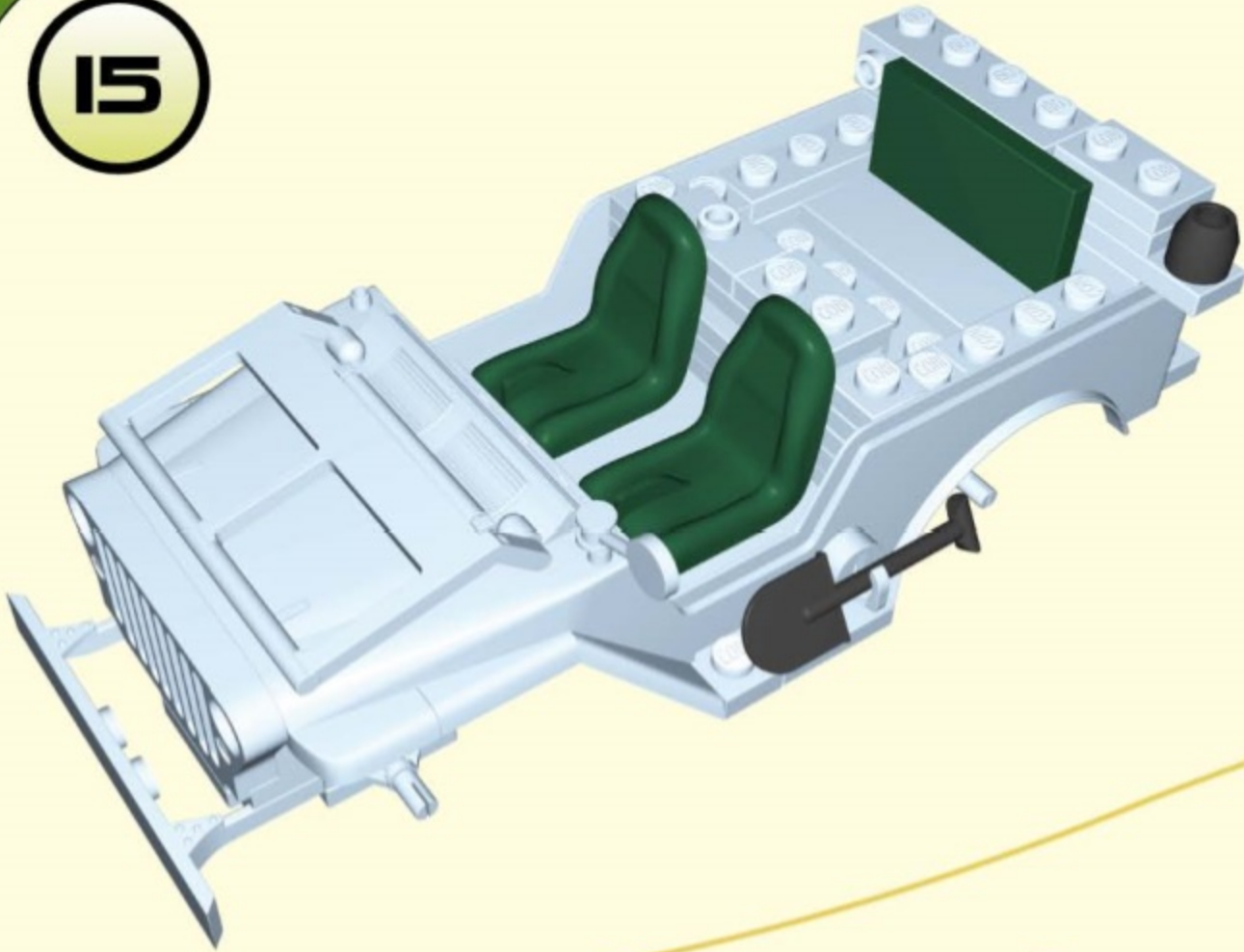
12

13



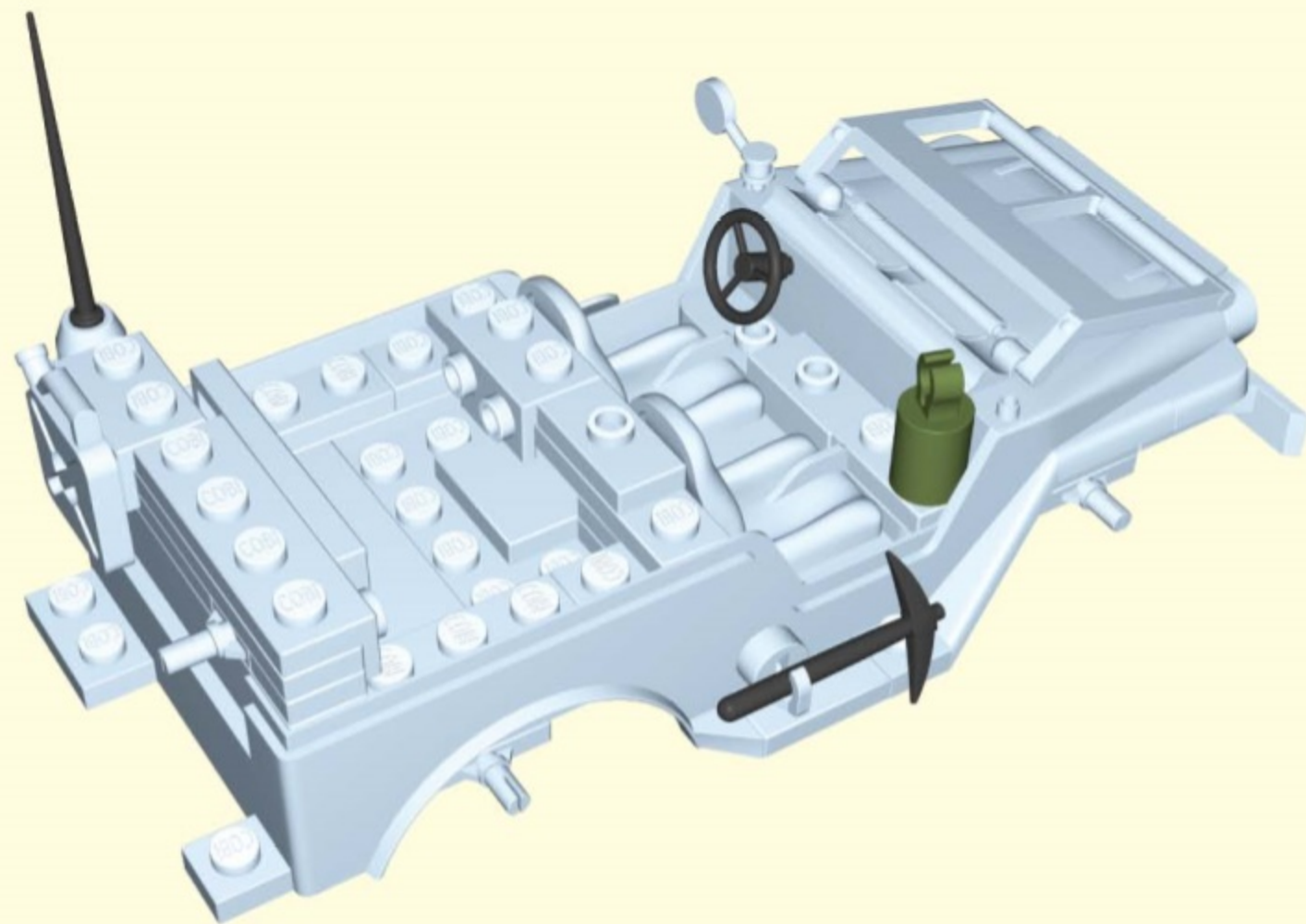
14




15



16

17

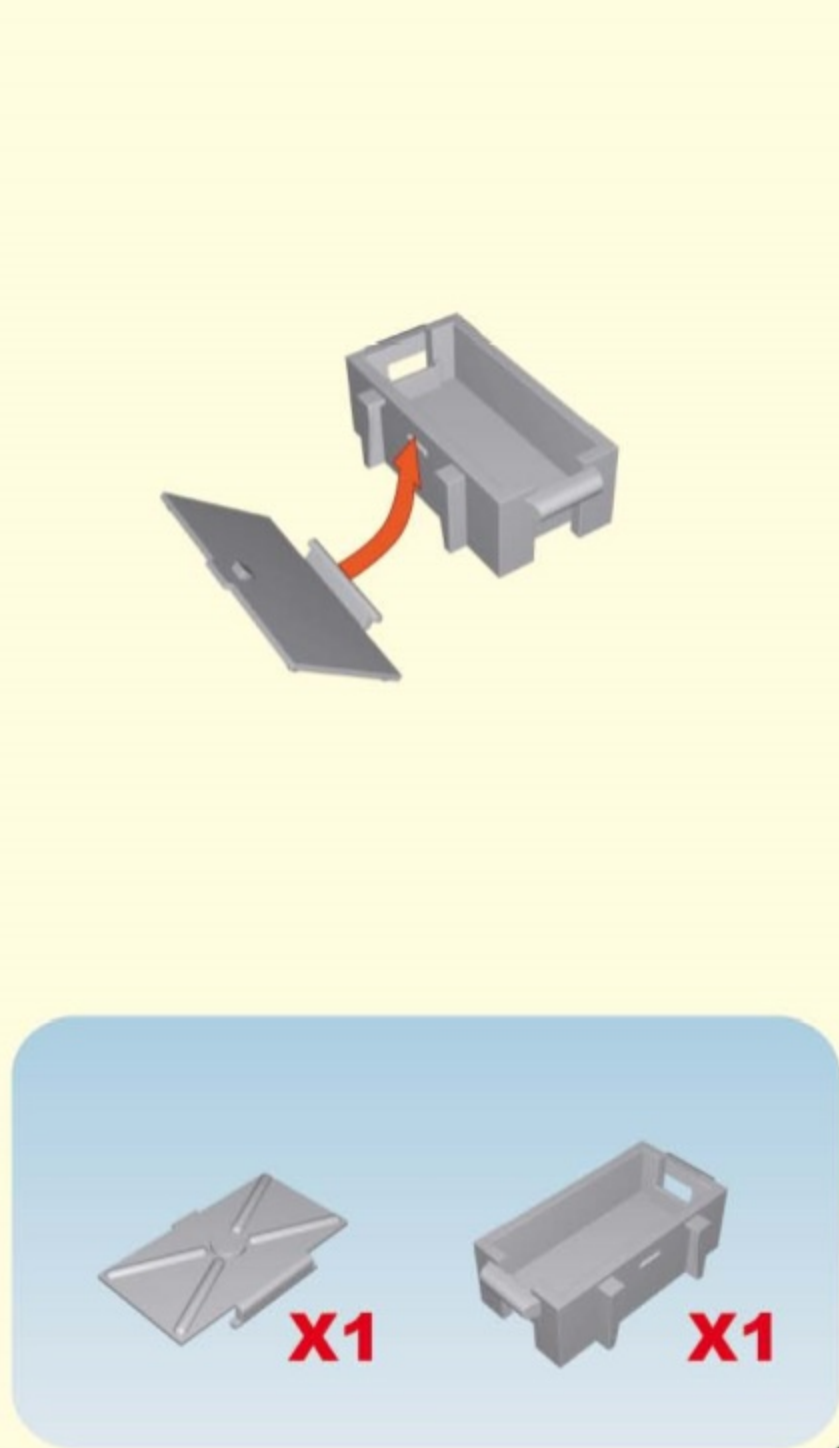


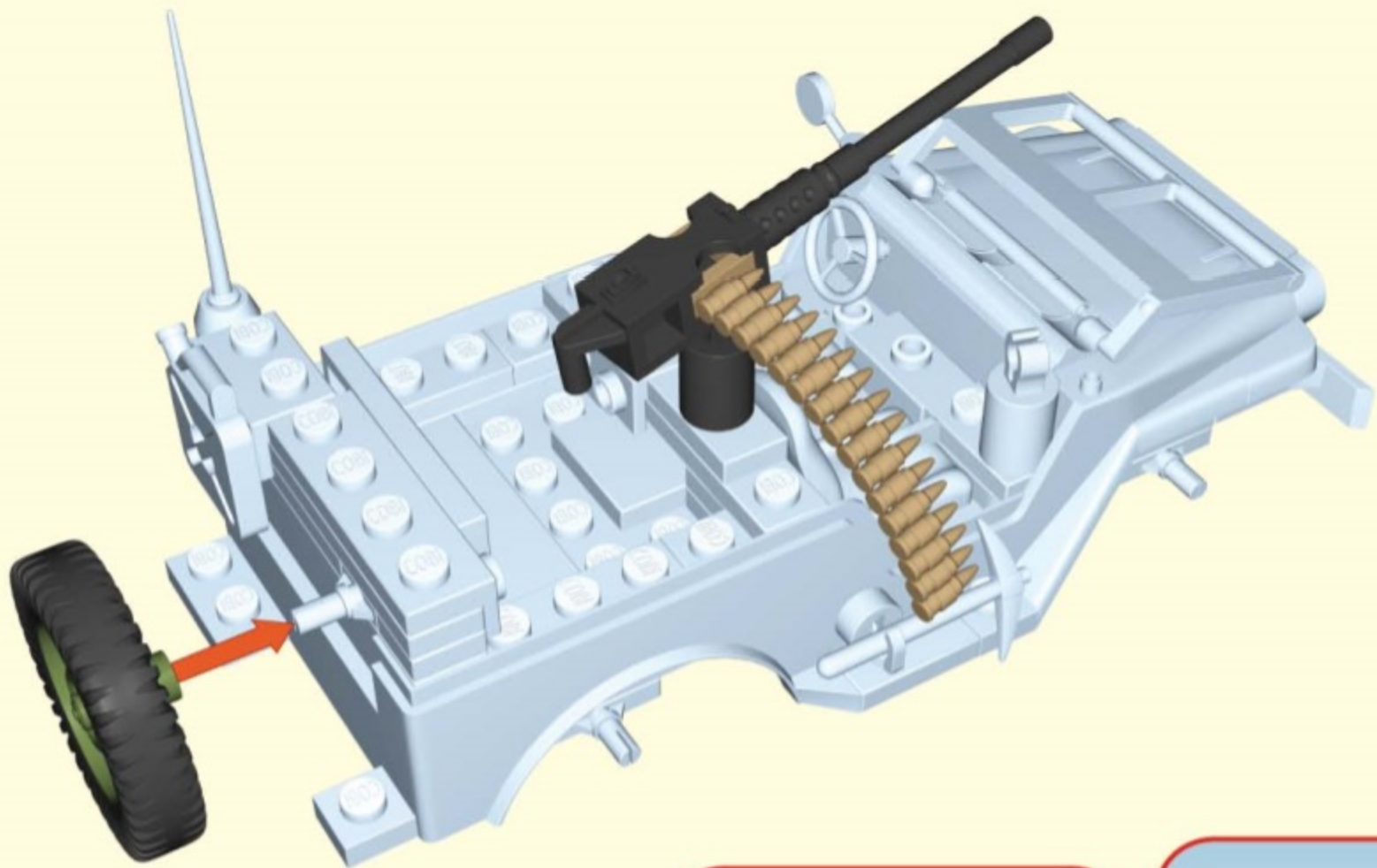
-  **X1**
-  **X1**
-  **X1**
-  **X1**

18

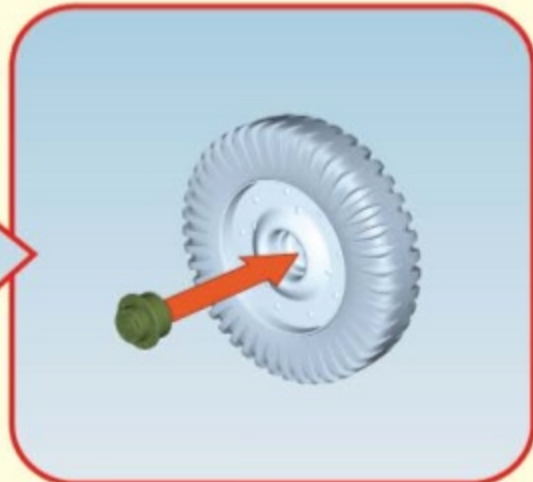


19

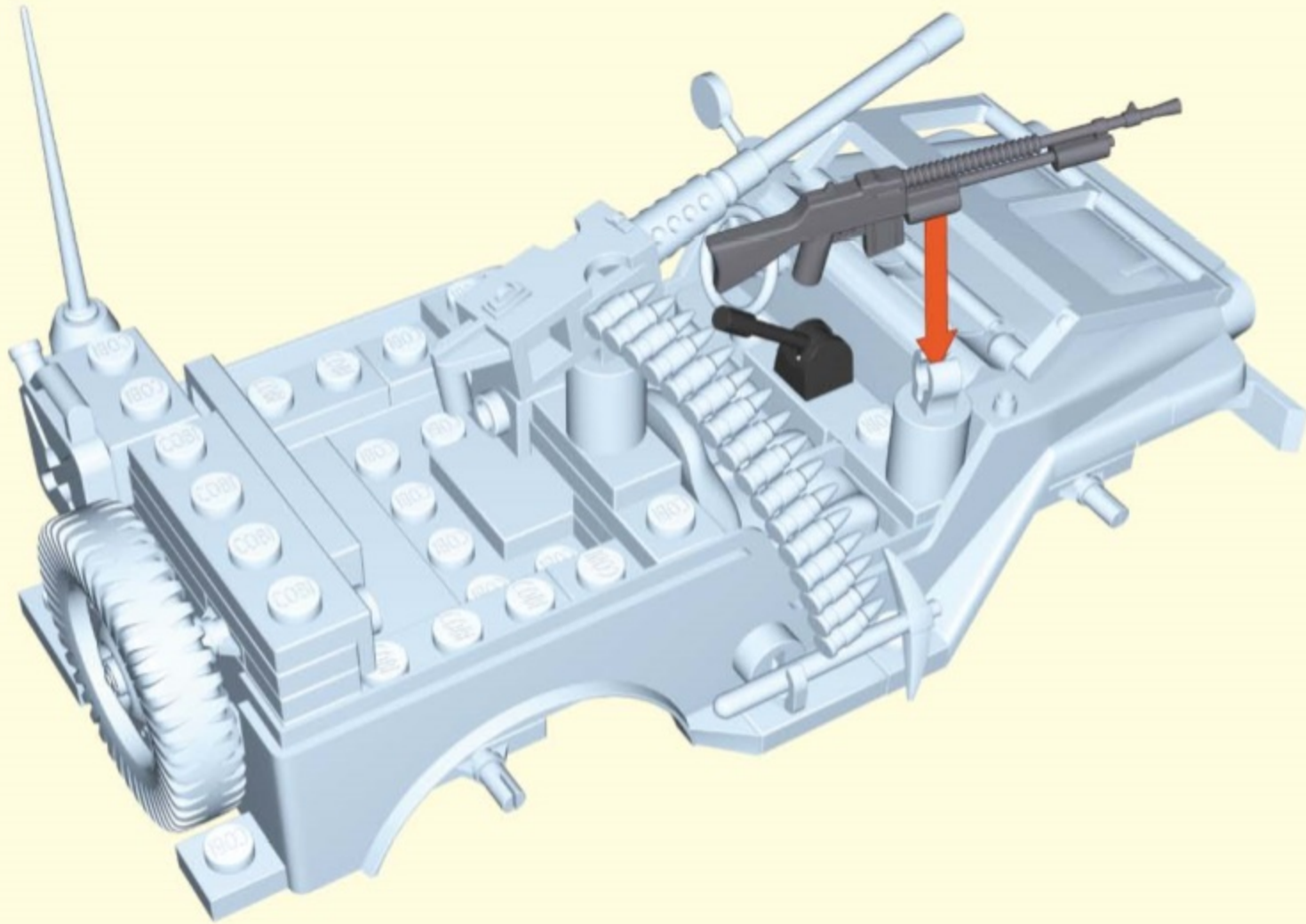


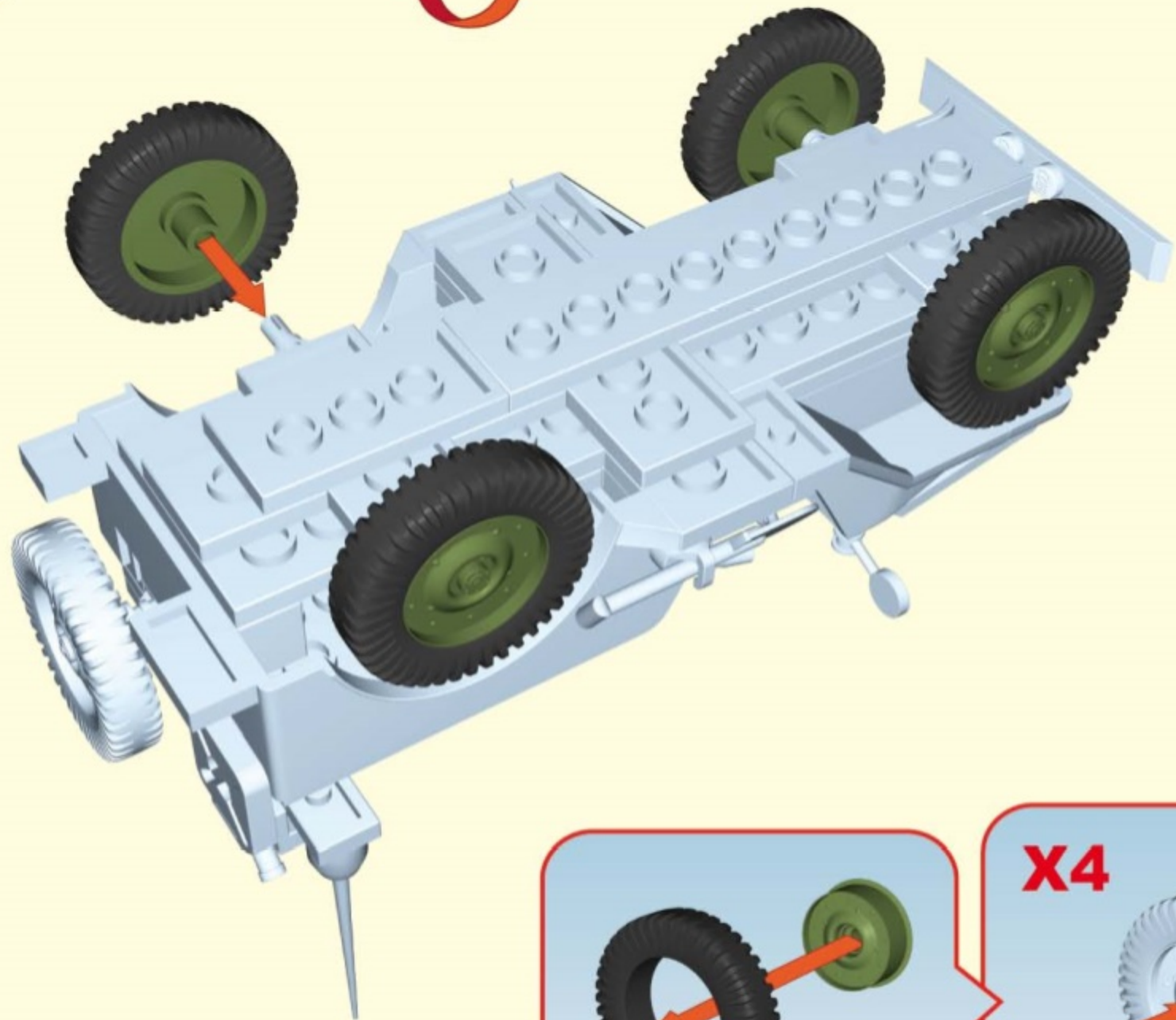


- 
X1
- 
X1
- 
X1

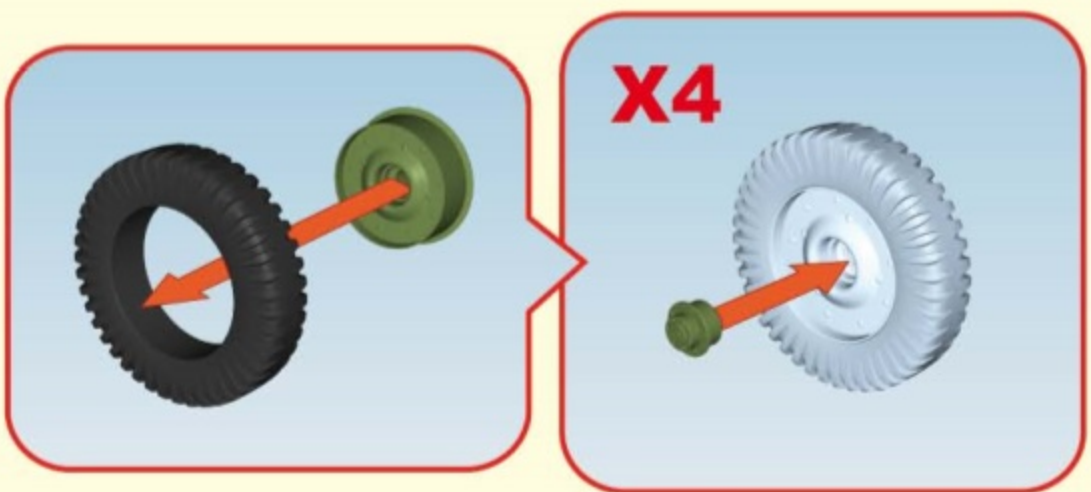


21





-  **X4**
-  **X4**
-  **X4**





24254

24192



JEEP WILLYS MB & 1/4 TON CARGO TRAILER

JEEP WILLYS MB WITH HELICOPTER

24302



WILLYS MB BARRACKS WITH CHECKPOINT

01-24092-84