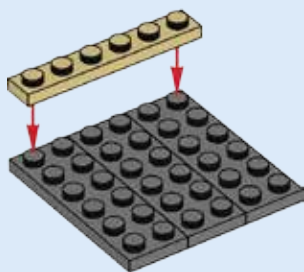
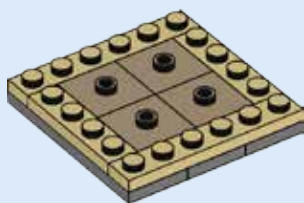




1



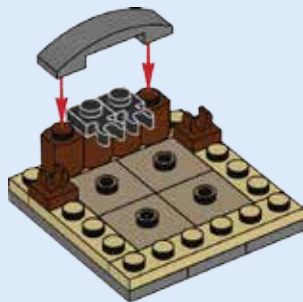
2



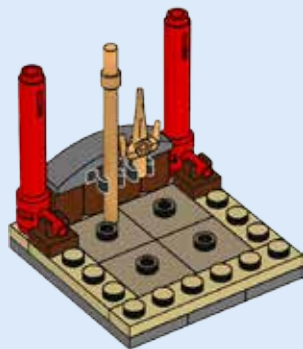
3



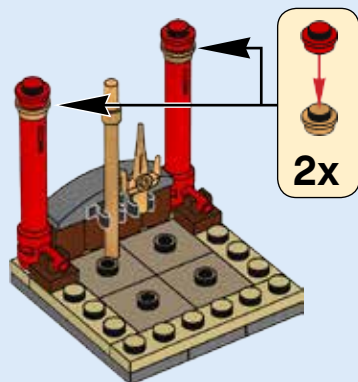
4

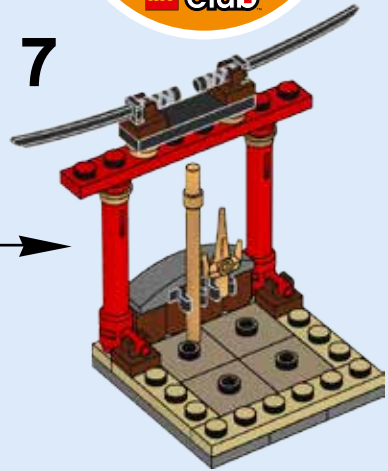
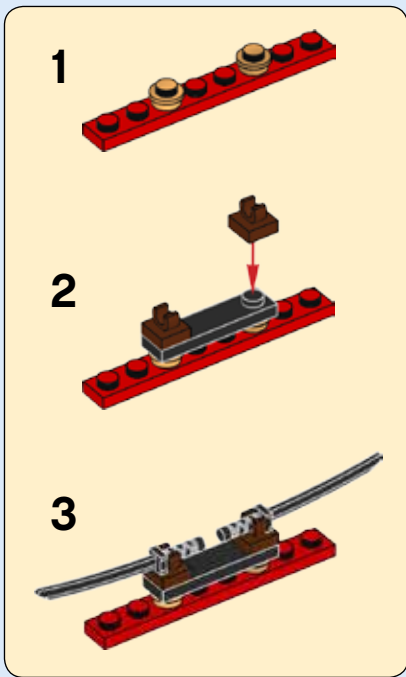


5



6





LEGO.com/service  
 LEGO, the LEGO logo and NINJAGO are trademarks  
 of the LEGO Group. ©2016 The LEGO Group. 6163455

# LEGO NINJAGO™

Masters of Spinjitzu

