



# CREATOR

31045



[LEGO.com/creator](http://LEGO.com/creator)

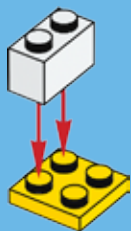


1x



1x

1

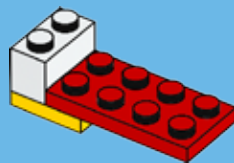


2



1x

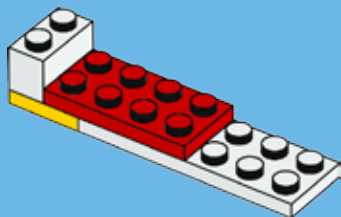
2





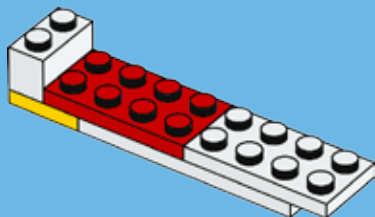
1x

3



1x

4



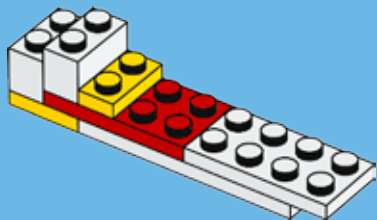


1x



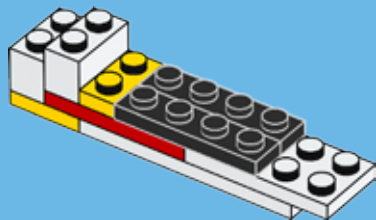
1x

5



2x

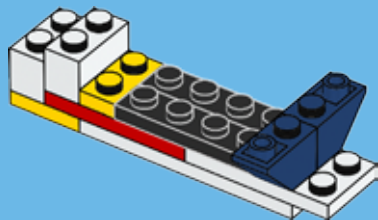
6





2x

7

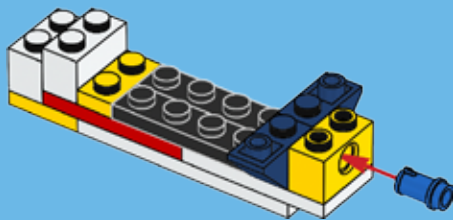


1x



1x

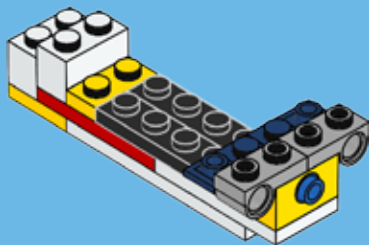
8





2x

9



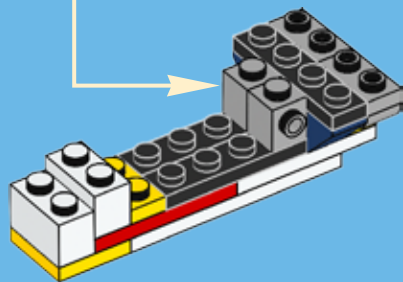
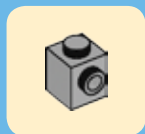


2x



1x

10

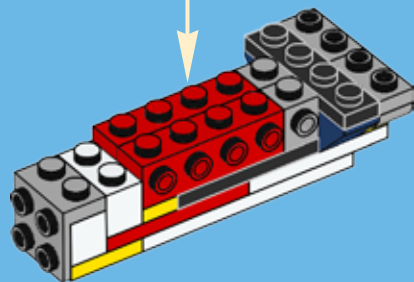


1x



2x

11





1x



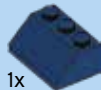
1x



1x



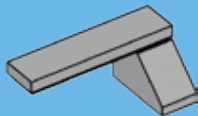
1x



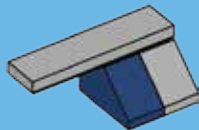
1x

# 12

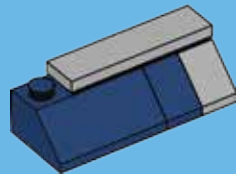
1



2

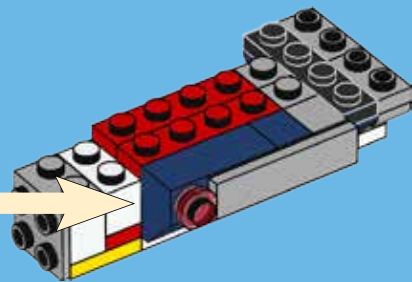
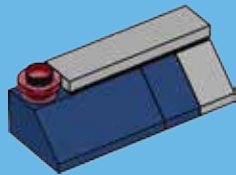


3





4





1x



1x



1x



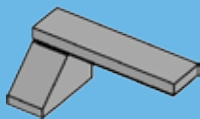
1x



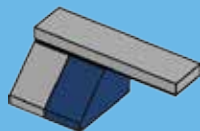
1x

# 13

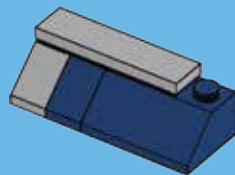
1



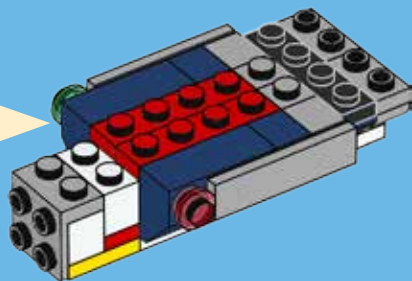
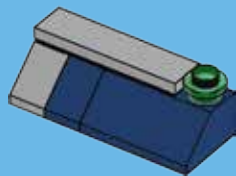
2



3



4





1x



1x



1x



1x



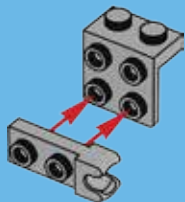
1x



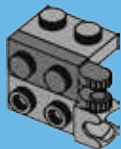
1x

# 14

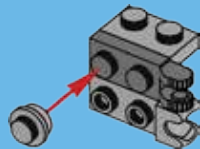
1



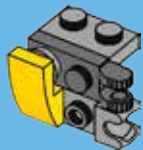
2



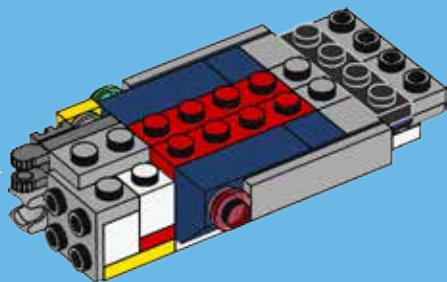
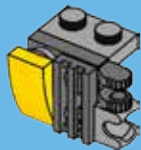
3



4



5





1x



1x



1x



1x



1x



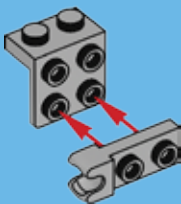
1x



1x

# 15

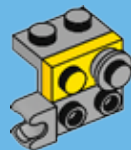
1



2



3



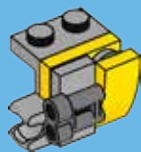
4

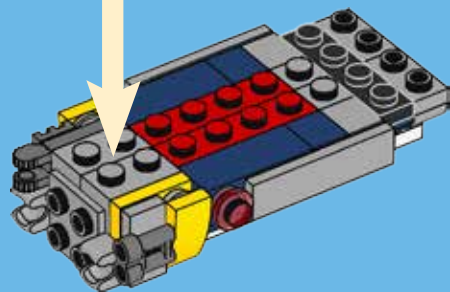


5



6



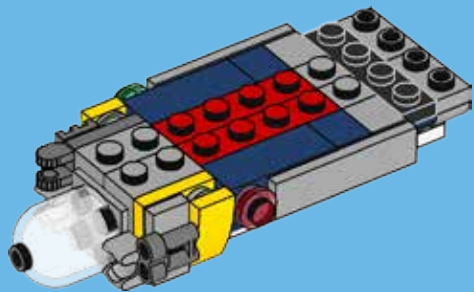






1x

16

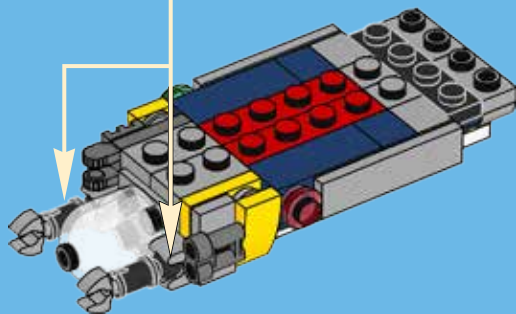
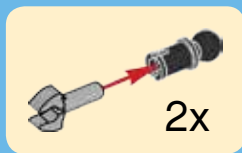


2x



2x

17





1x



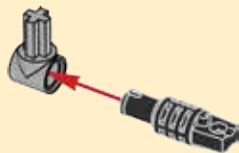
1x



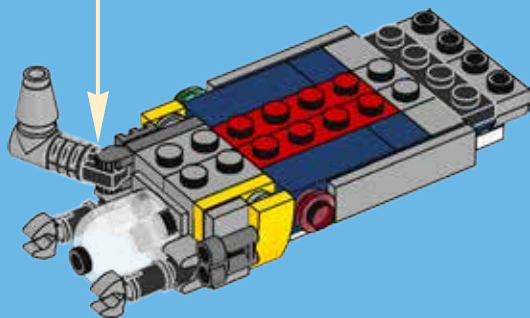
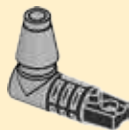
1x

# 18

1



2



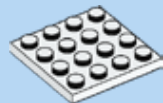
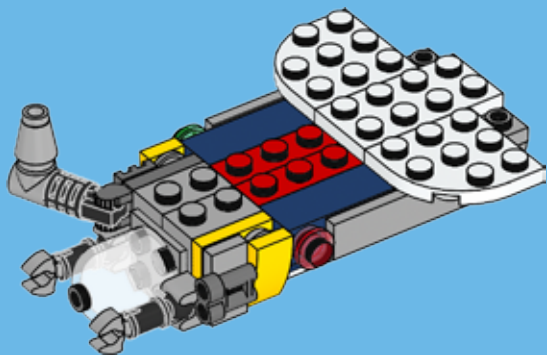


1x



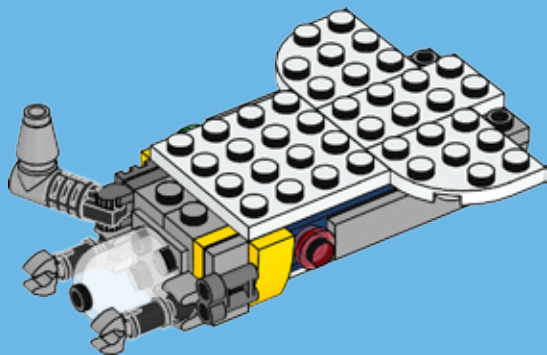
2x

19



1x

20



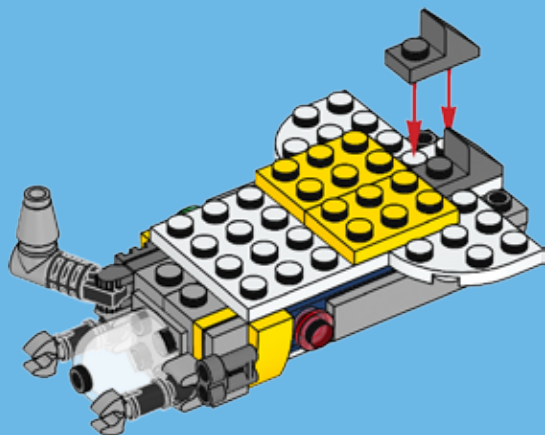


2x



2x

# 21



20

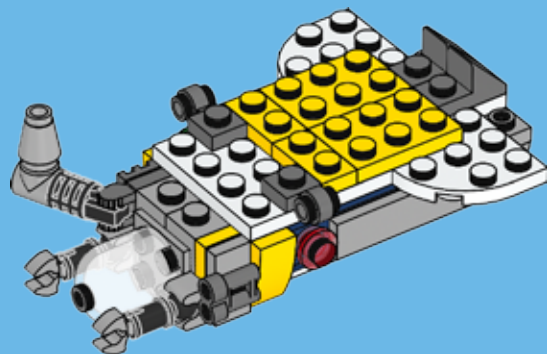


2x



2x

# 22





1x



2x



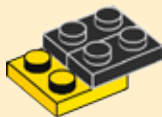
1x

# 23

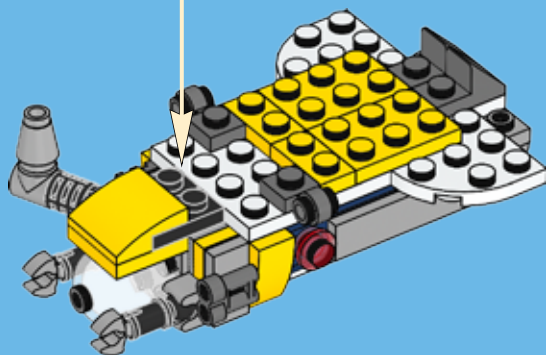
1



2



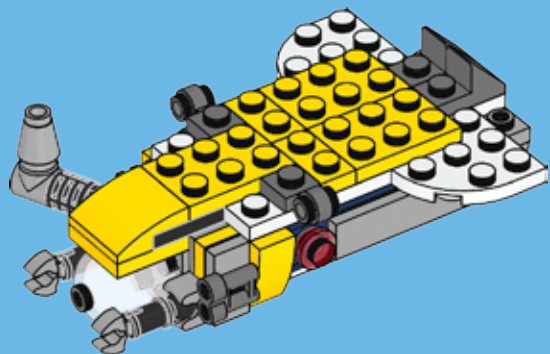
3





1x

# 24

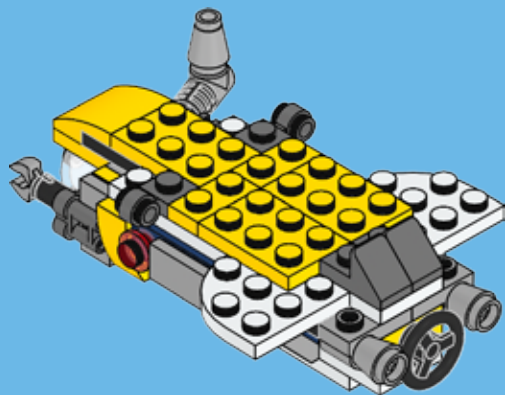


2x



1x

# 25





1x

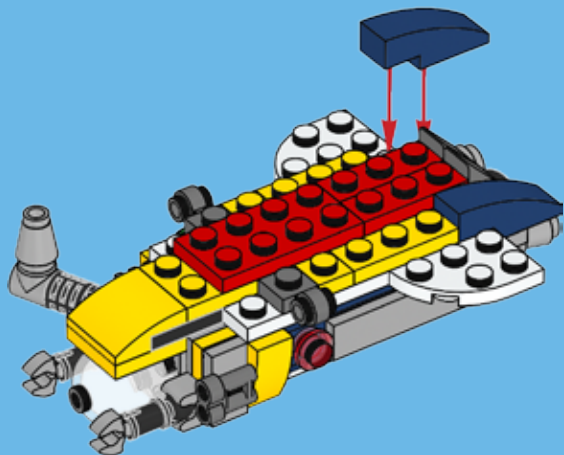


2x



2x

# 26

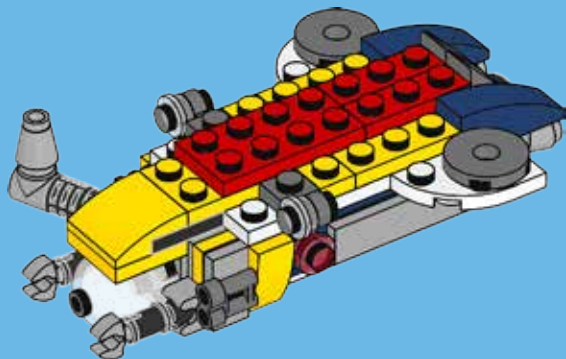


2x



2x

# 27



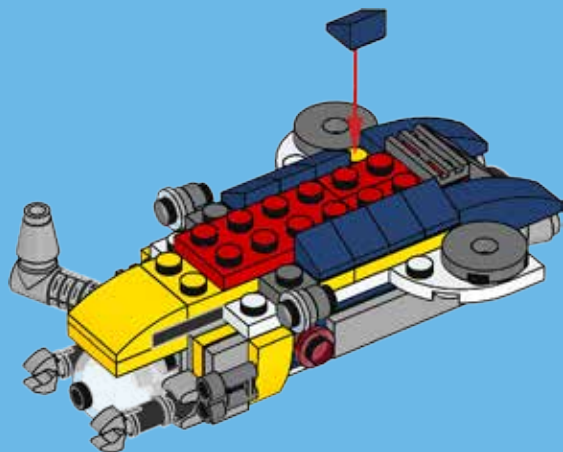


1x



8x

# 28





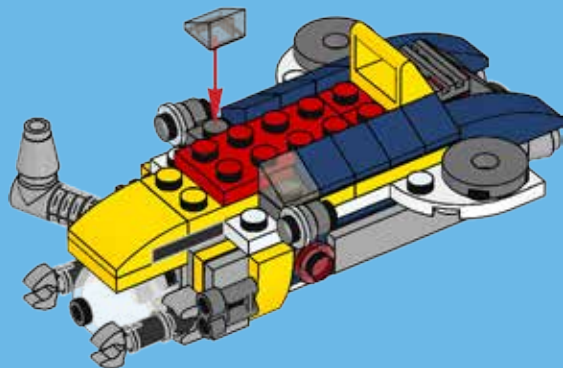


2x



1x

# 29

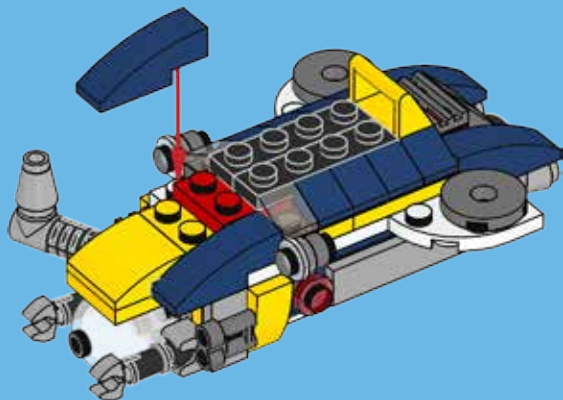


2x



2x

# 30





1x

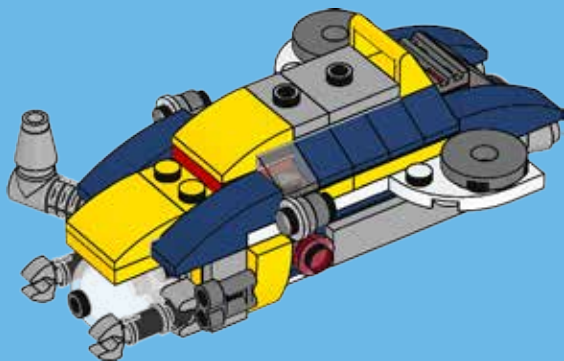


1x



1x

# 31





2x

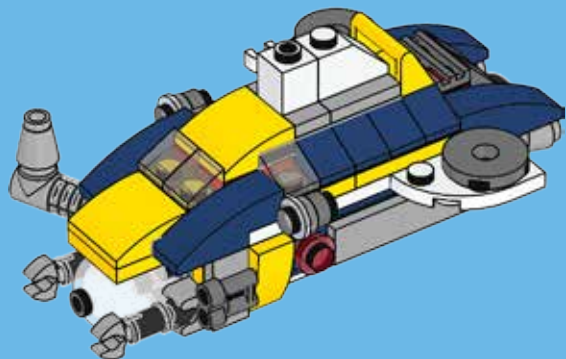


1x



1x

# 32

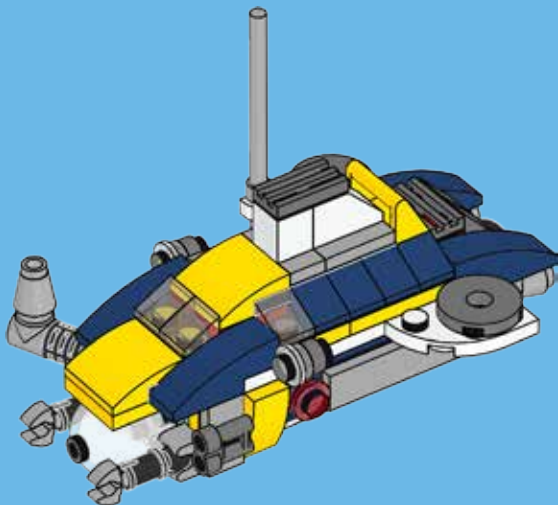


1x



1x

# 33





# CREATOR



[LEGO.com/creator](http://LEGO.com/creator) 



Apple, the Apple logo, iPad, iPhone and iPod touch are trademarks of Apple Inc., registered in the U.S. and other countries. App Store is a service mark of Apple Inc. Google Play is a trademark of Google Inc.

LEGO and the LEGO logo are trademarks of the LEGO Group. ©2016 The LEGO Group.

6146026