



SPORTS

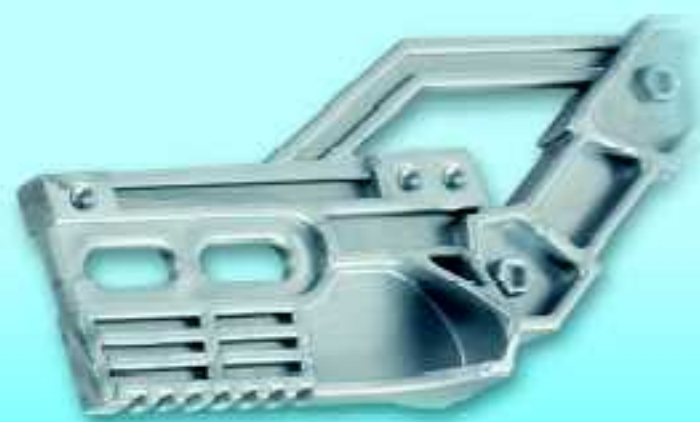
3544



4224110



3540



3541

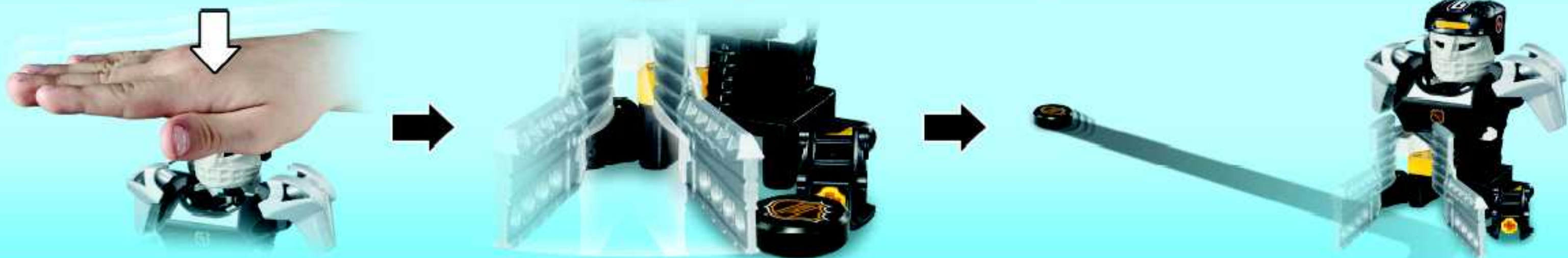


3542



3543





3540 Puck Passer



3541 Slap Shot



3542 Flip Shot



3543 Slammer Goalie



3544 Game Set

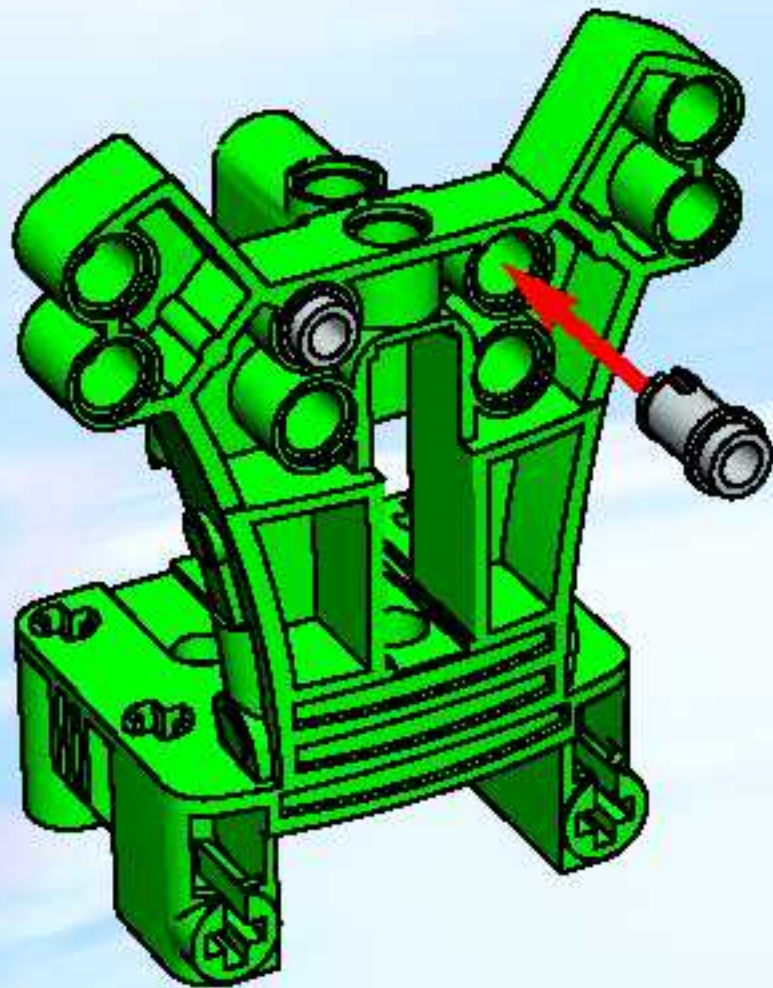


3545 Puck Feeder

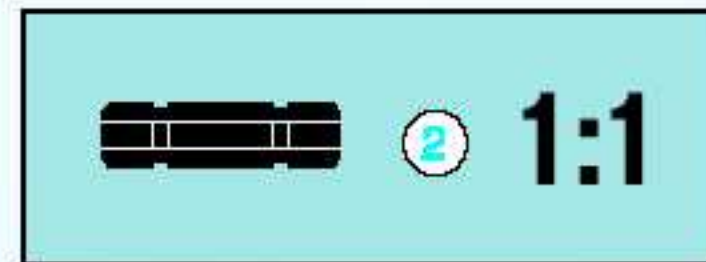
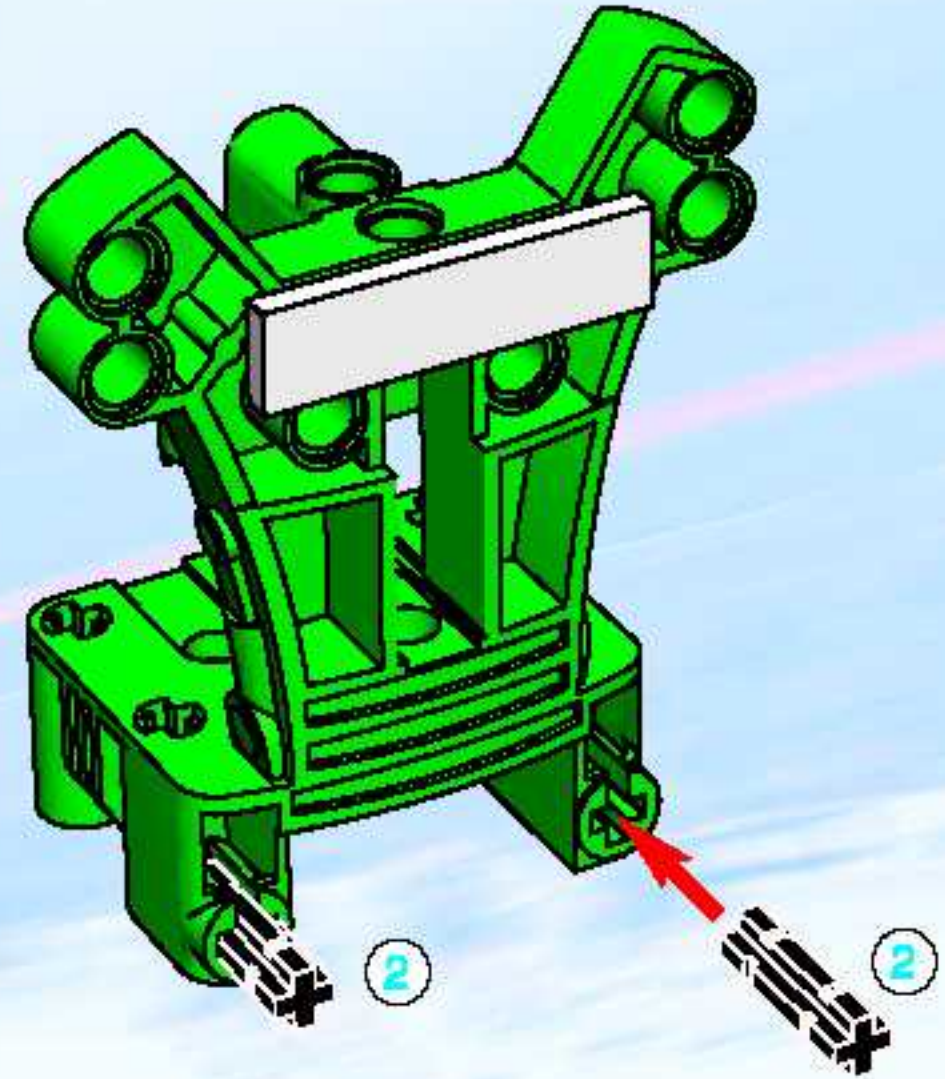




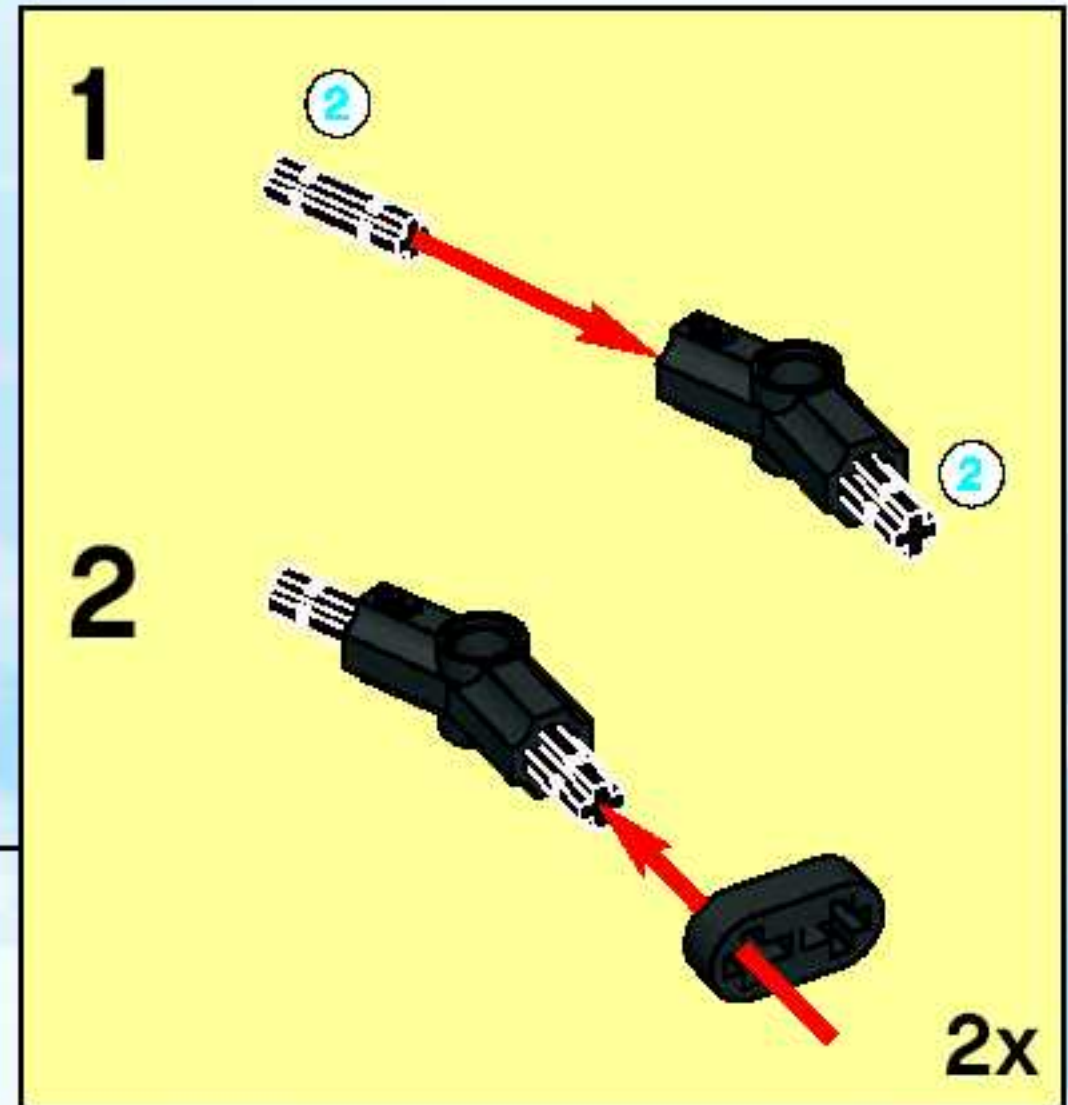
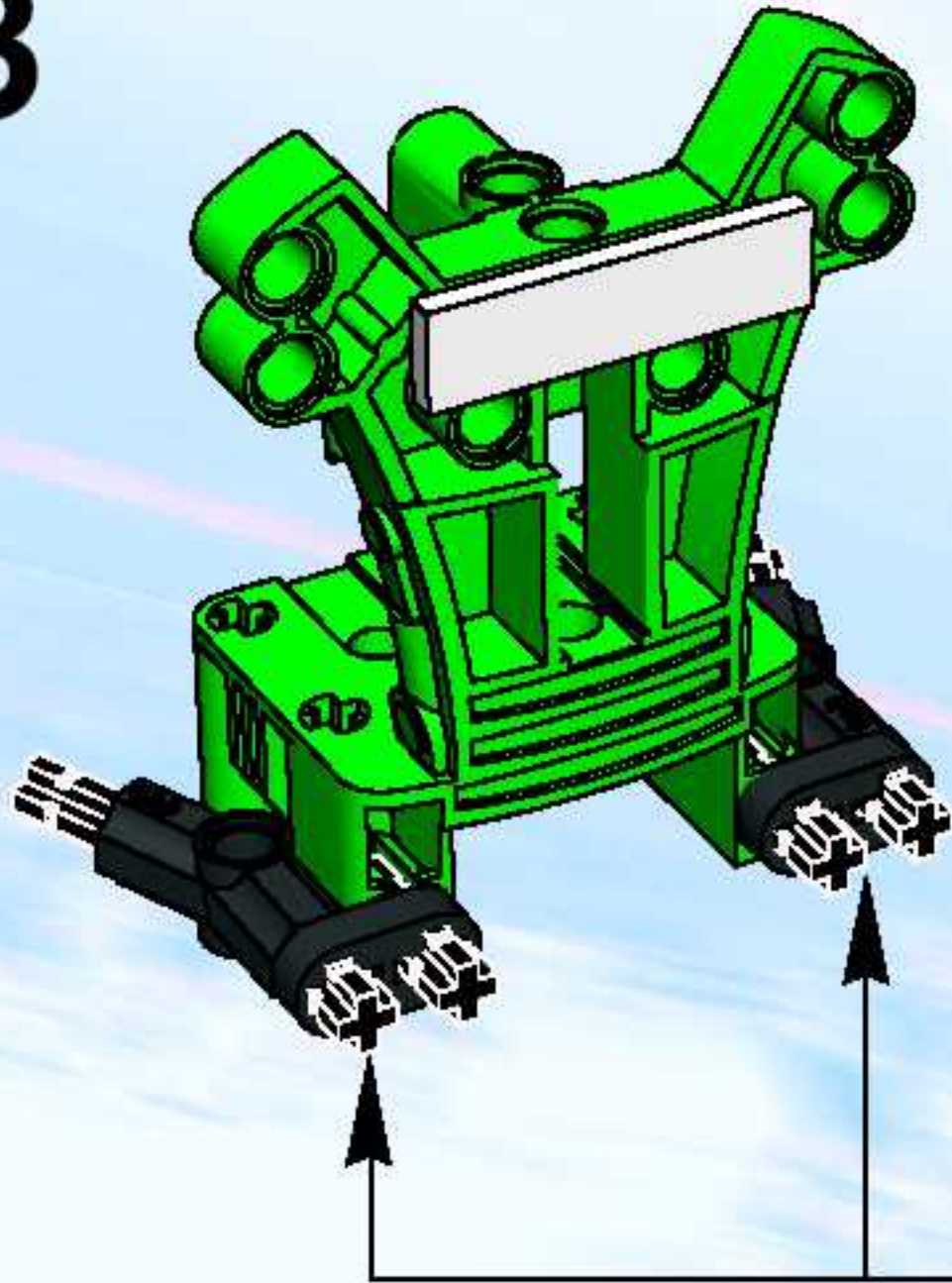
1



2

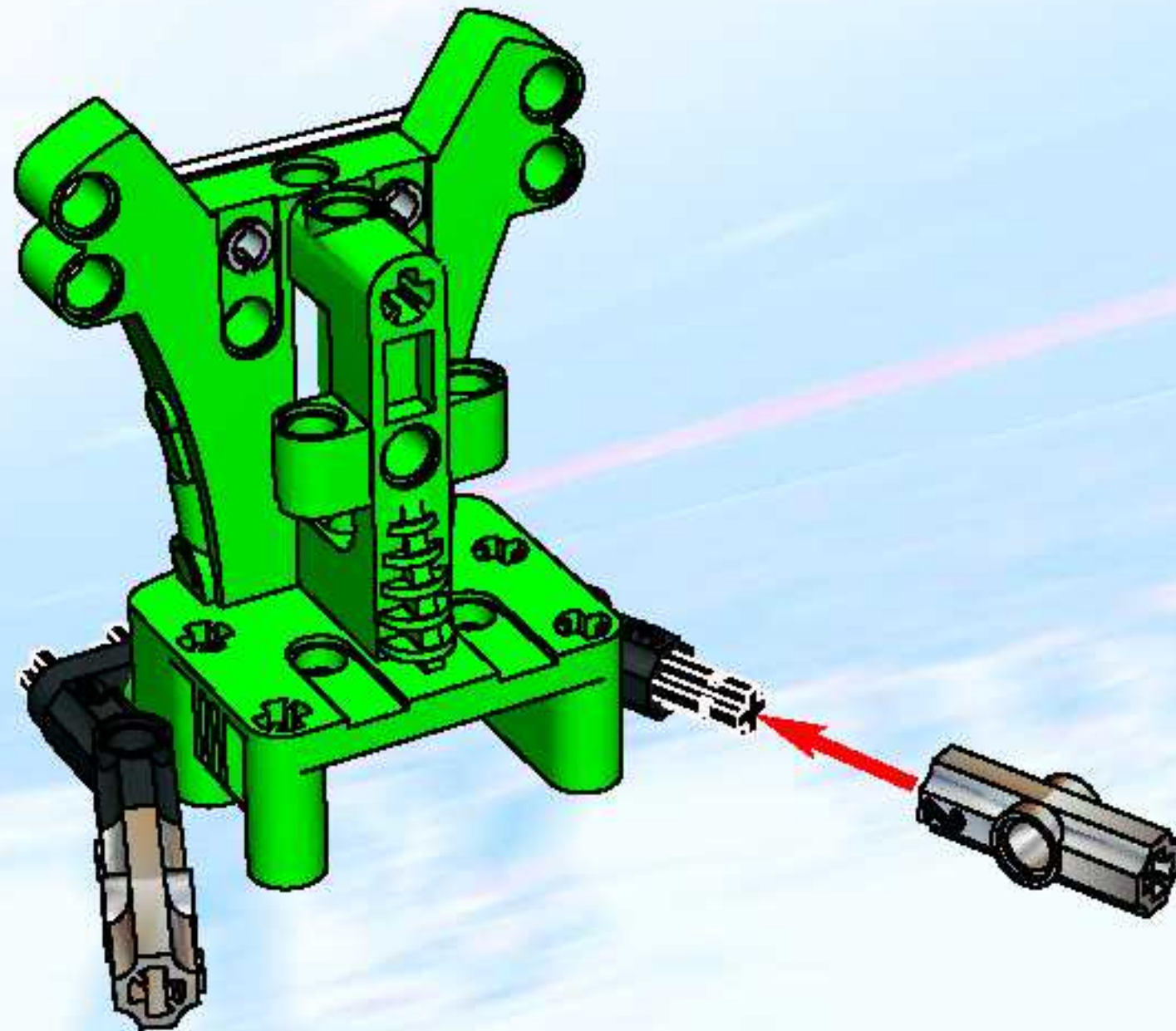


3

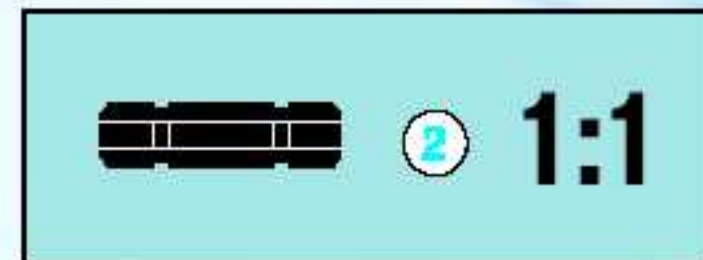
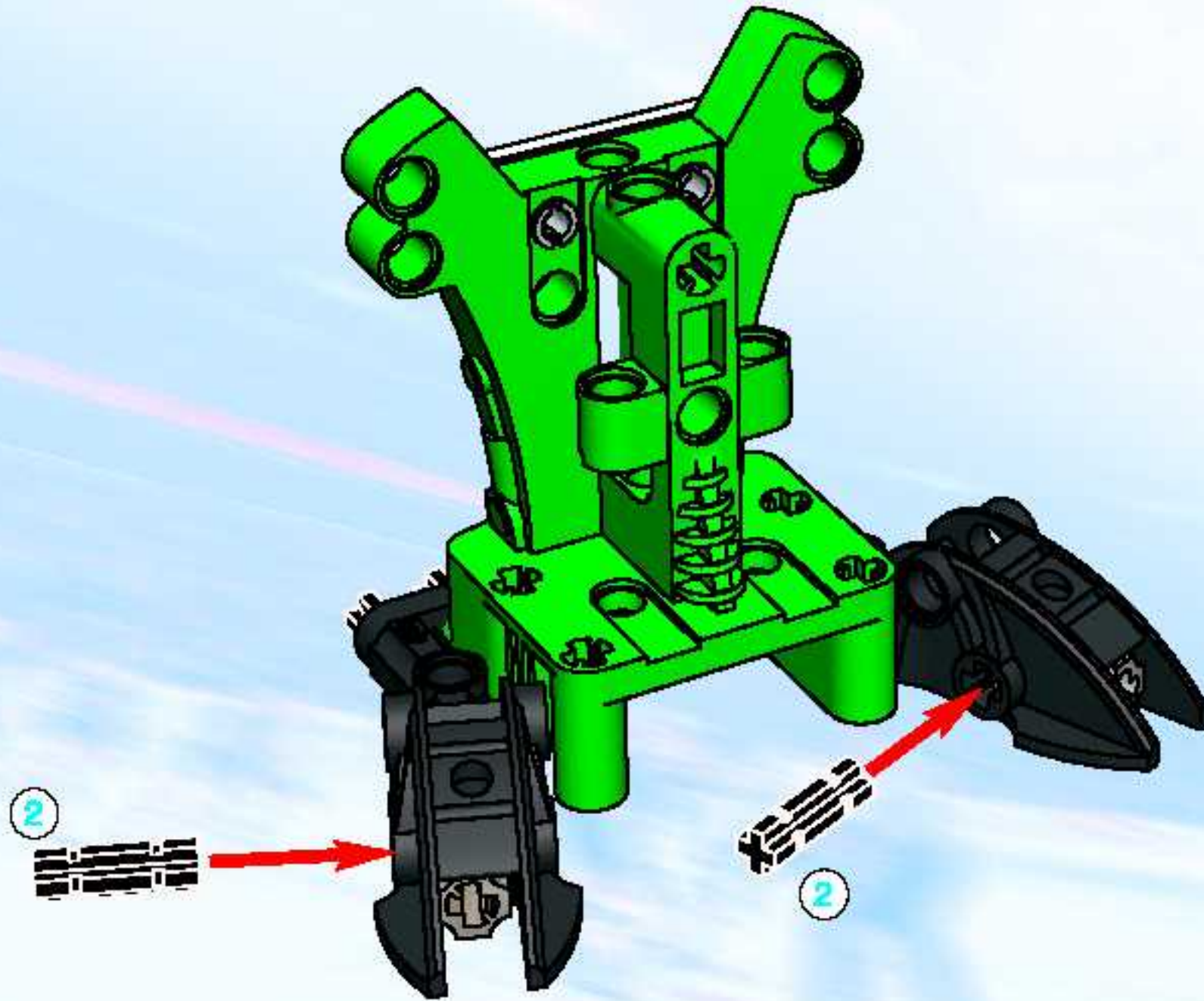




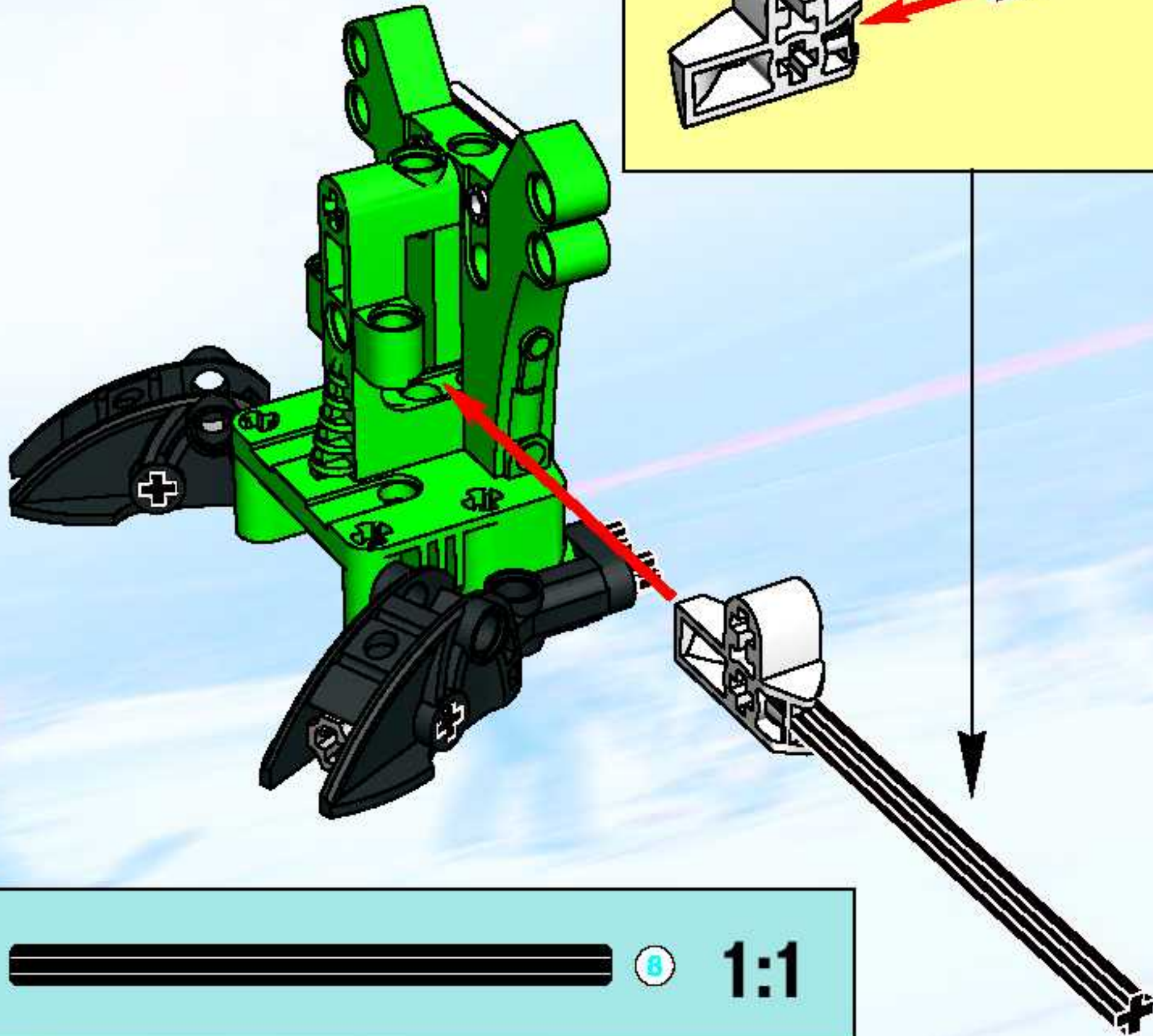
4



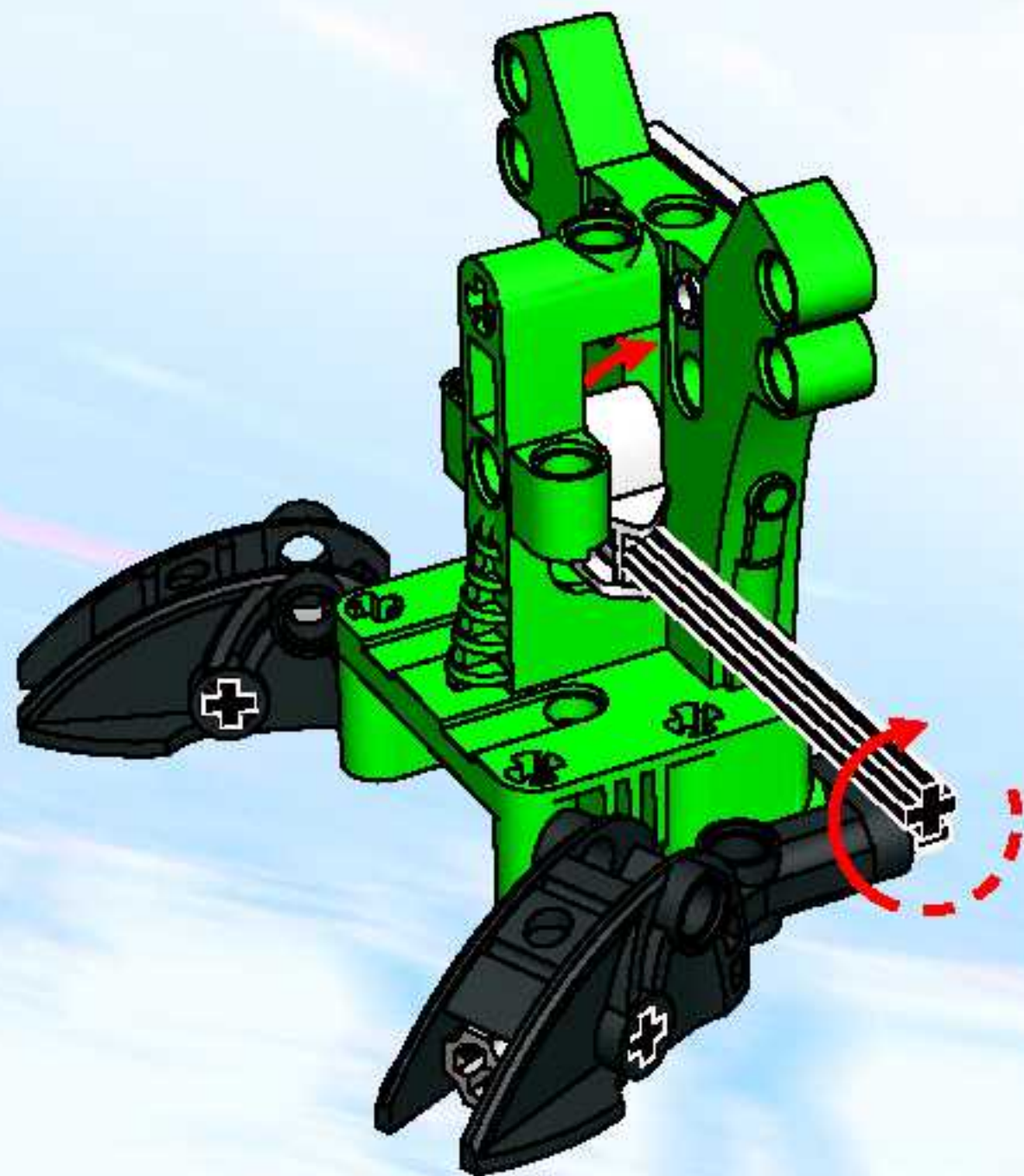
5



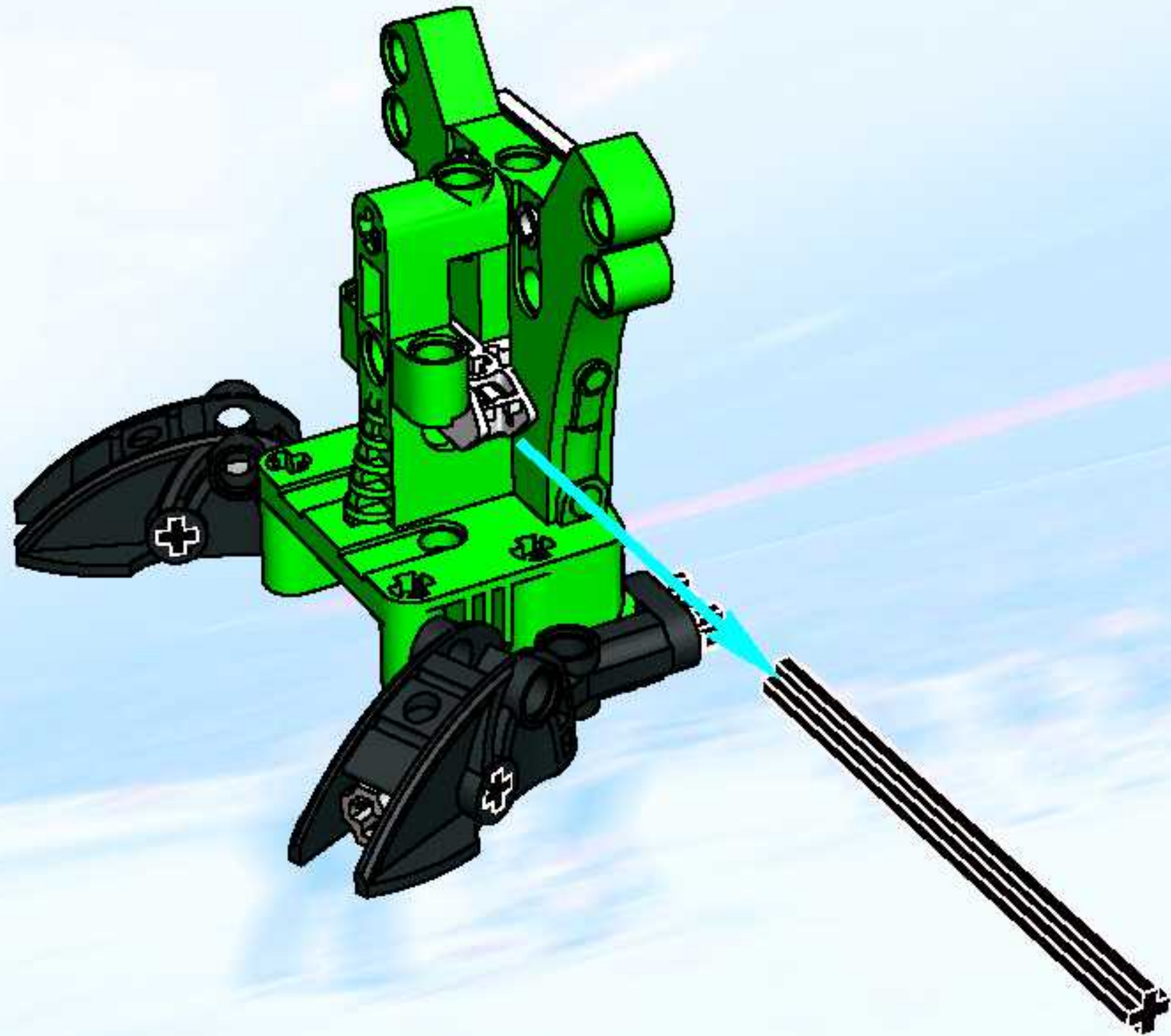
6



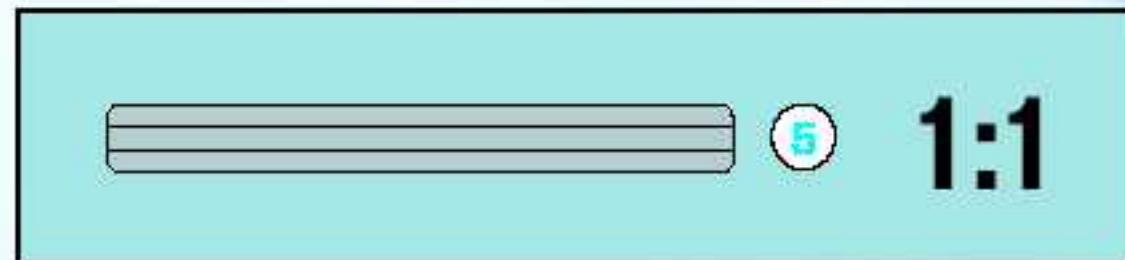
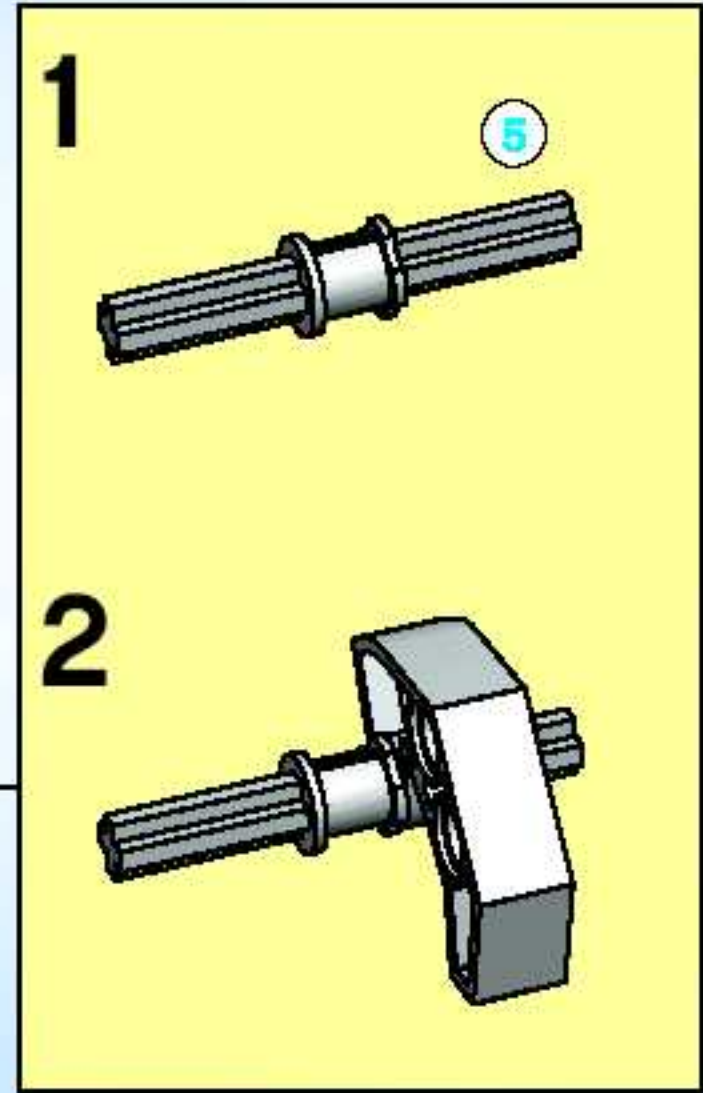
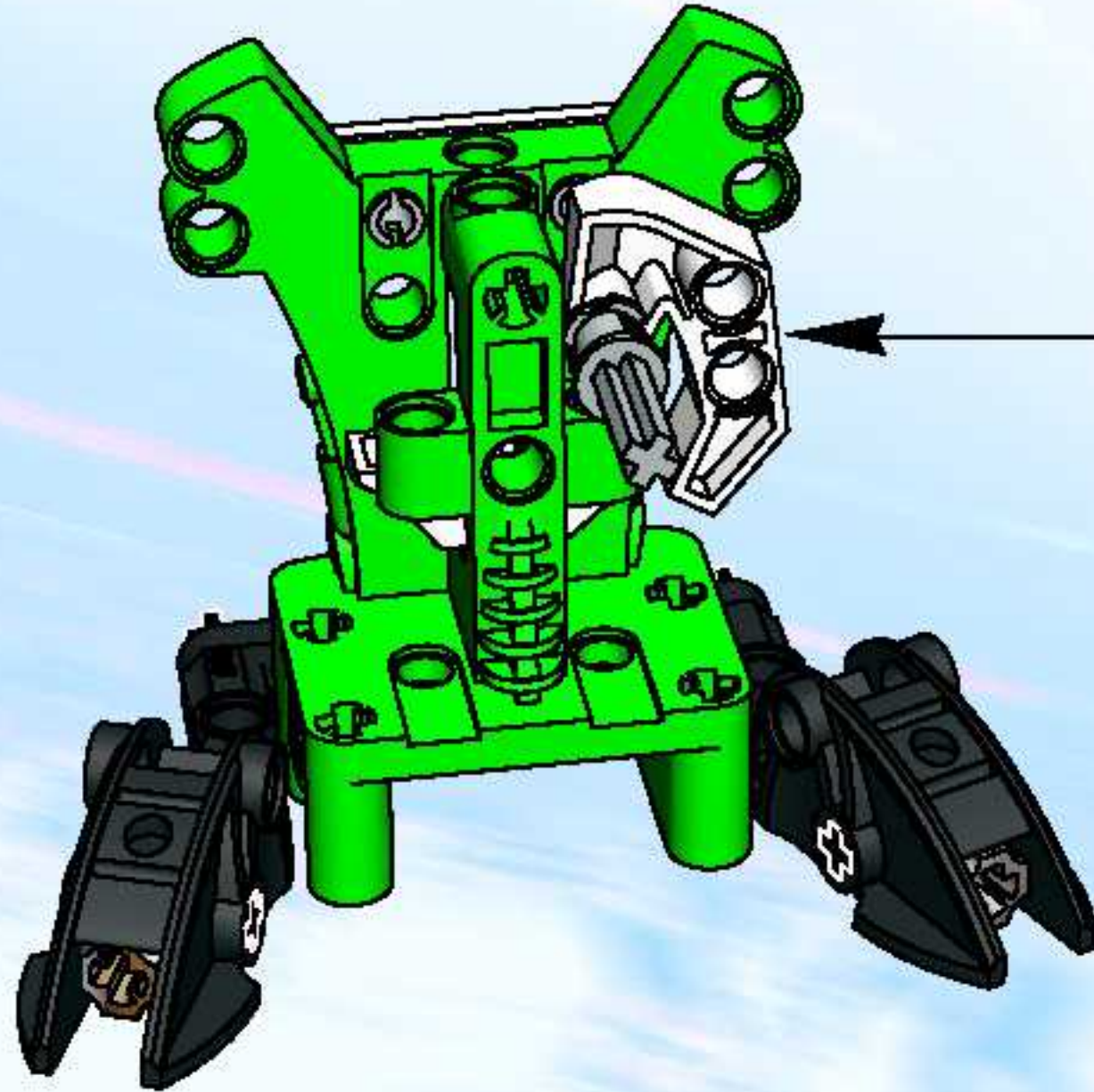
7



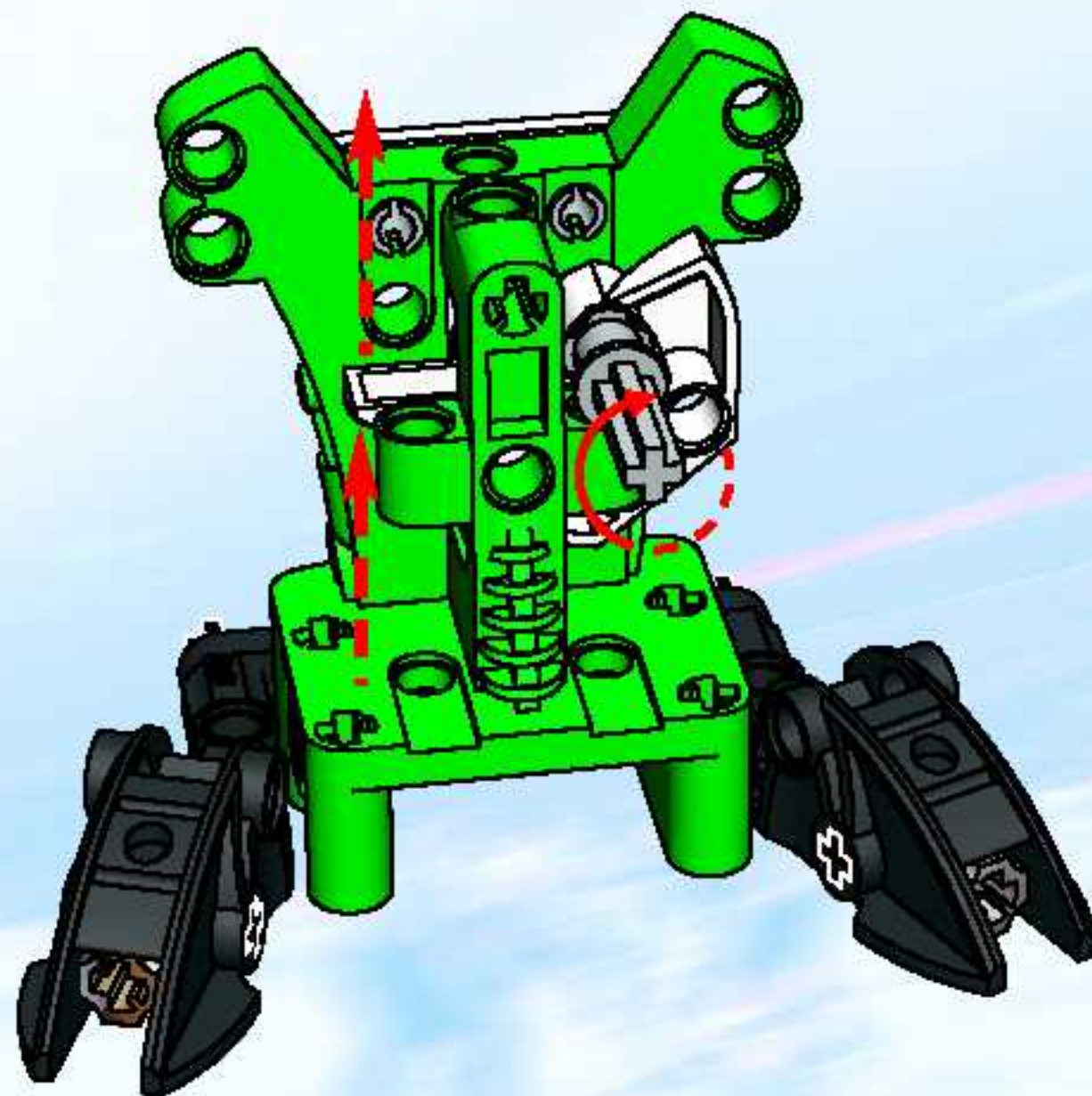
8



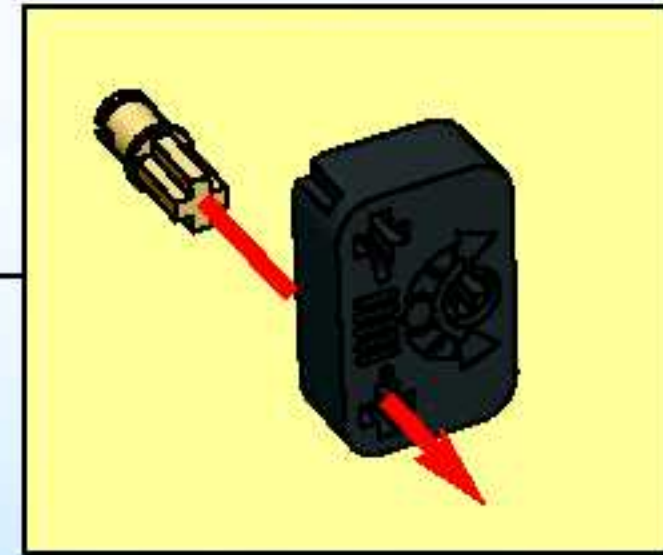
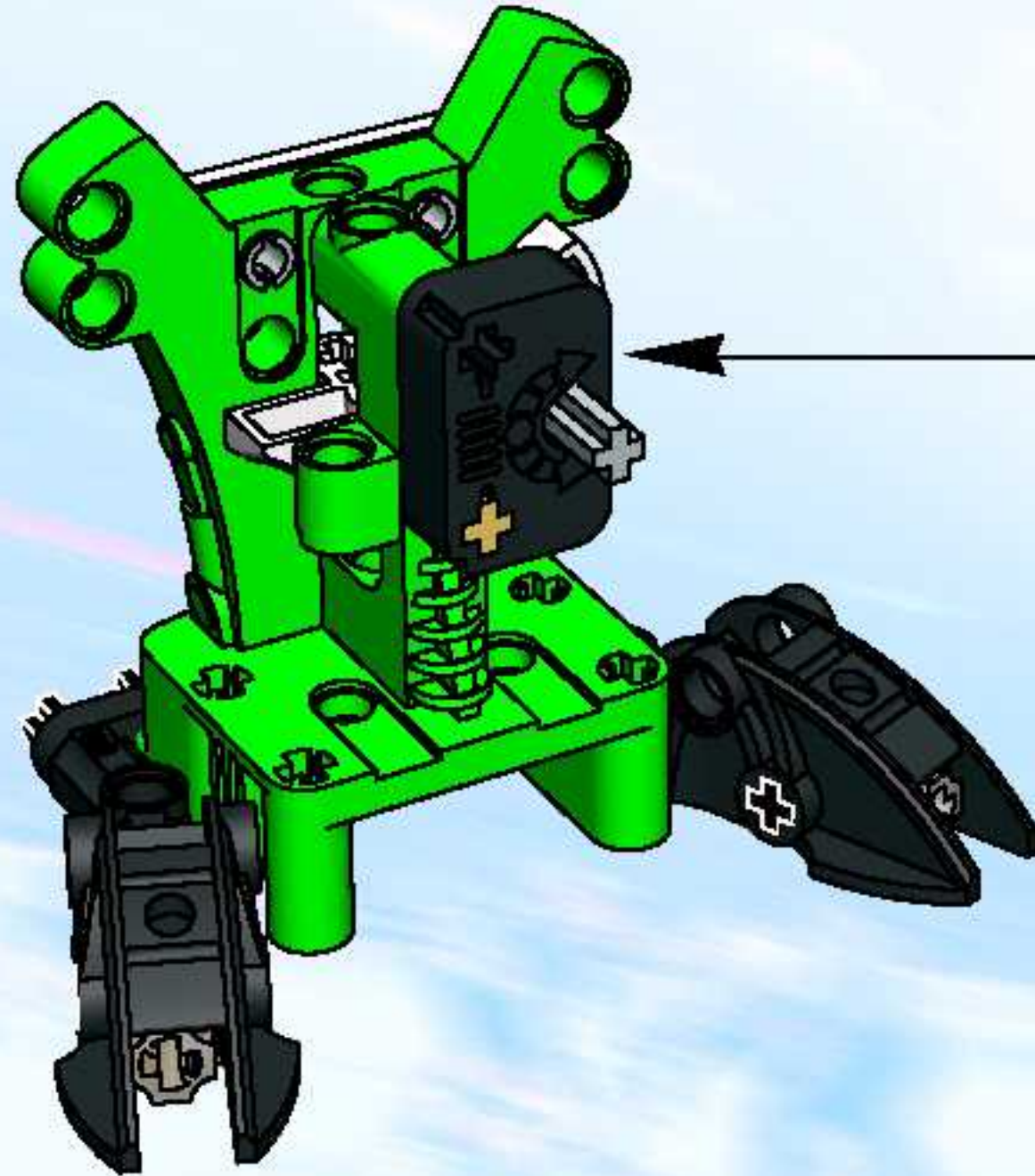
9



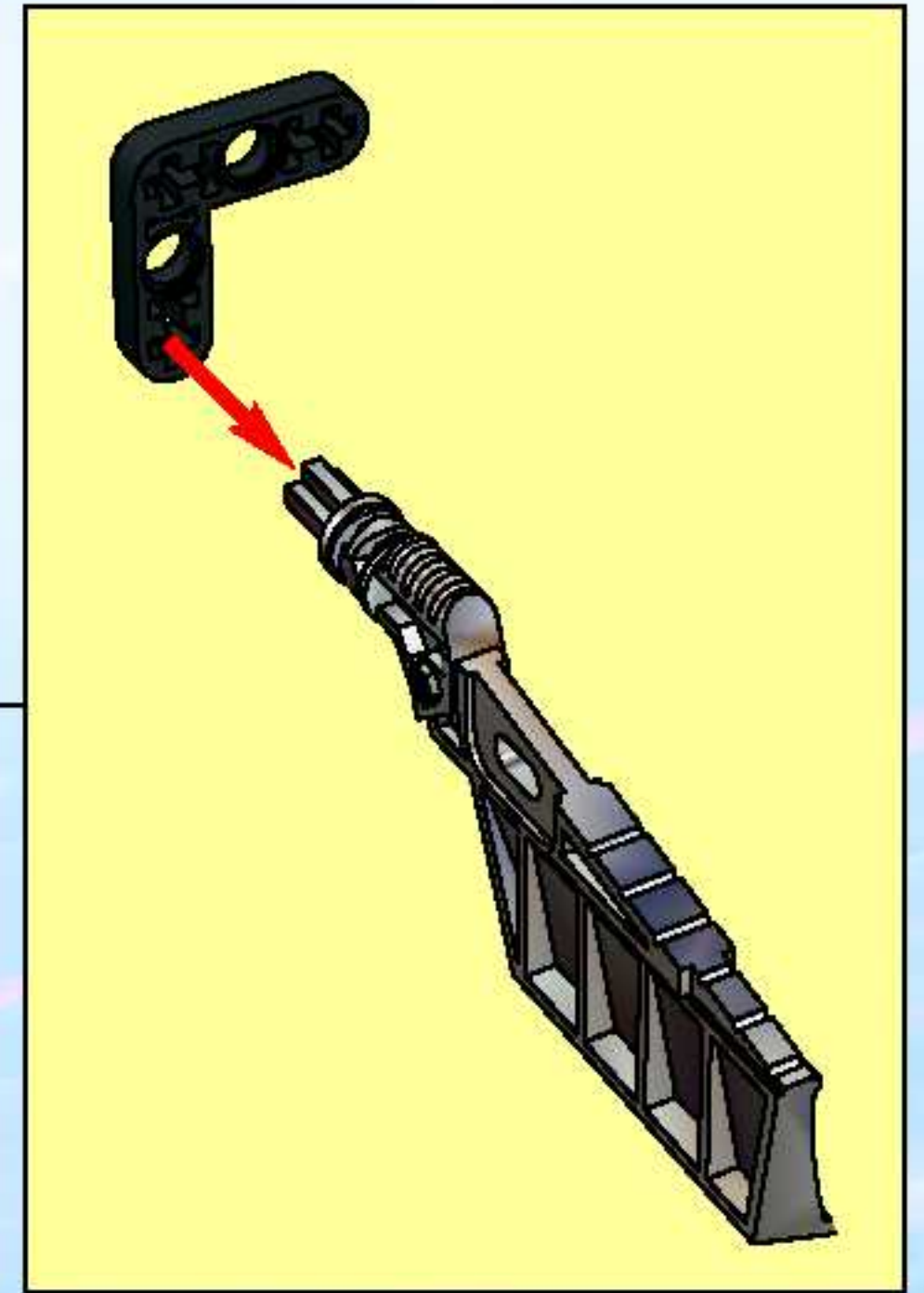
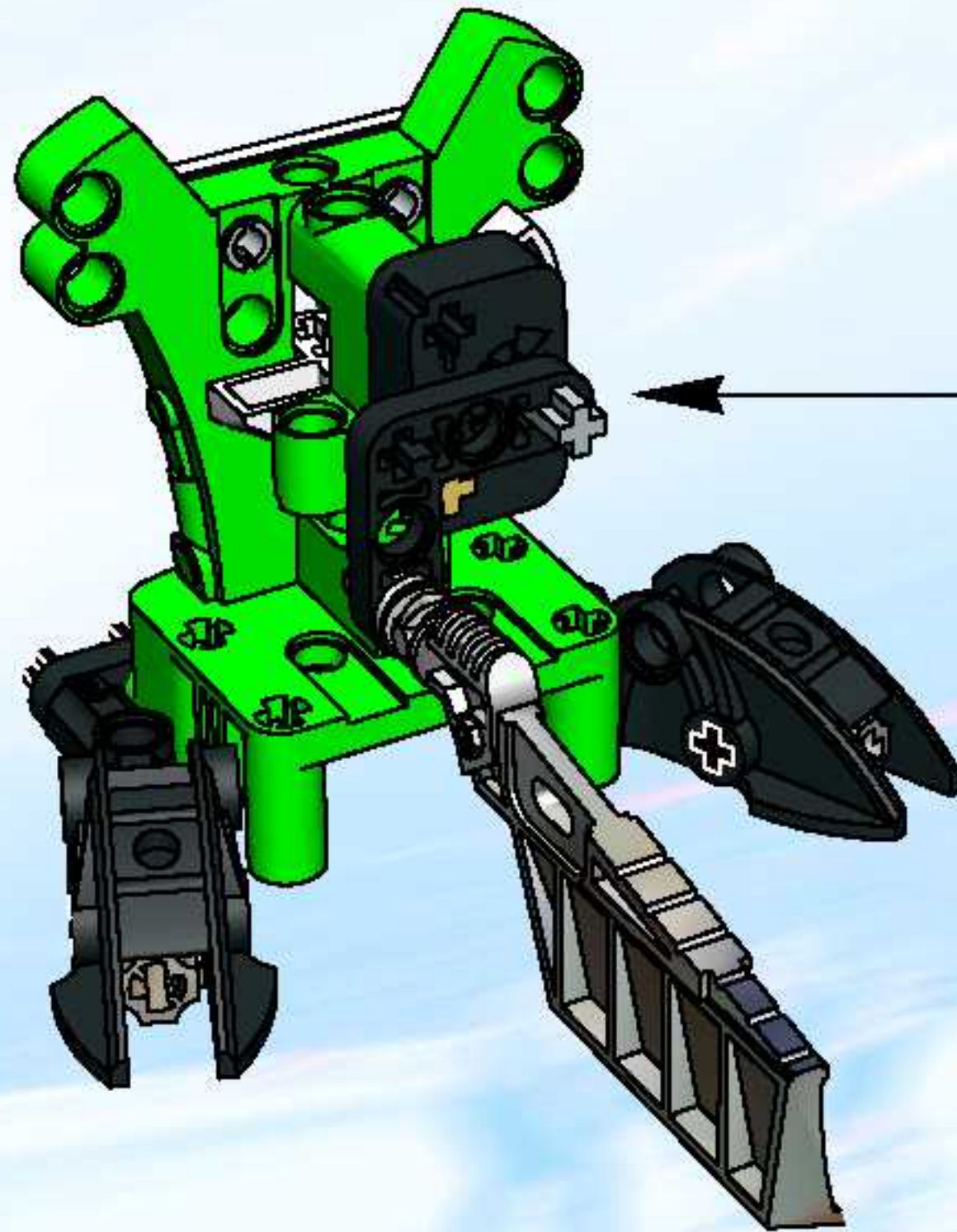
10

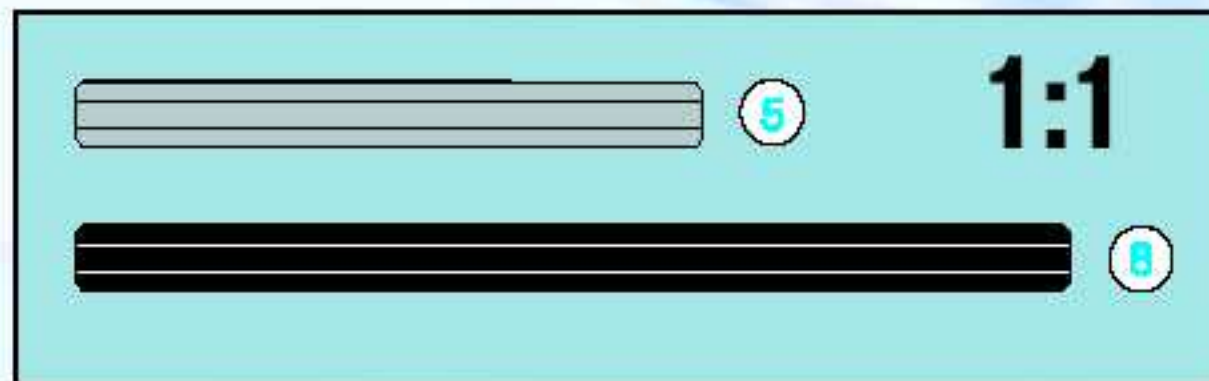
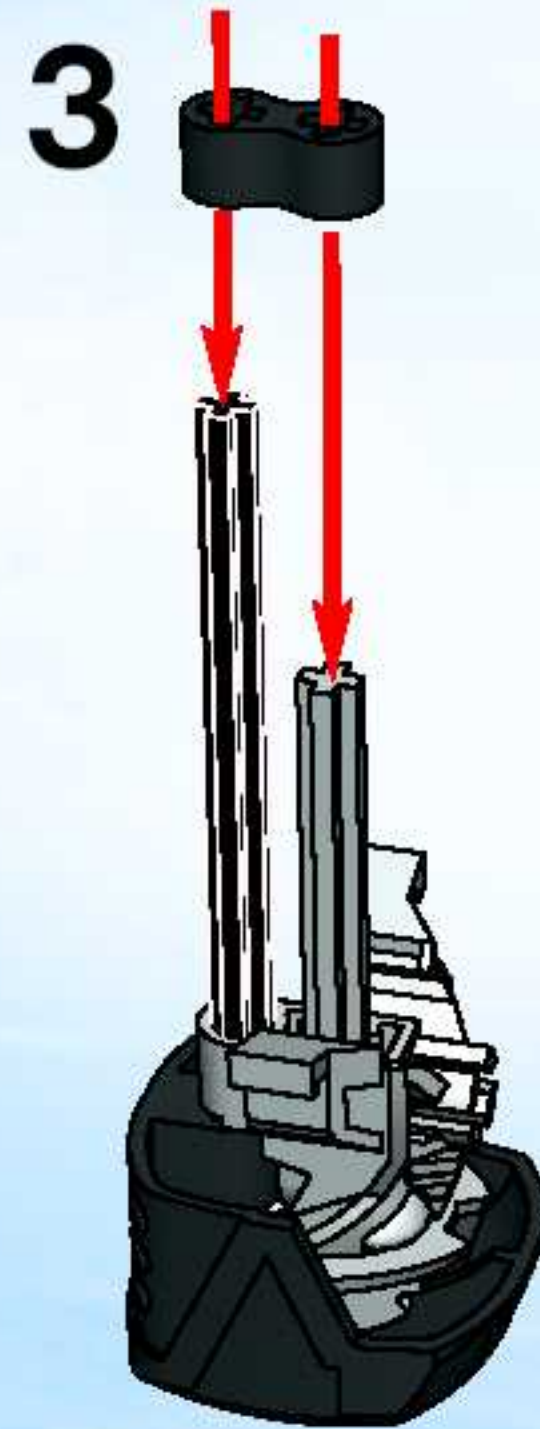
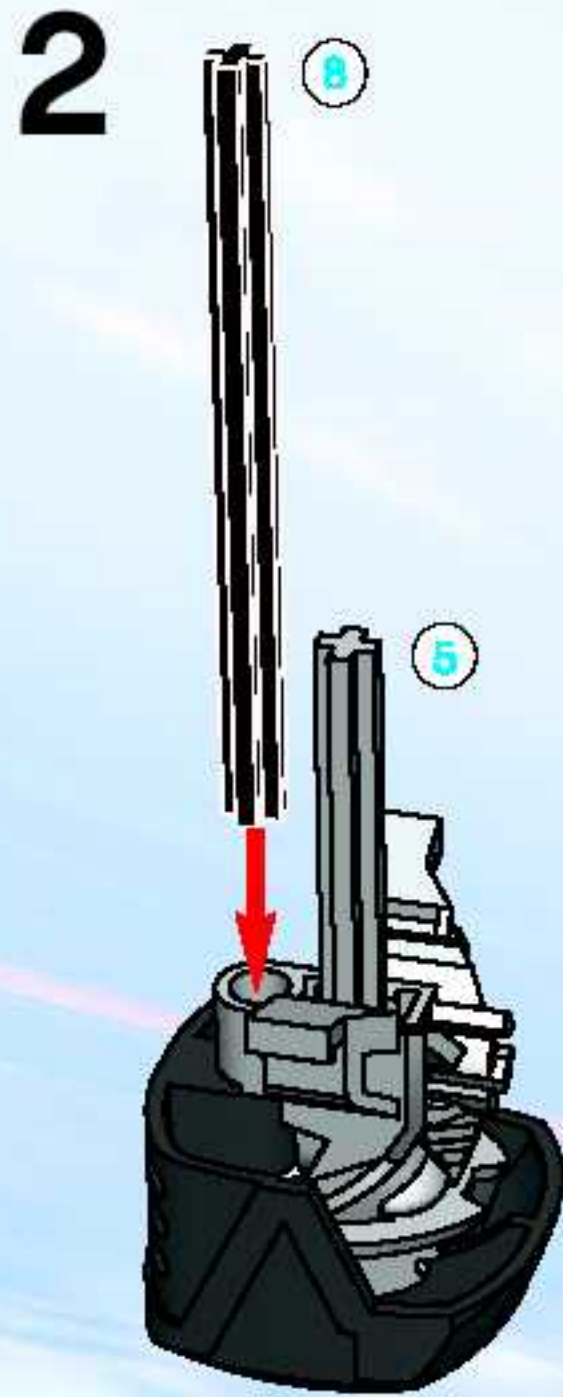
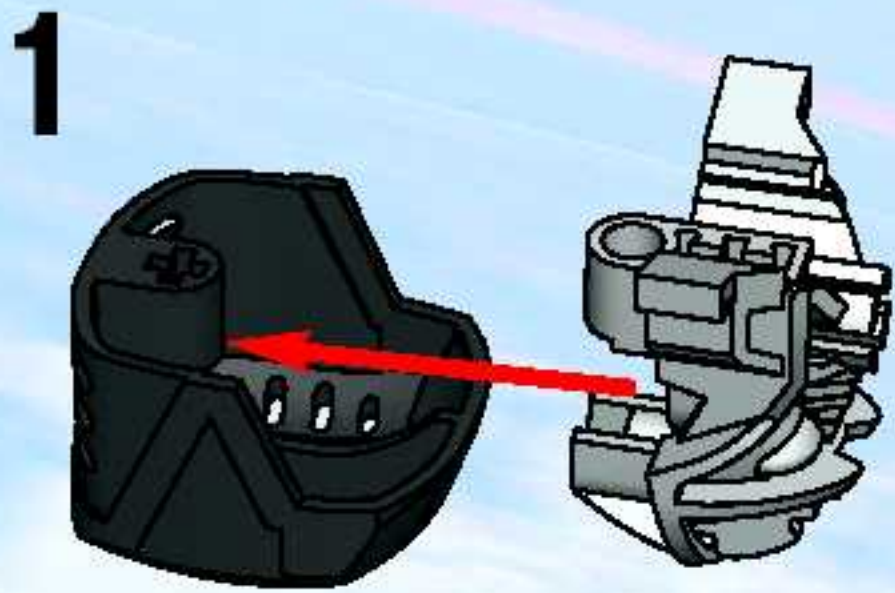


11

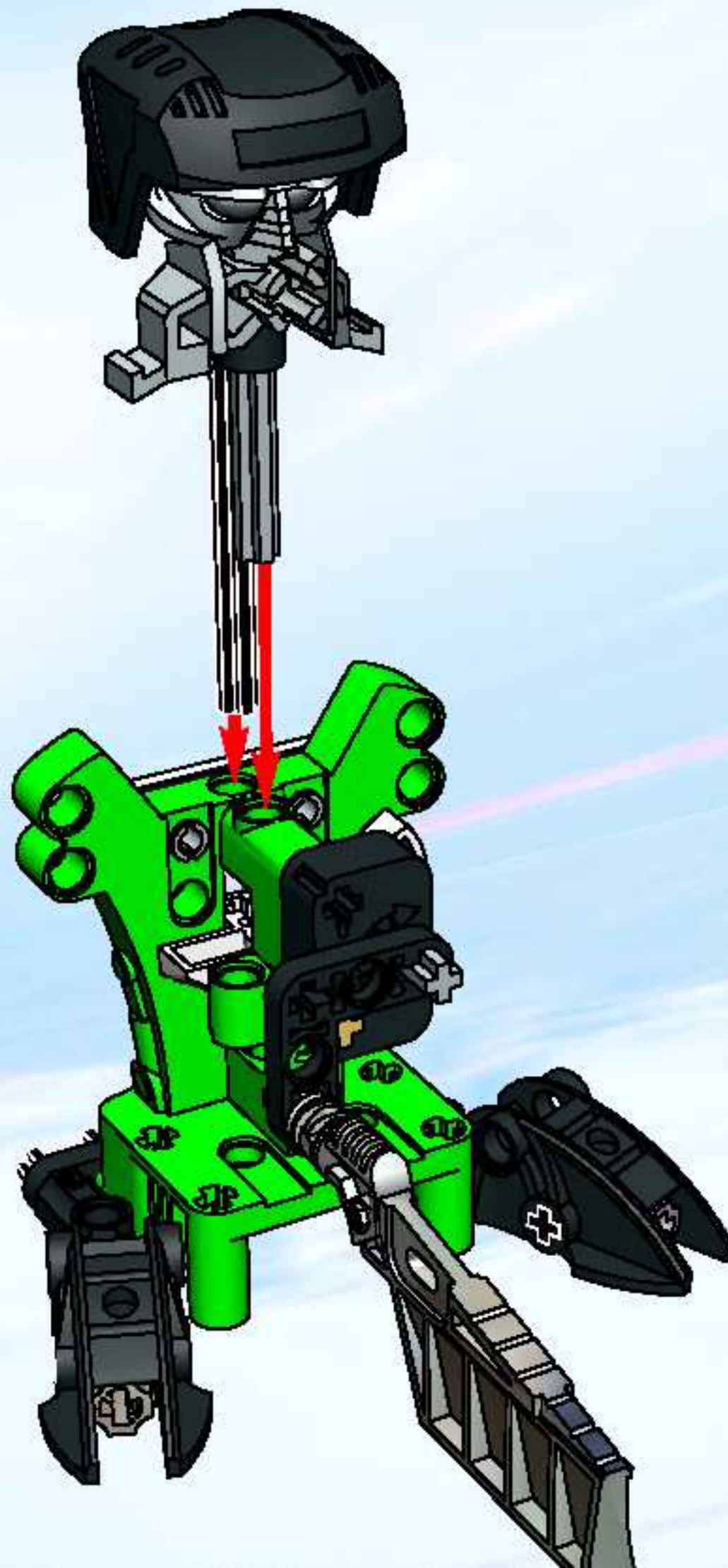


12

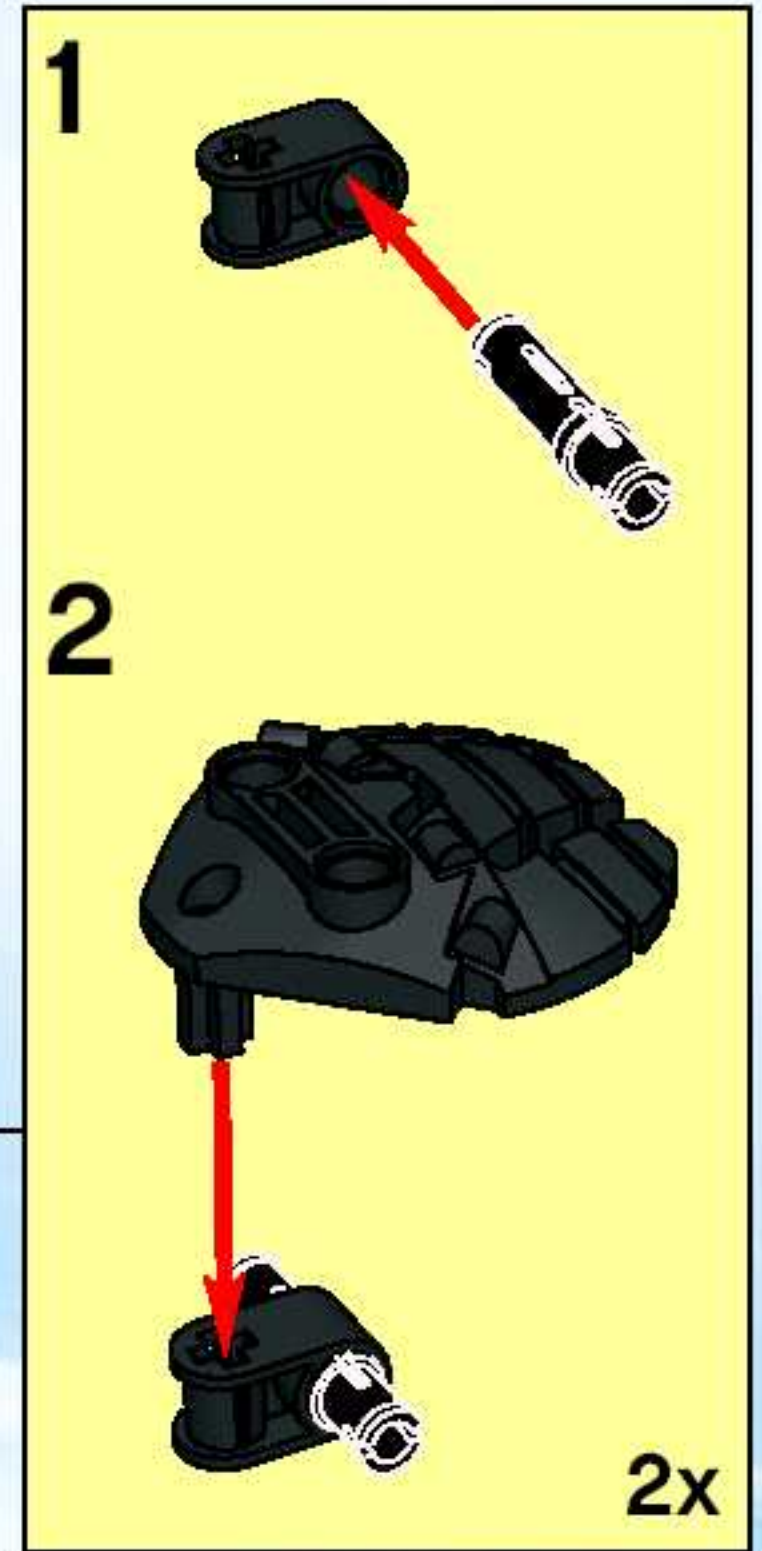
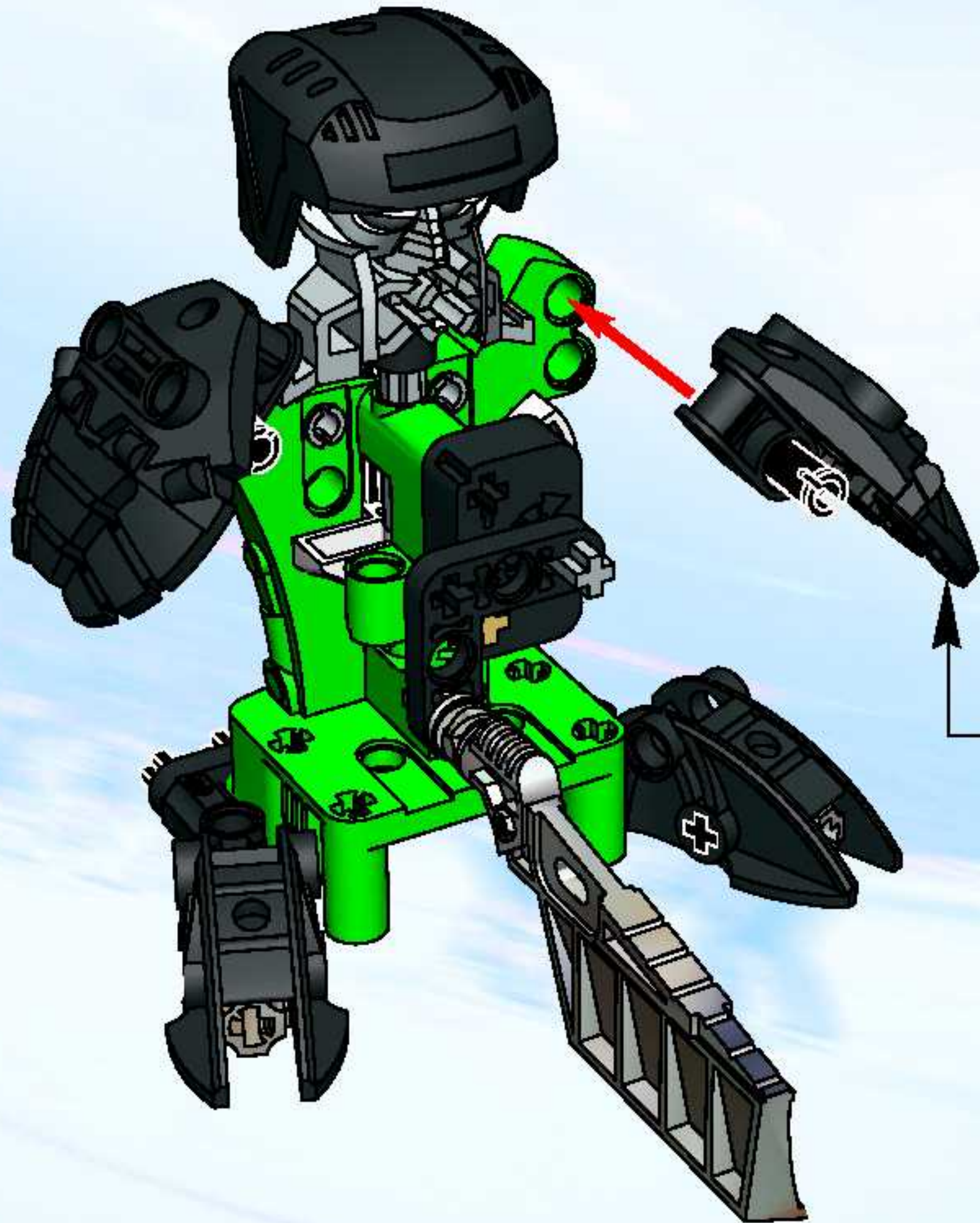




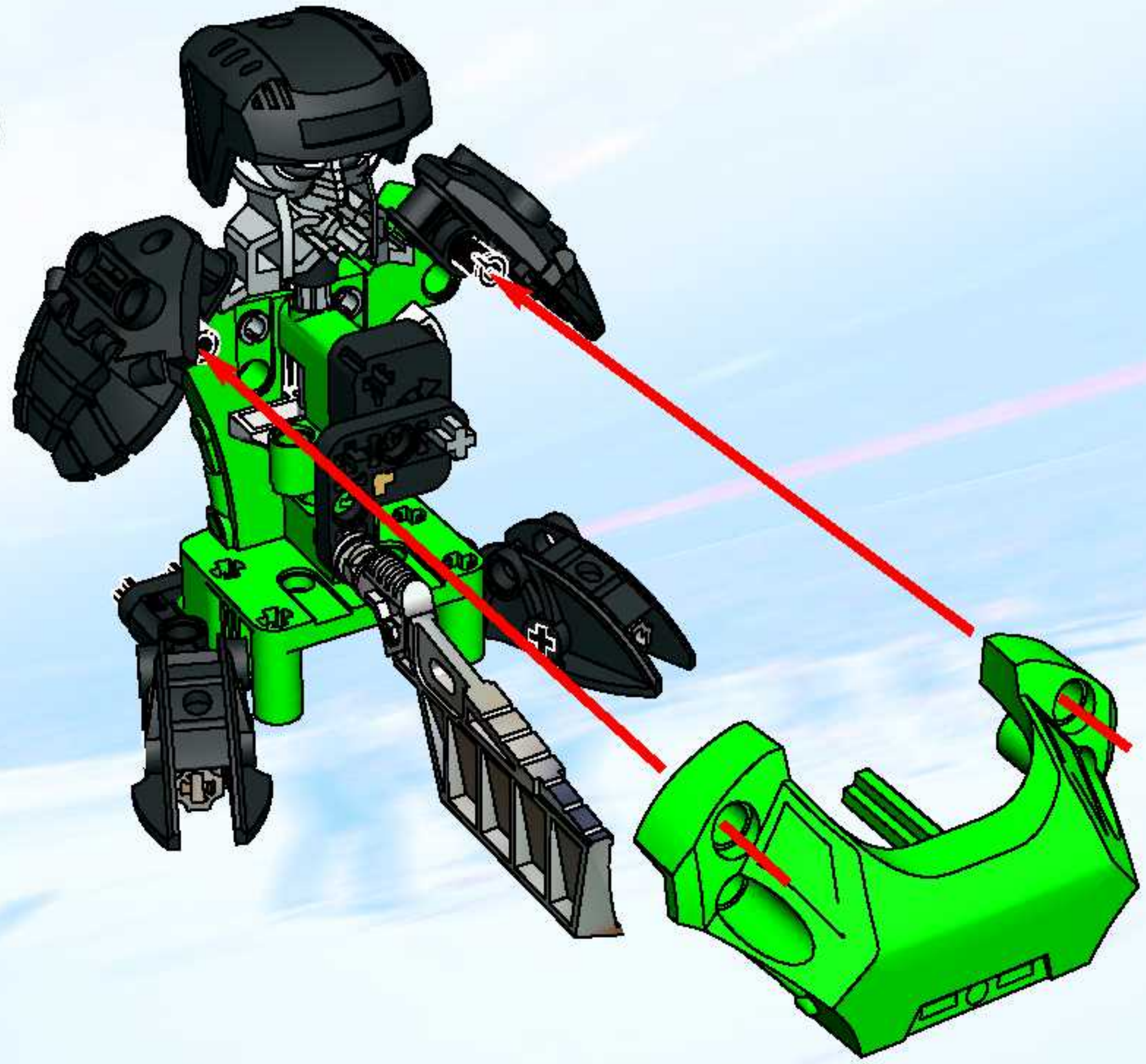
13

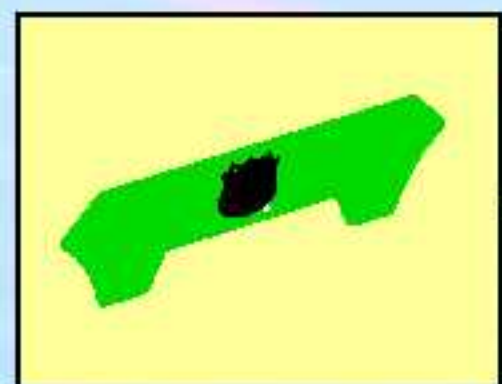


14



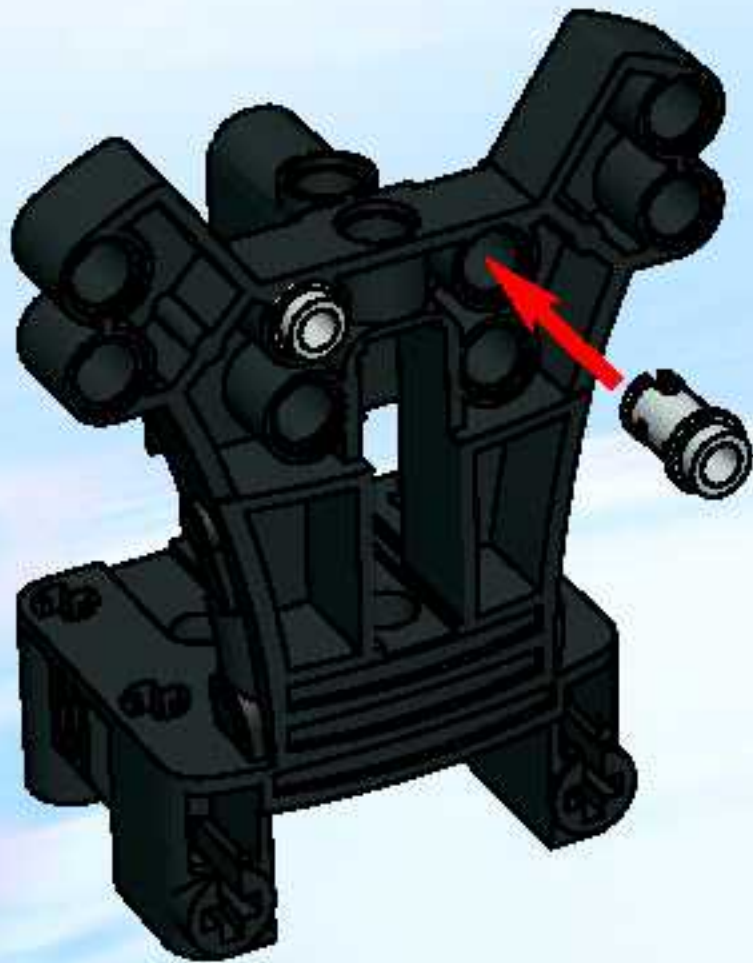
15



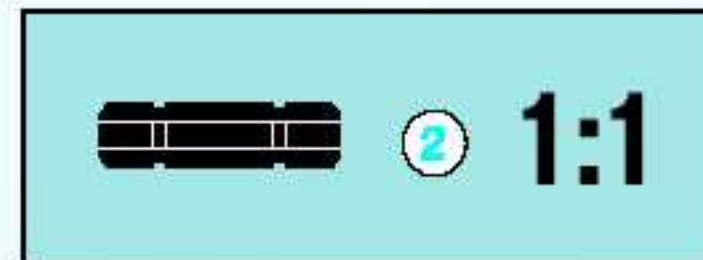
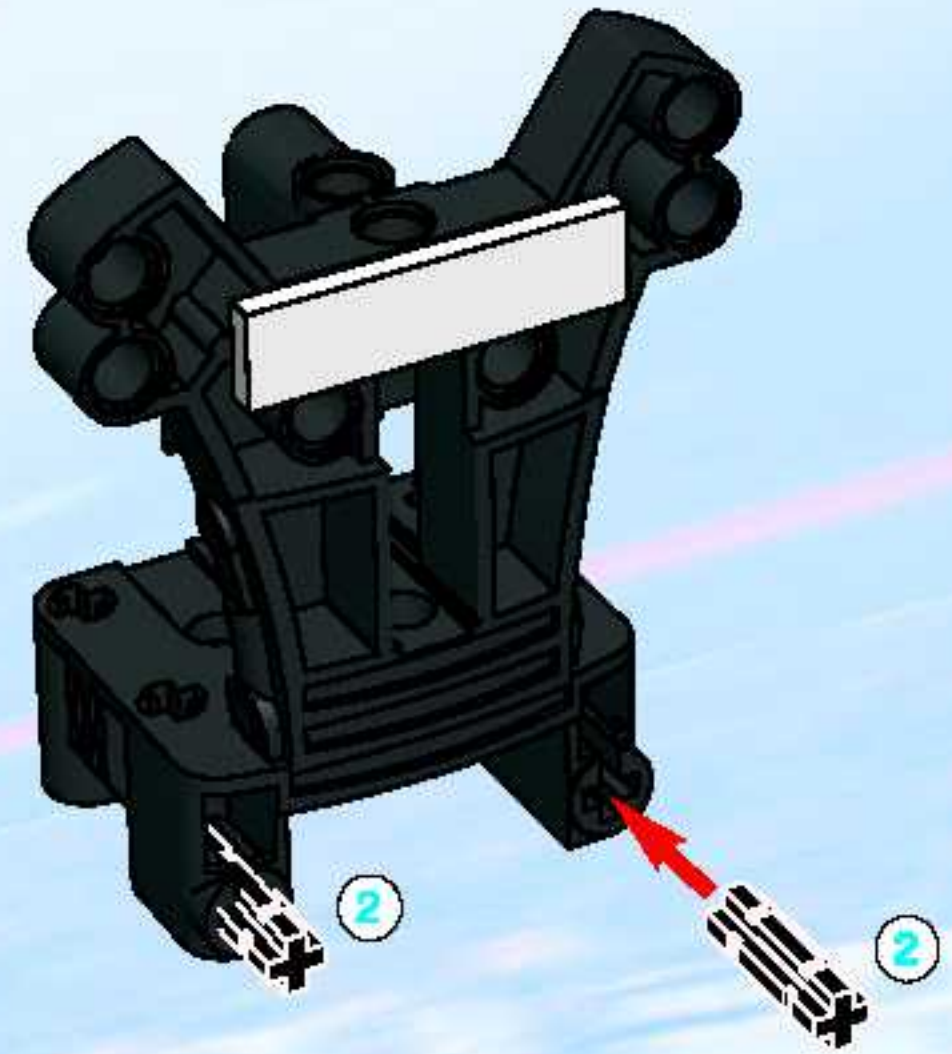




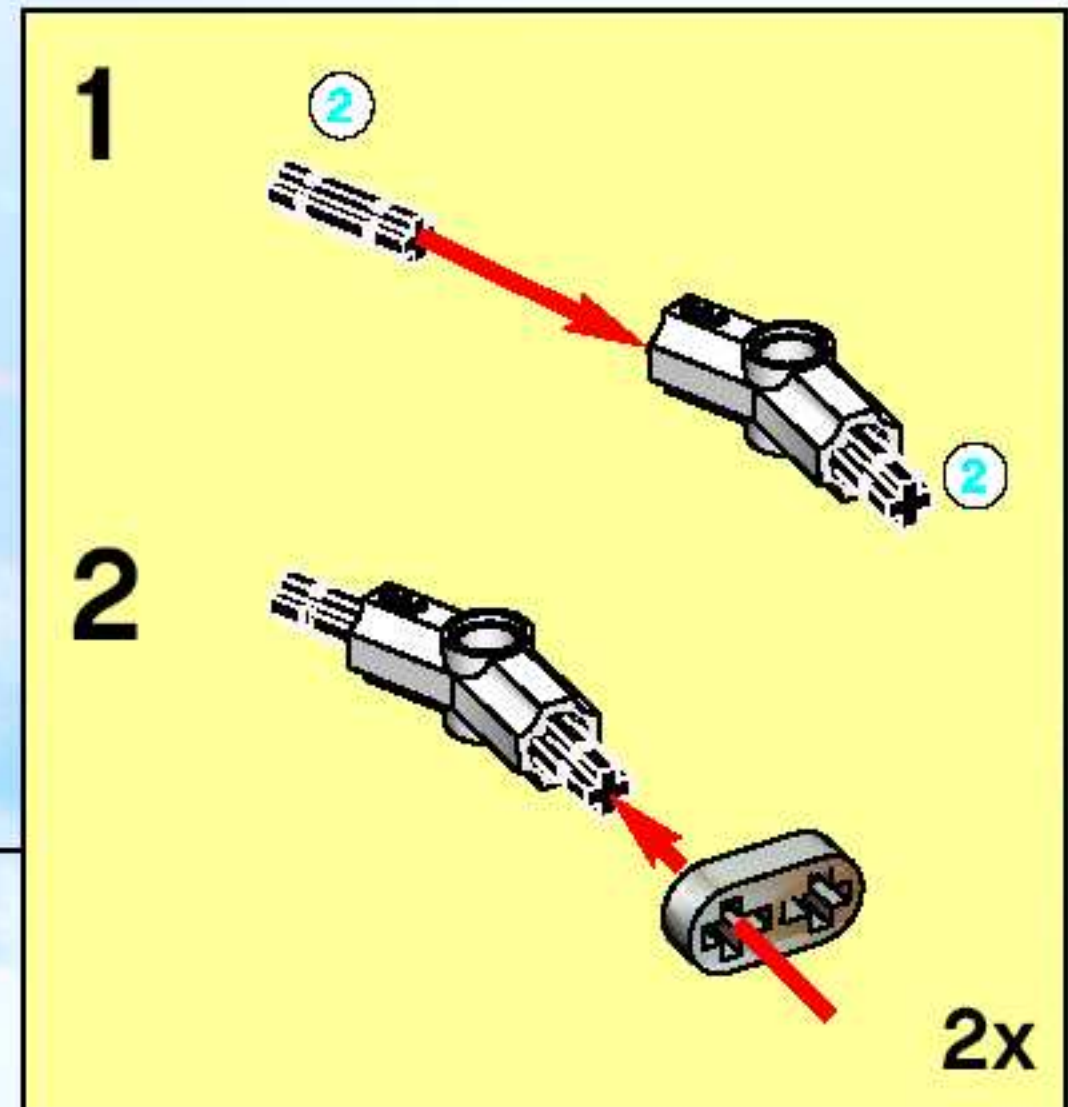
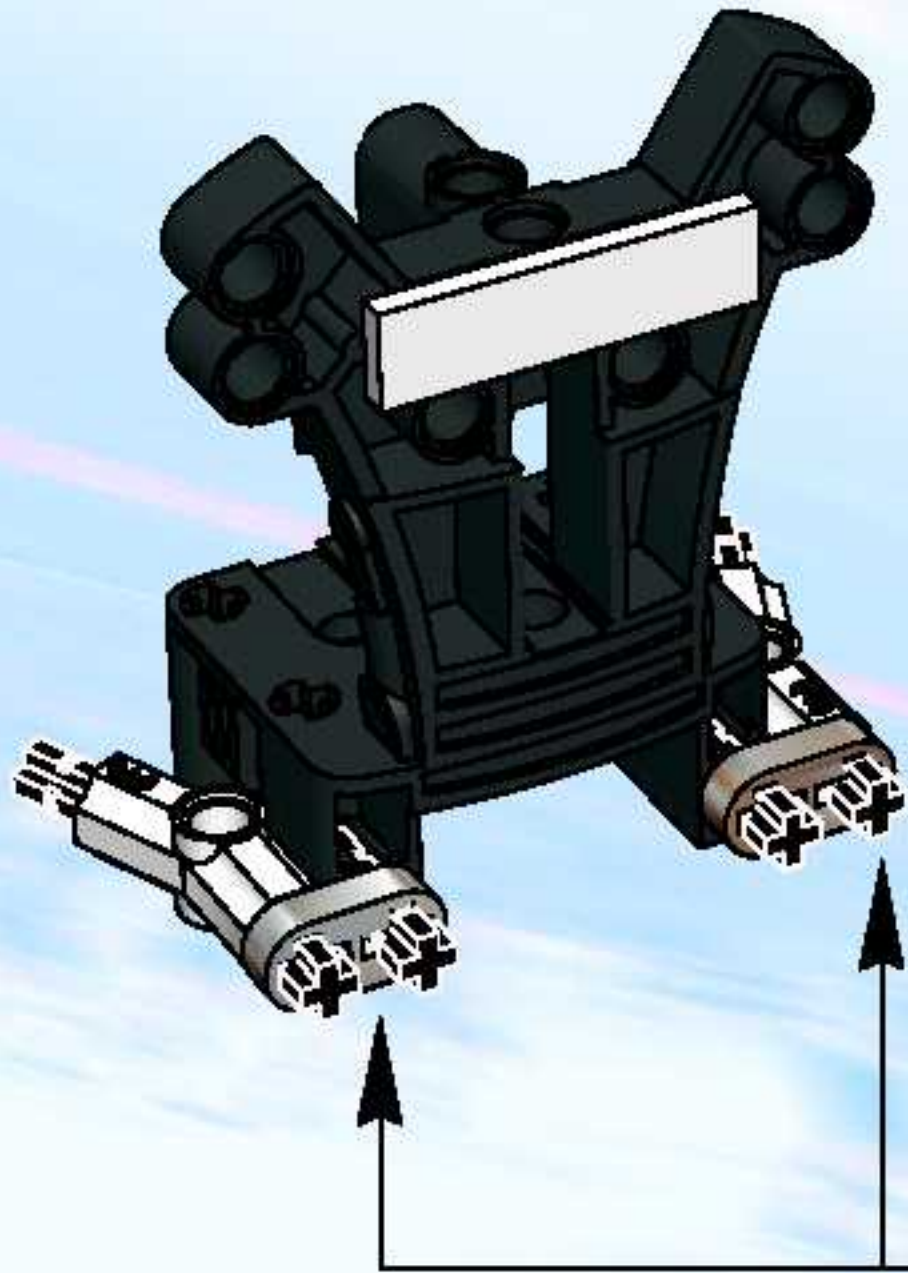
1



2

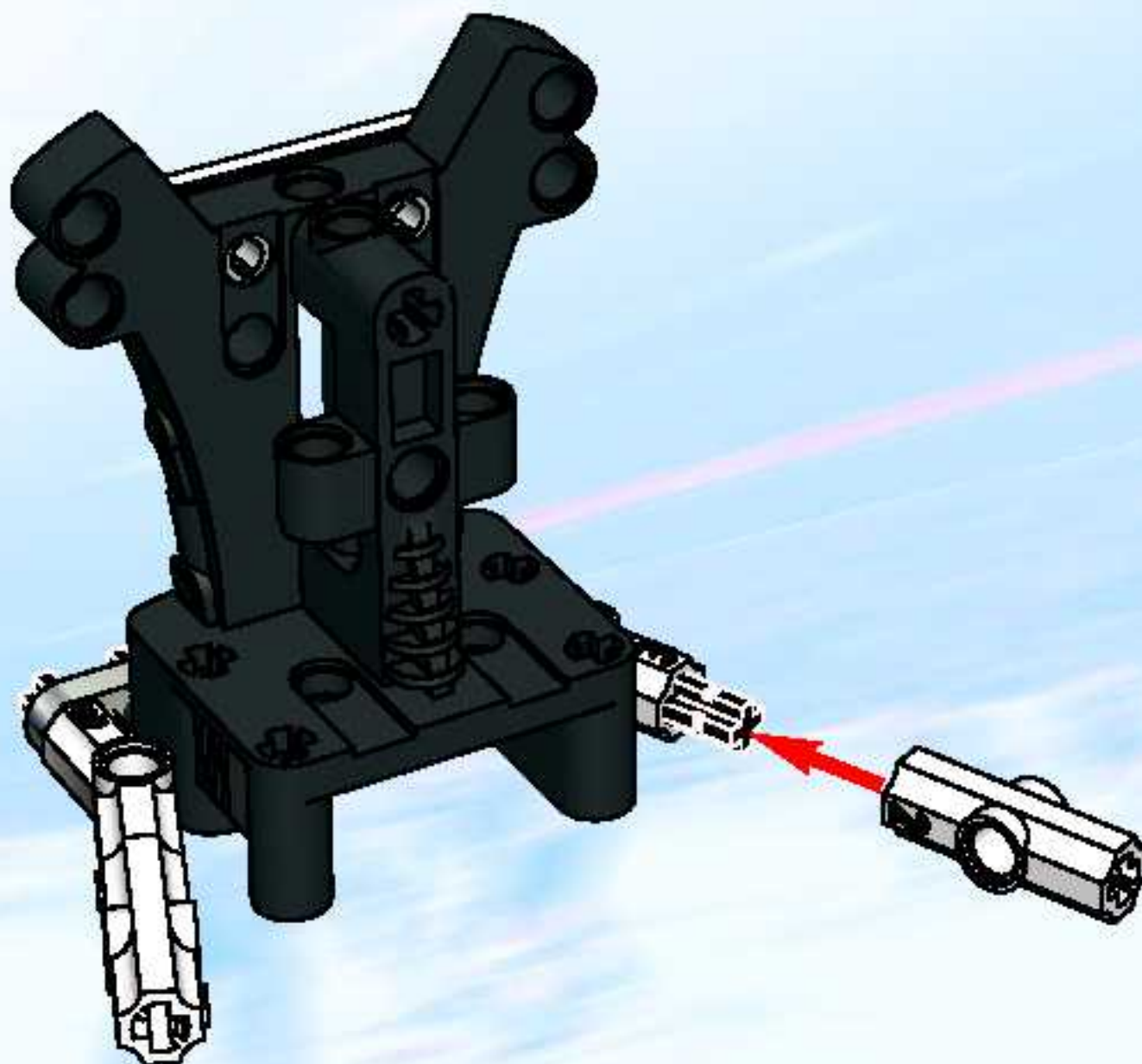


3

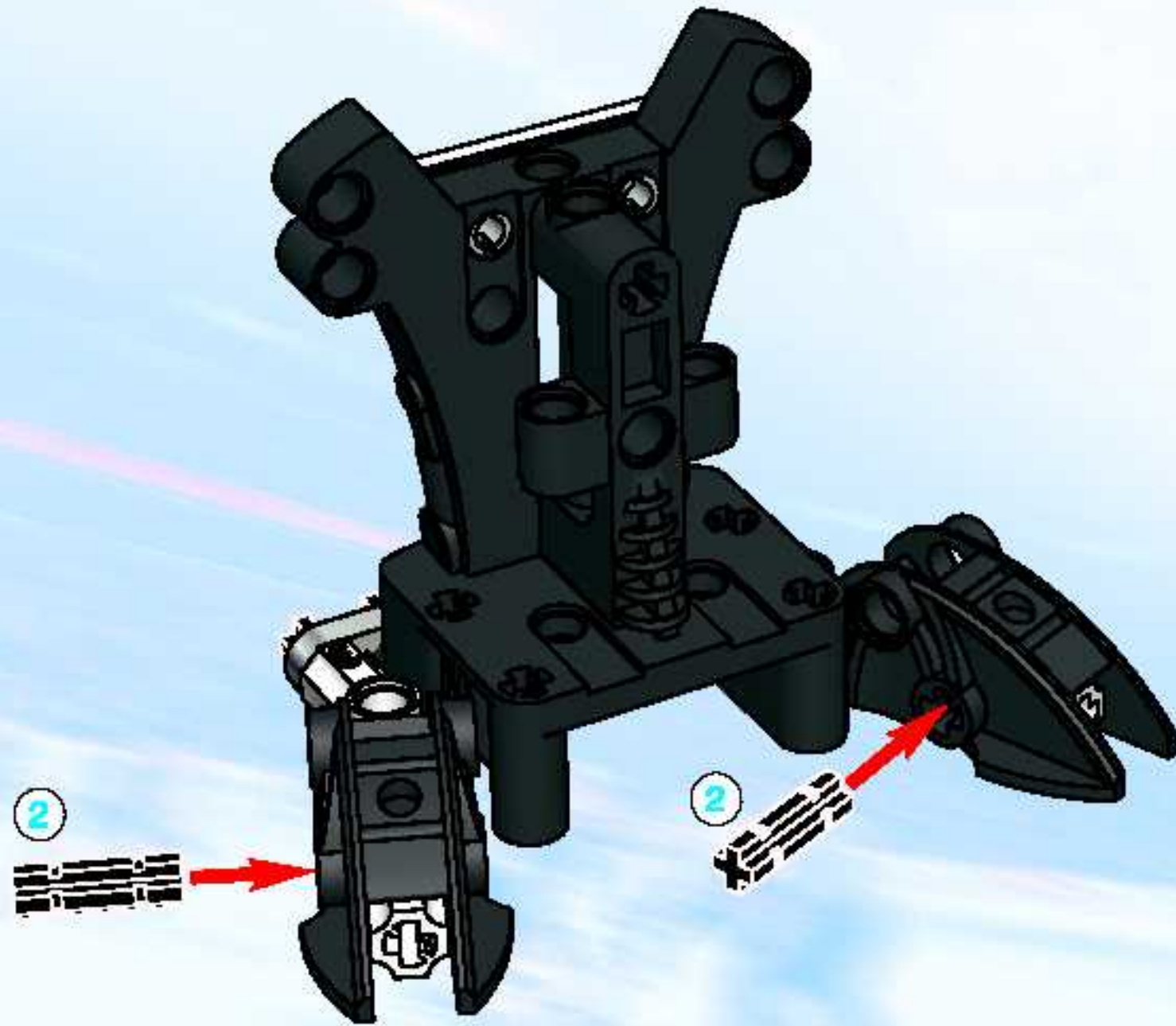


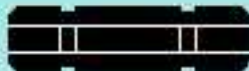


4

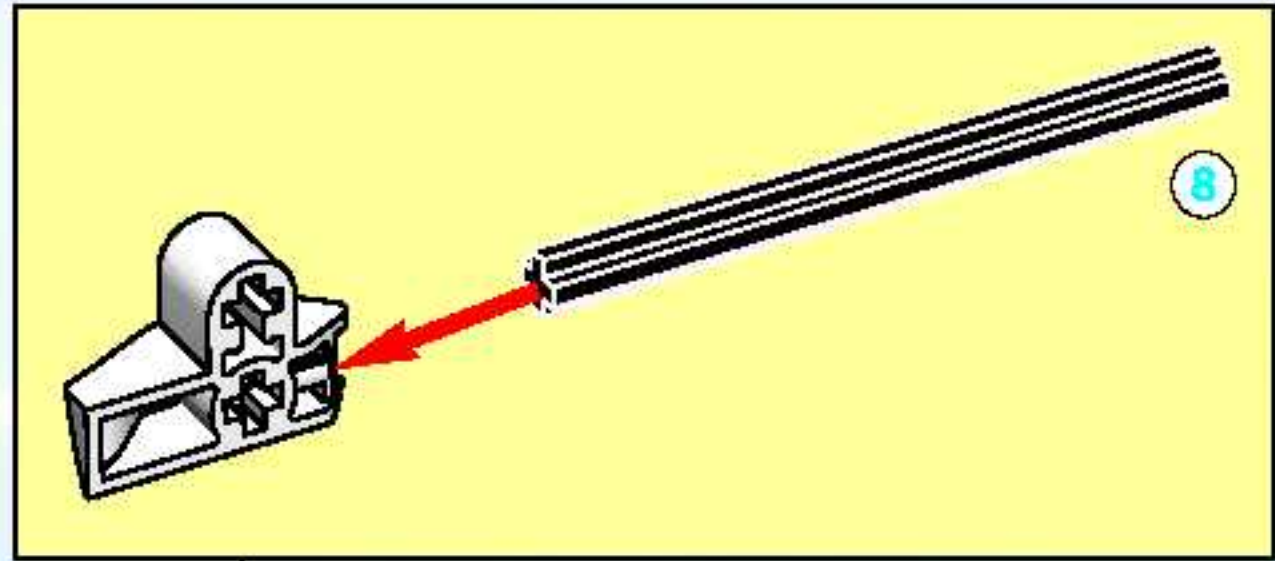
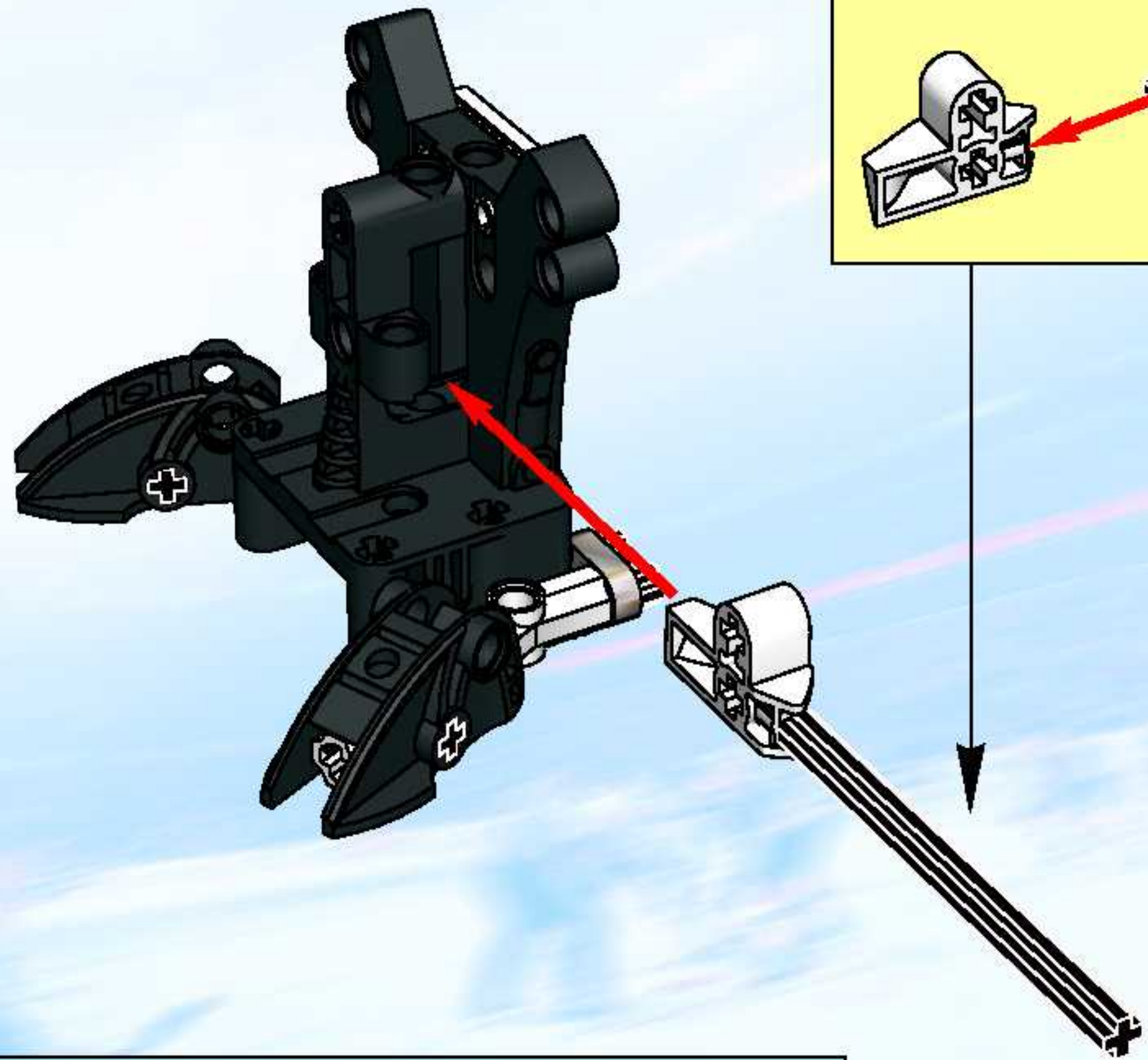


5

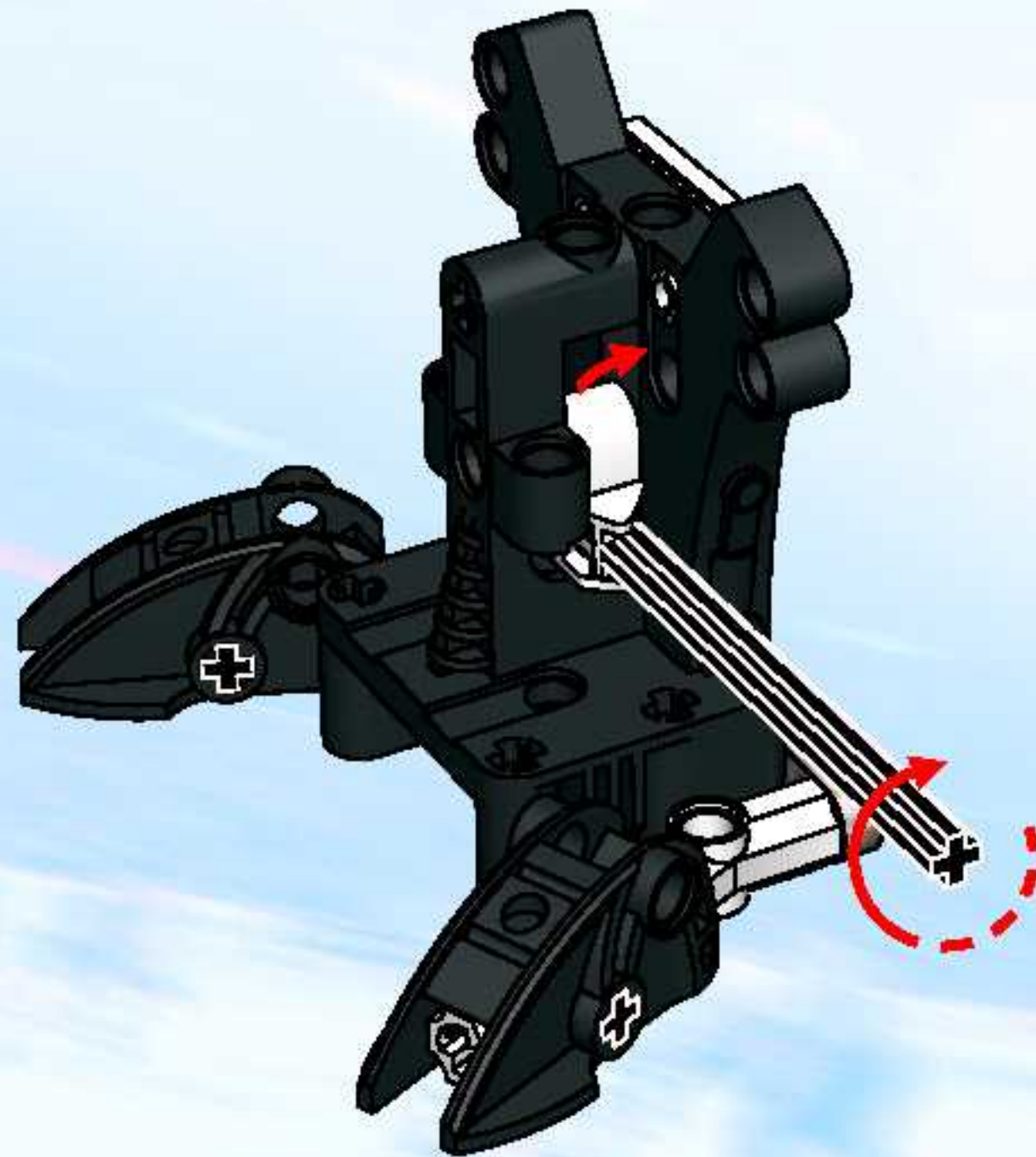


 2 1:1

6



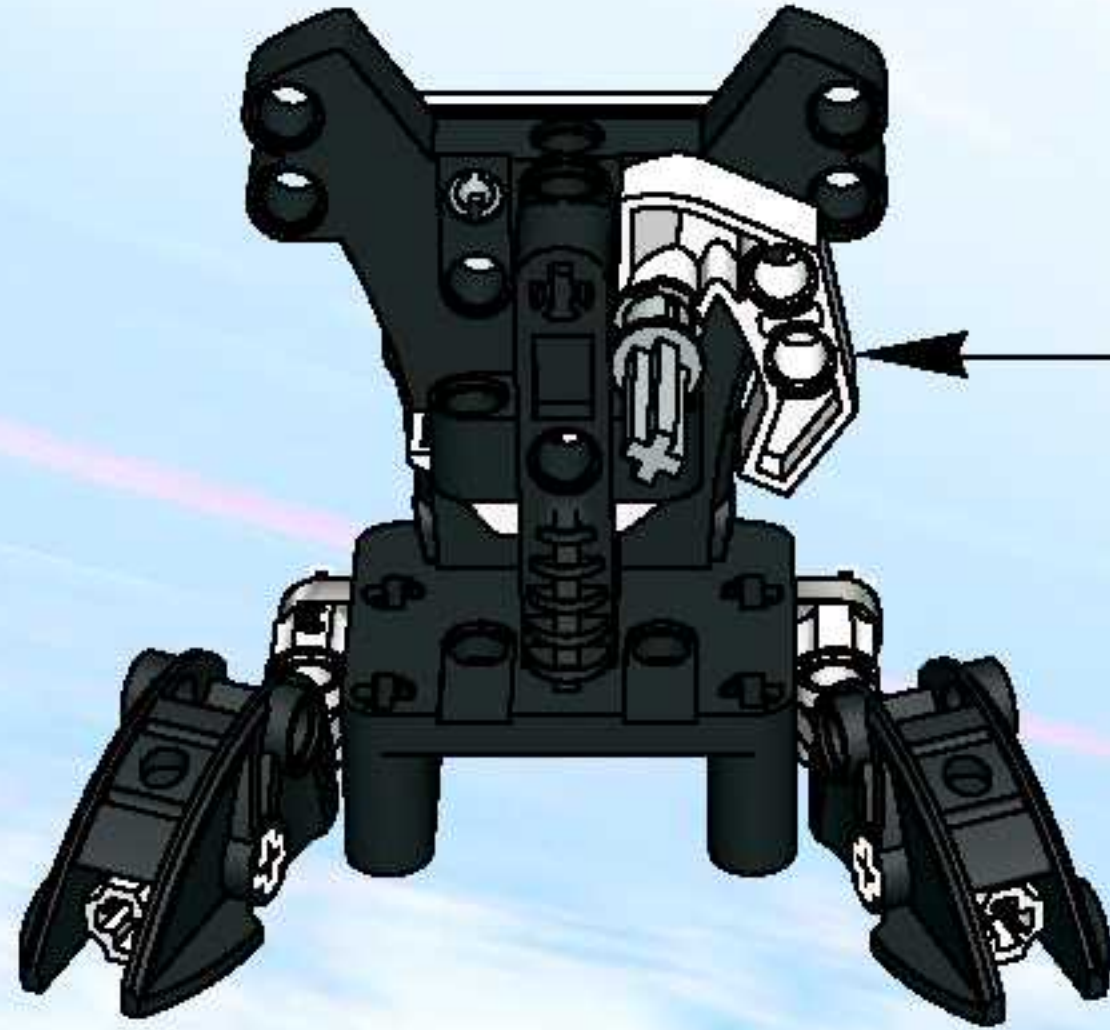
7



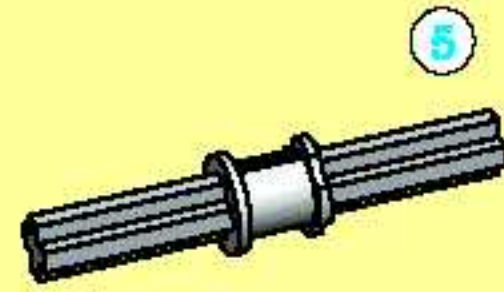
8



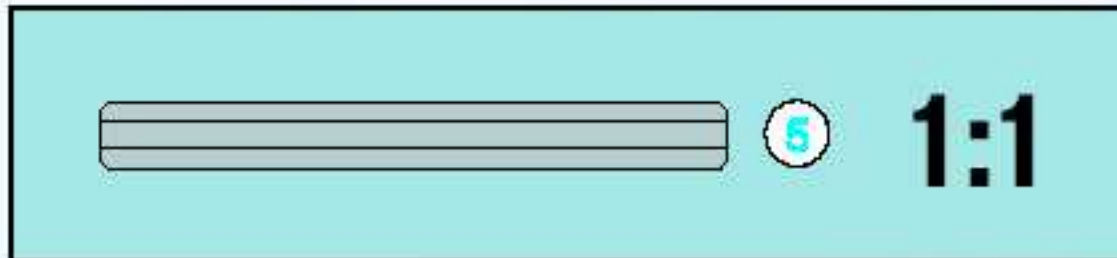
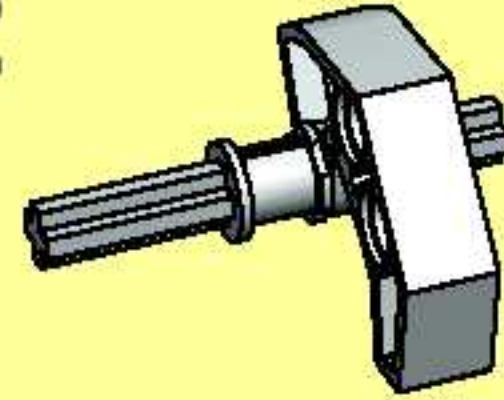
9



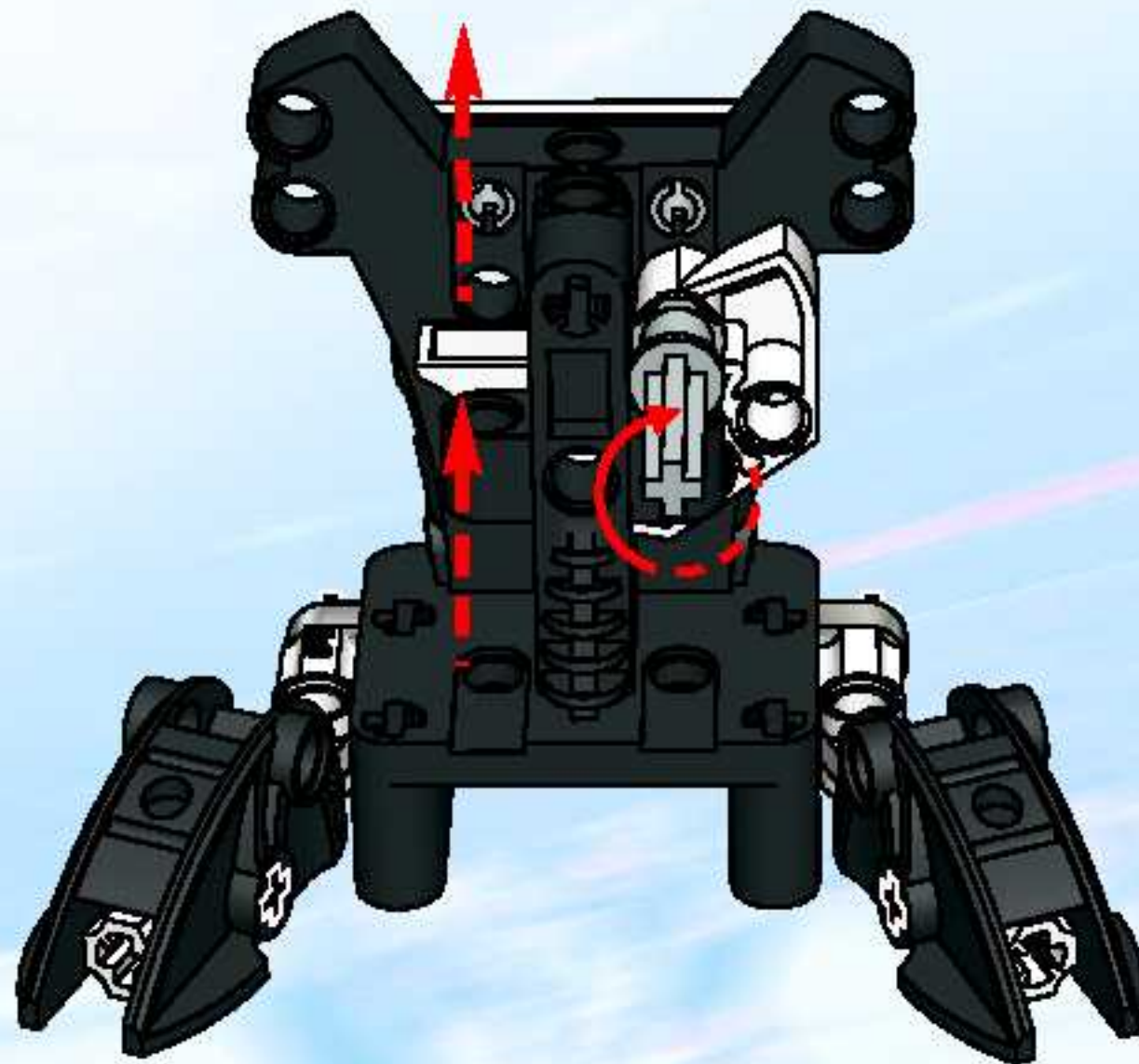
1



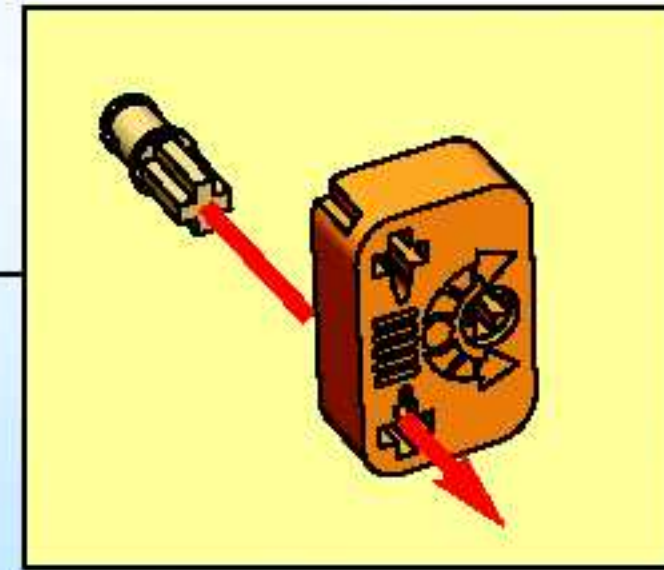
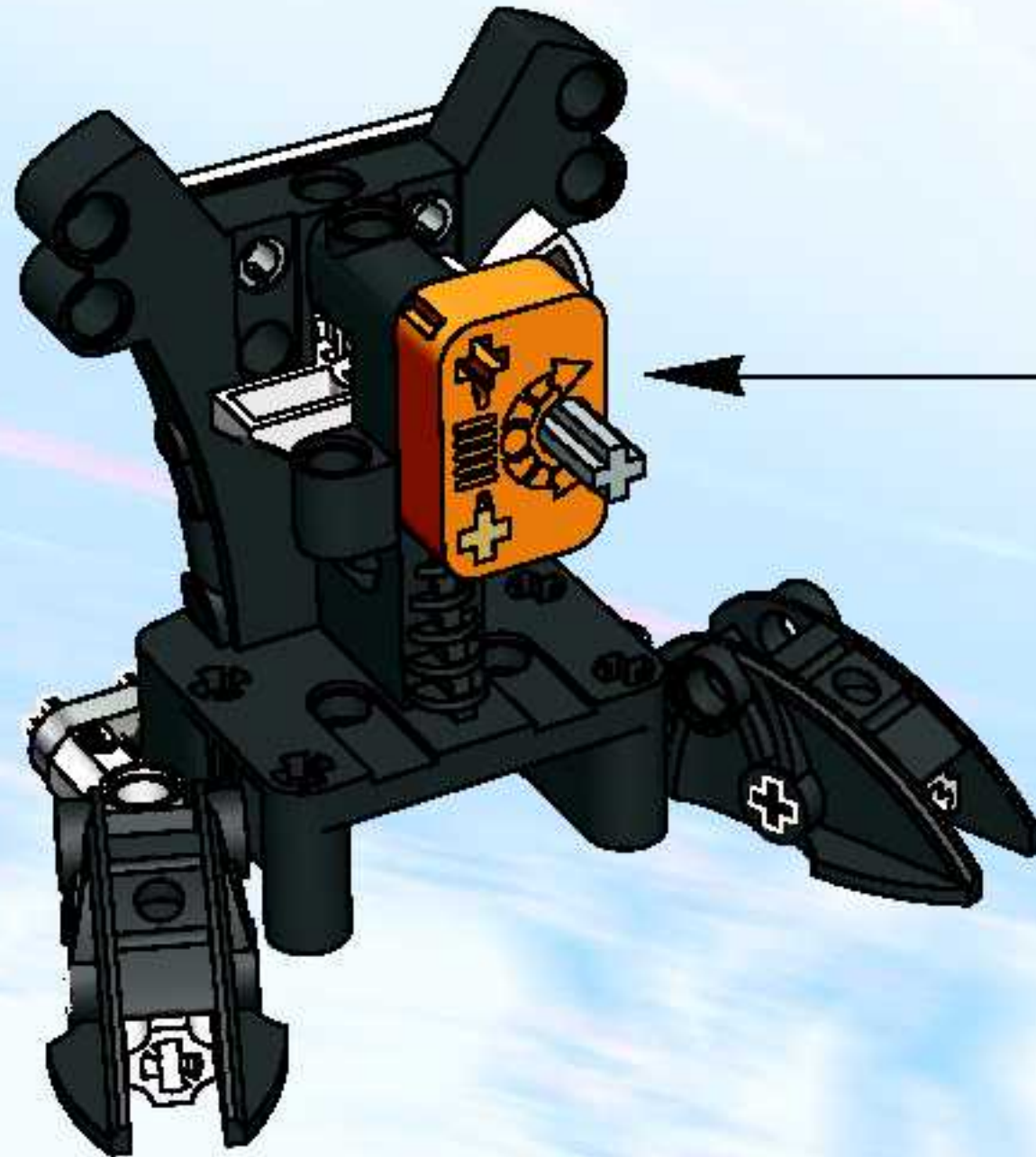
2



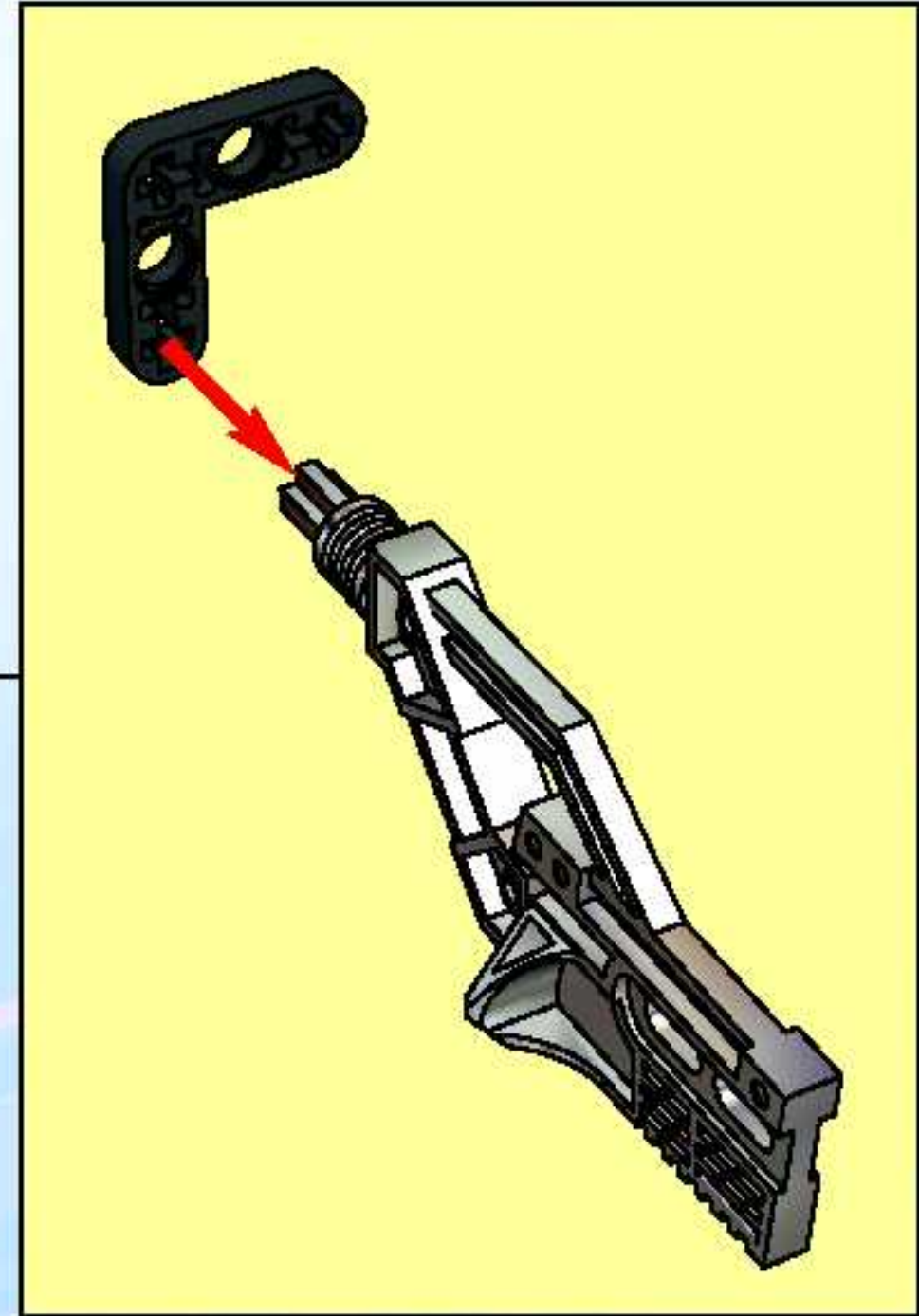
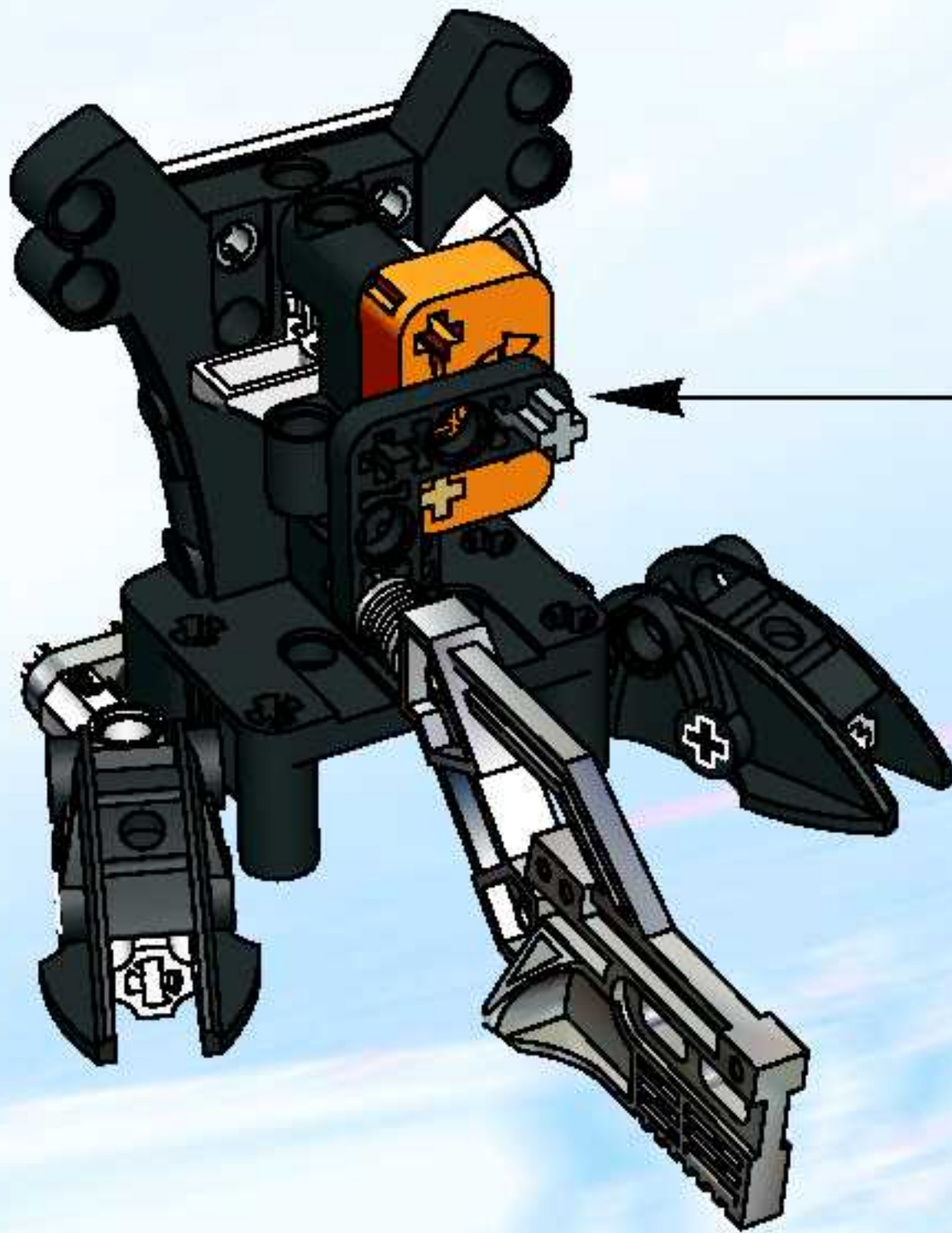
10



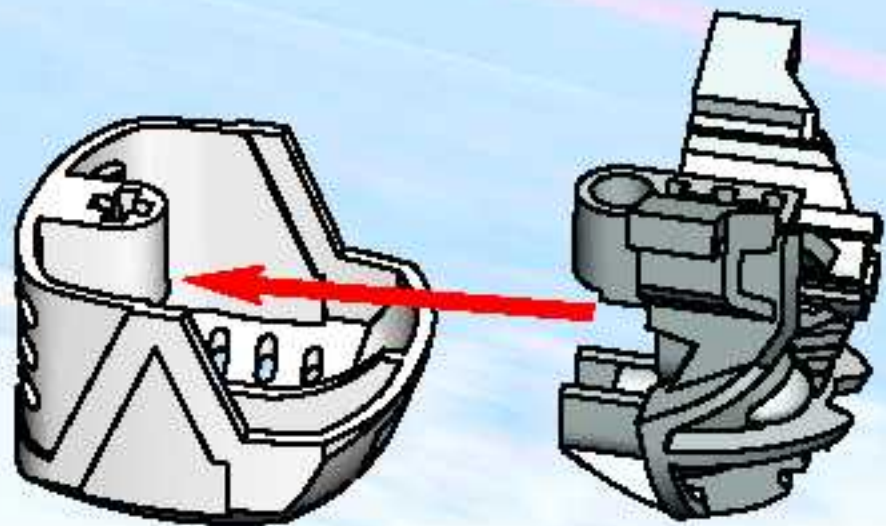
11



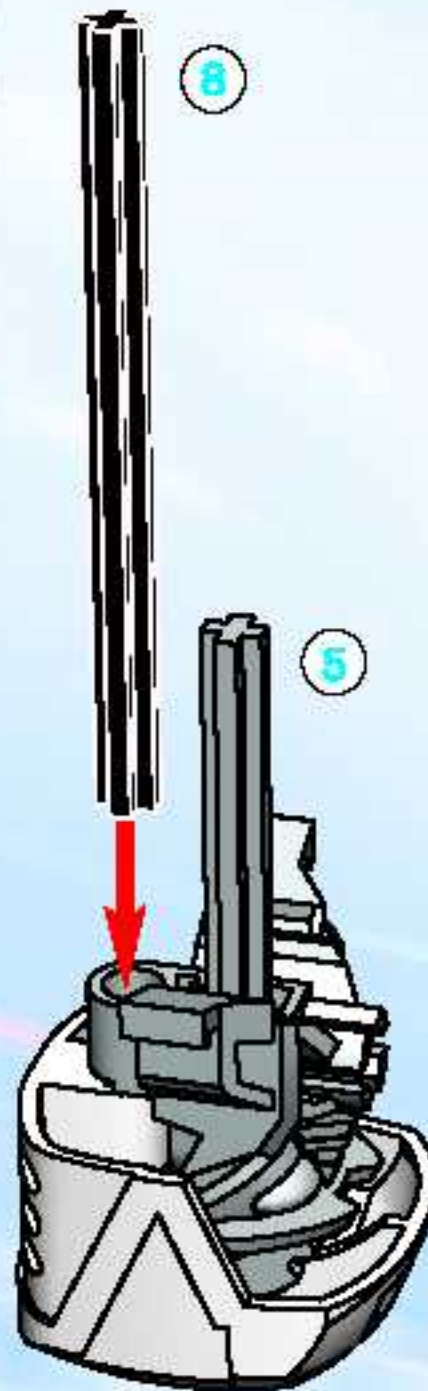
12



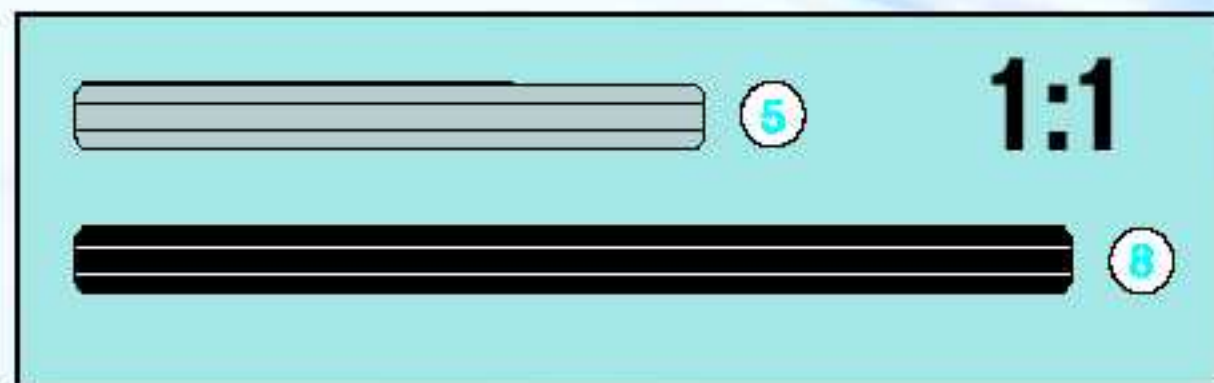
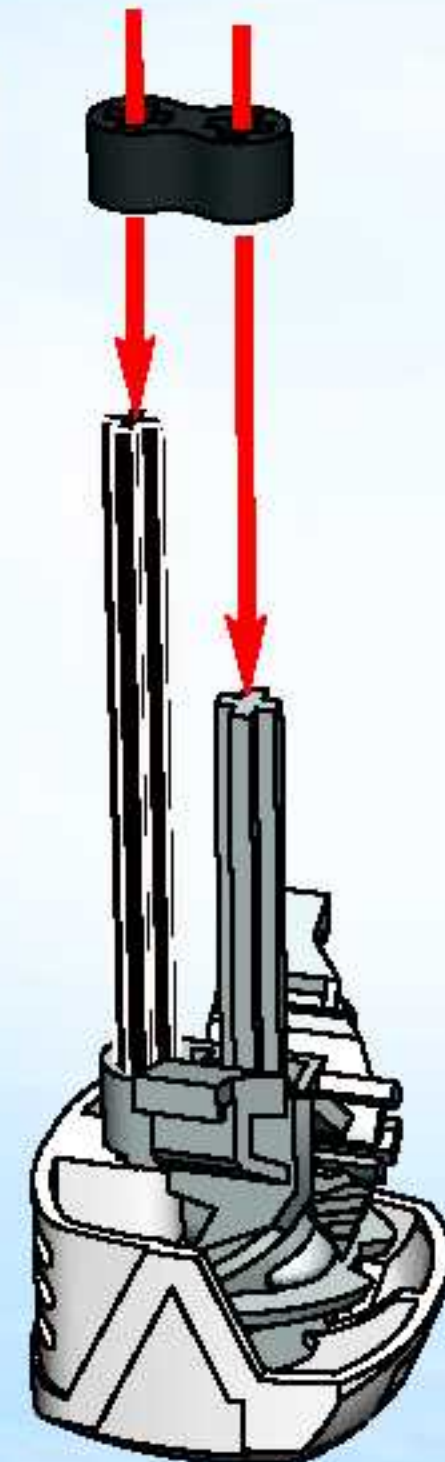
1



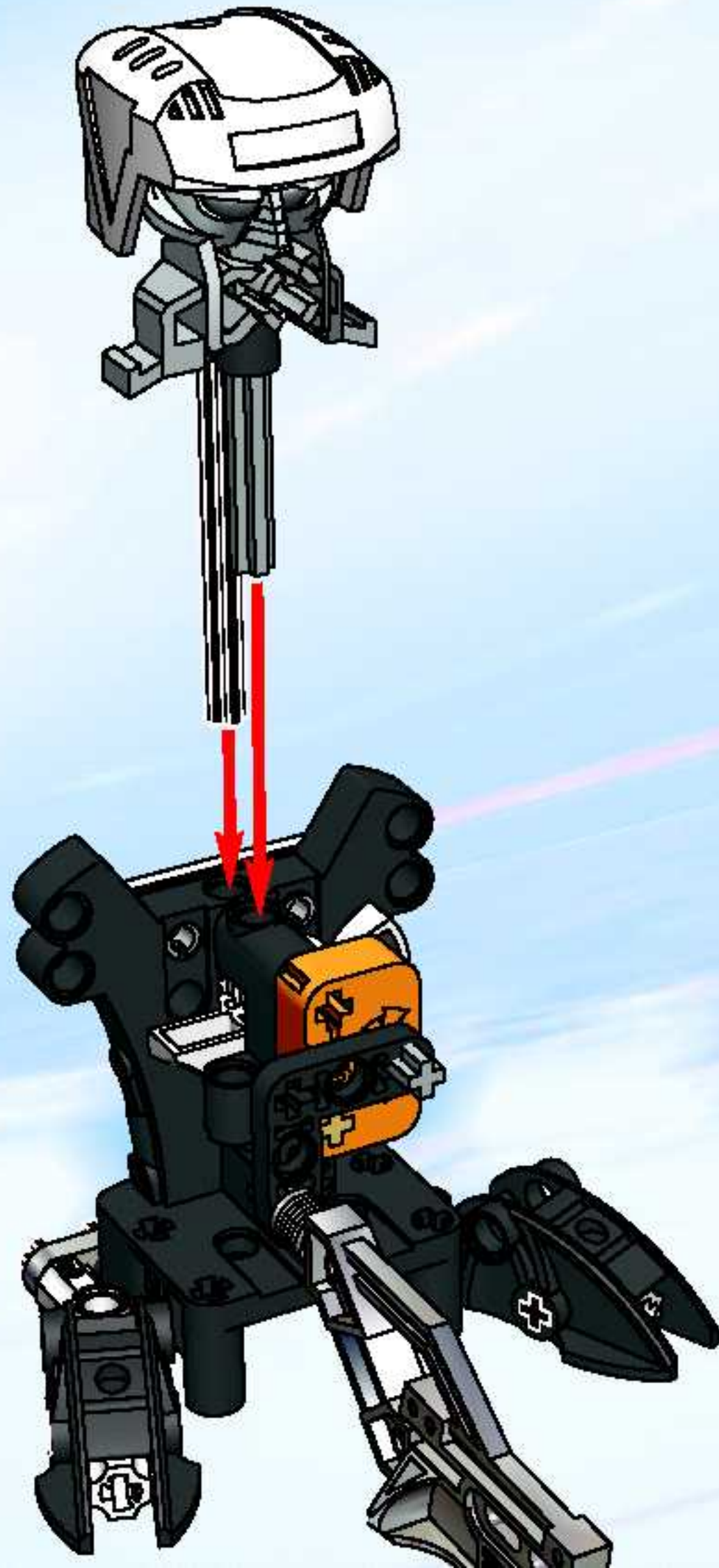
2



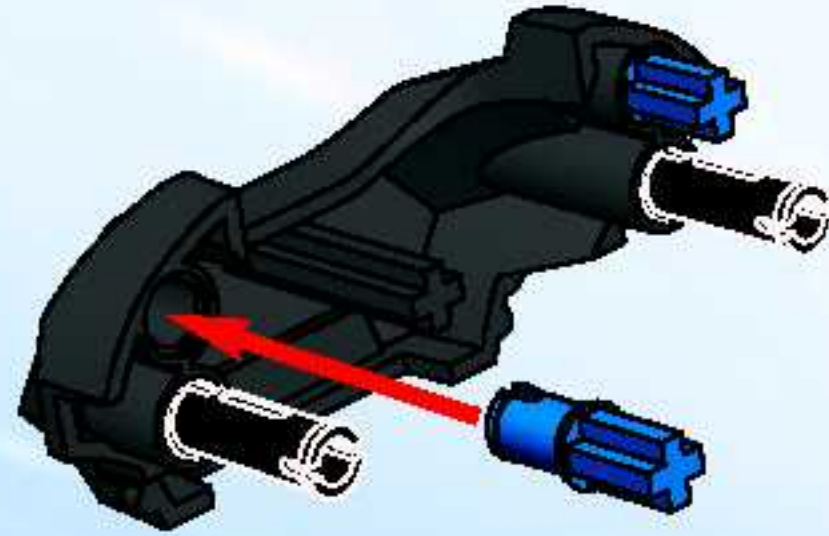
3



13



1



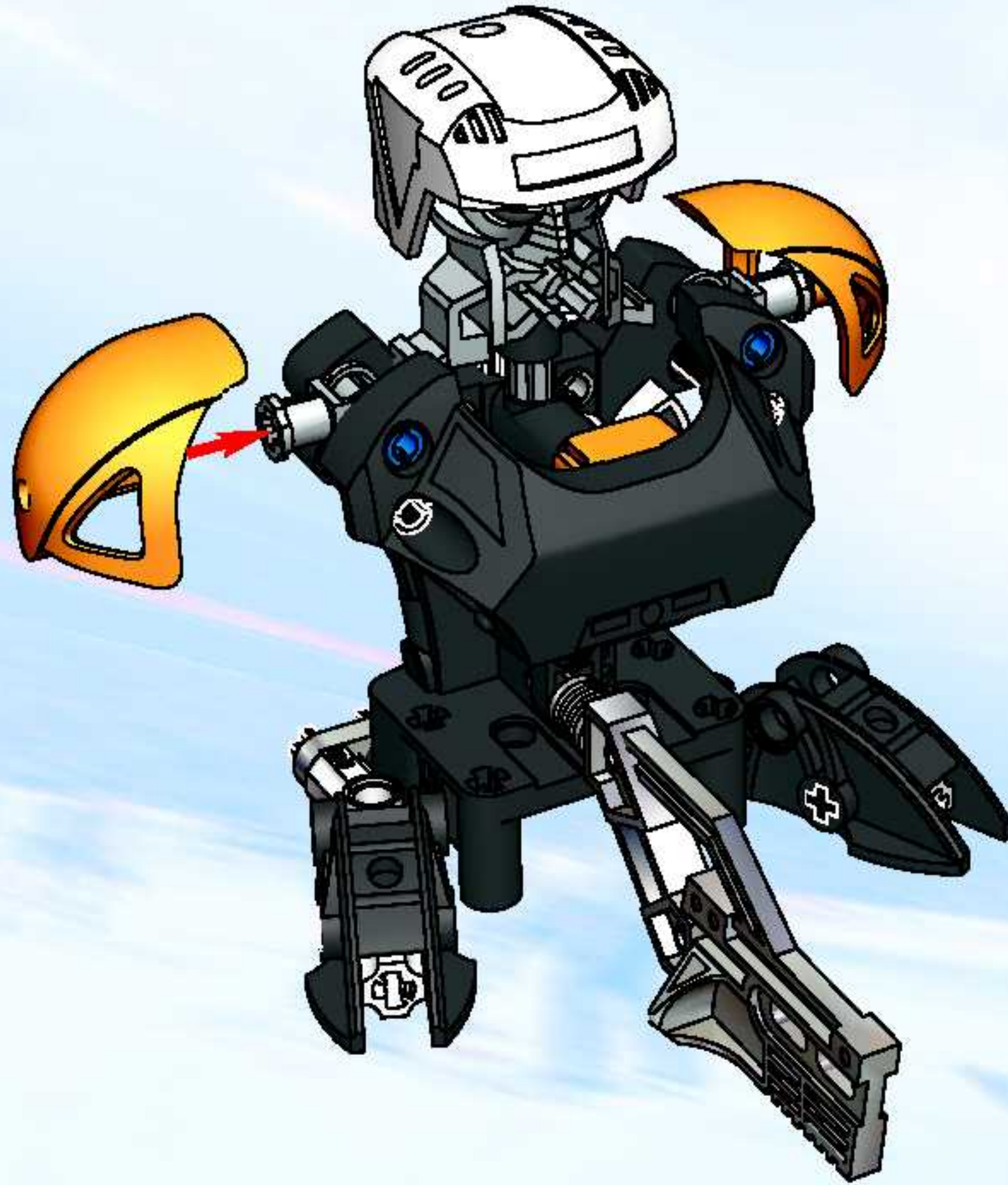
2



14

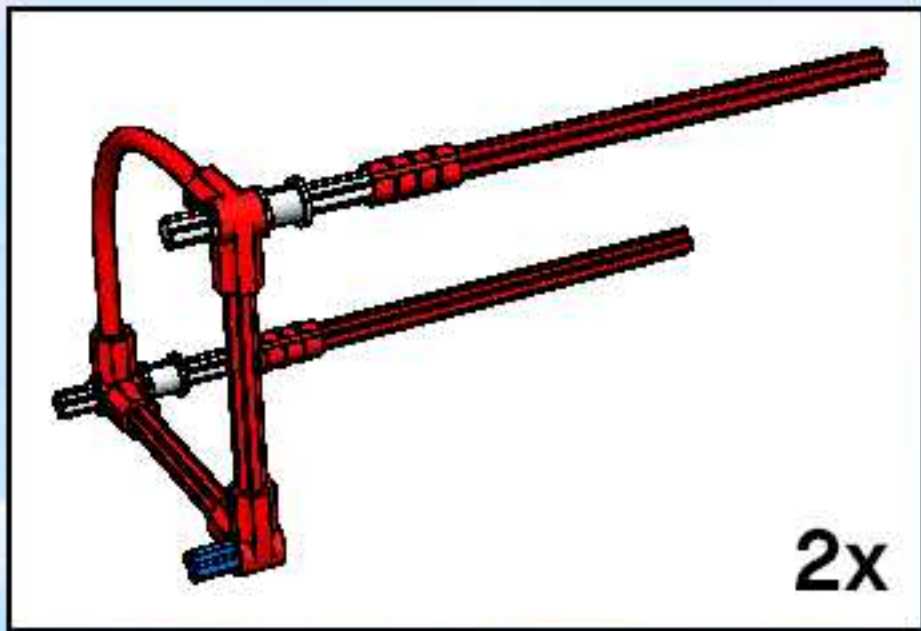
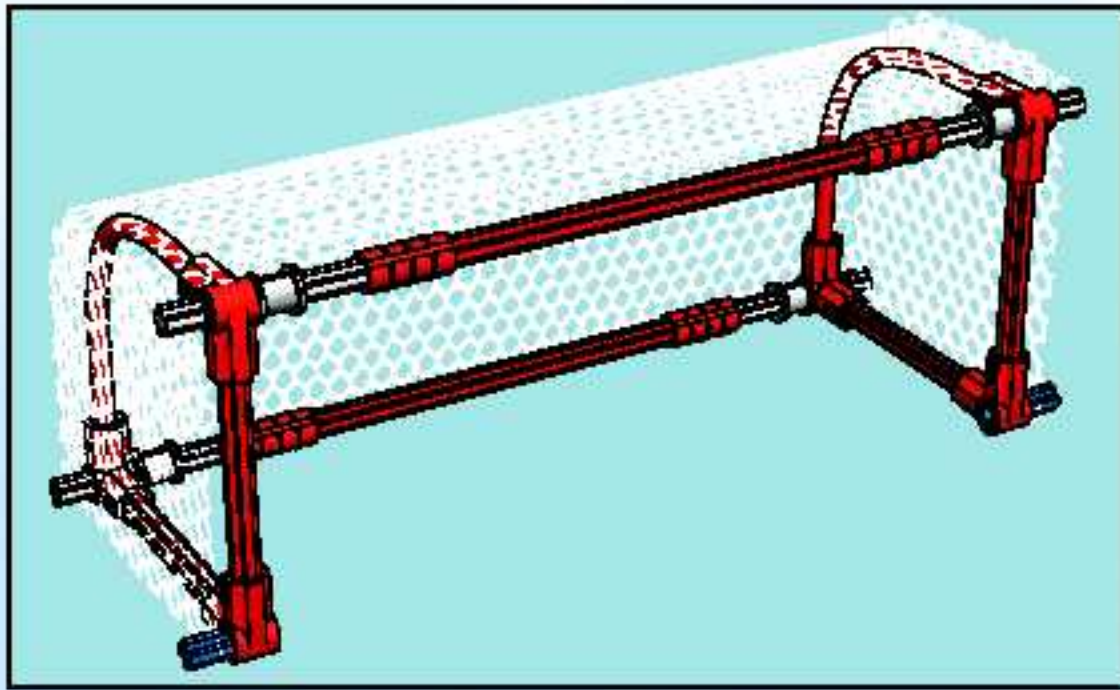


15

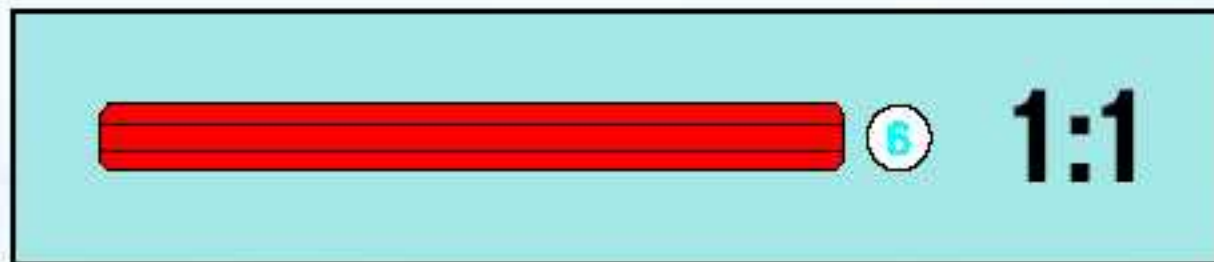
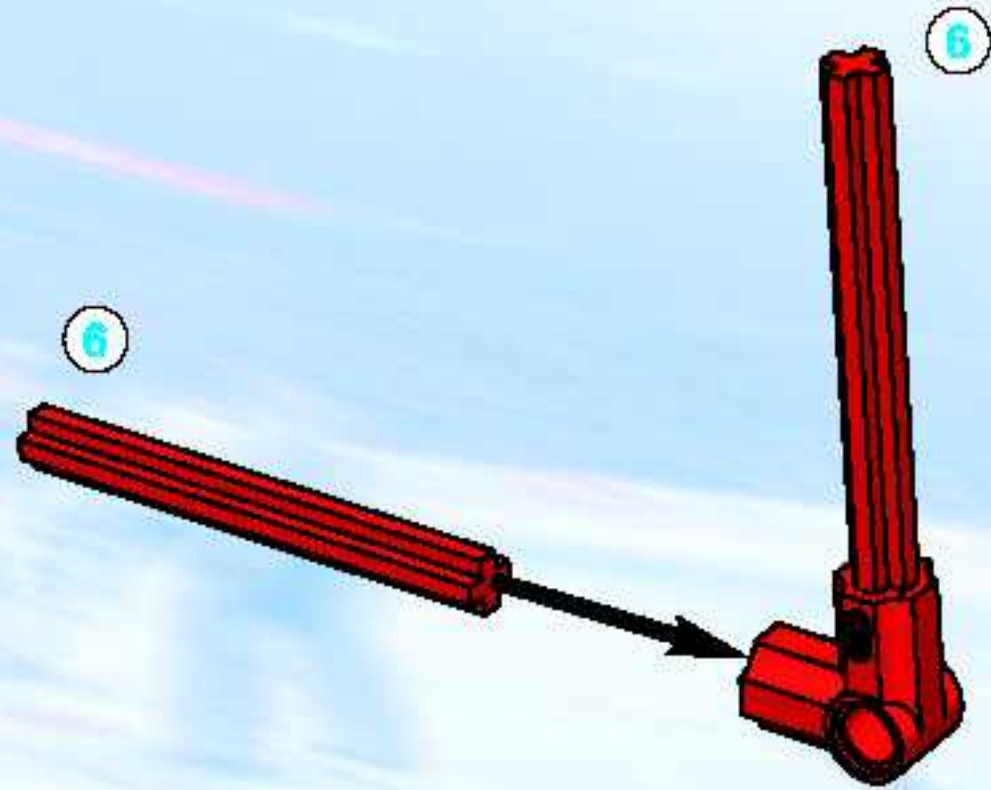


16

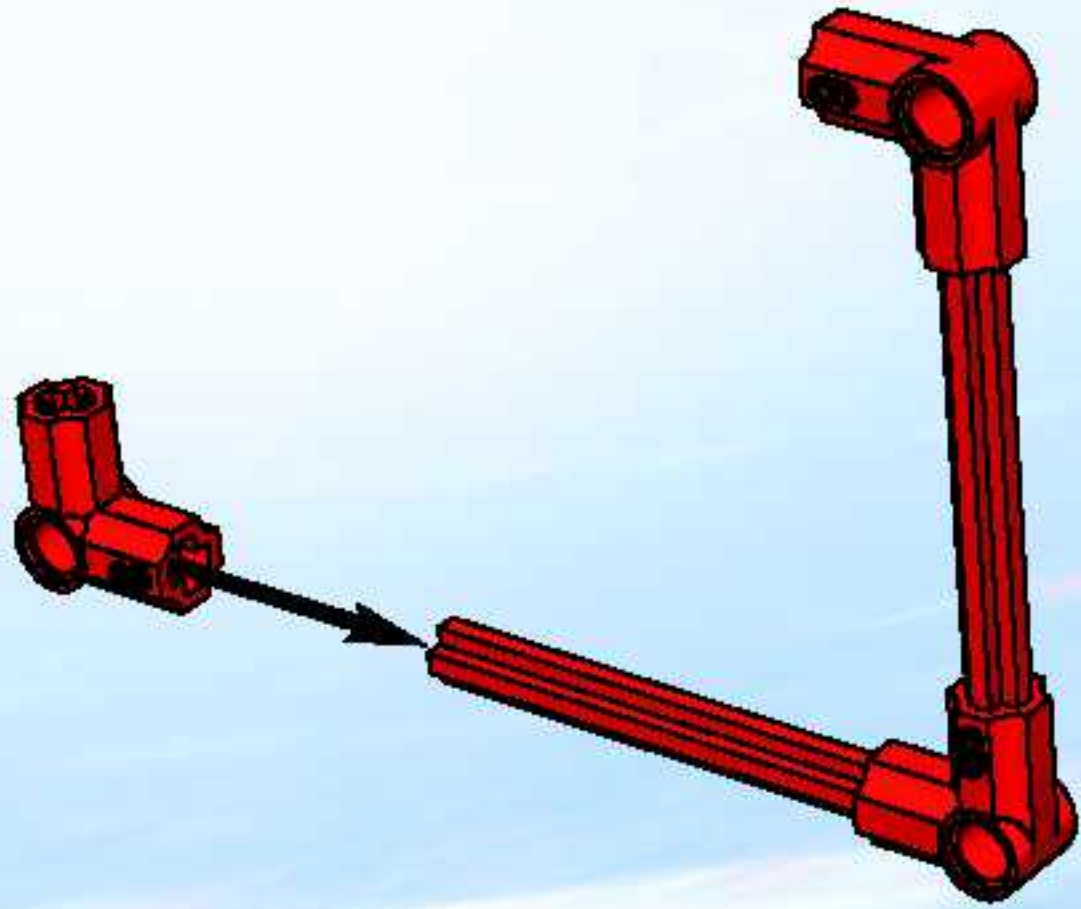




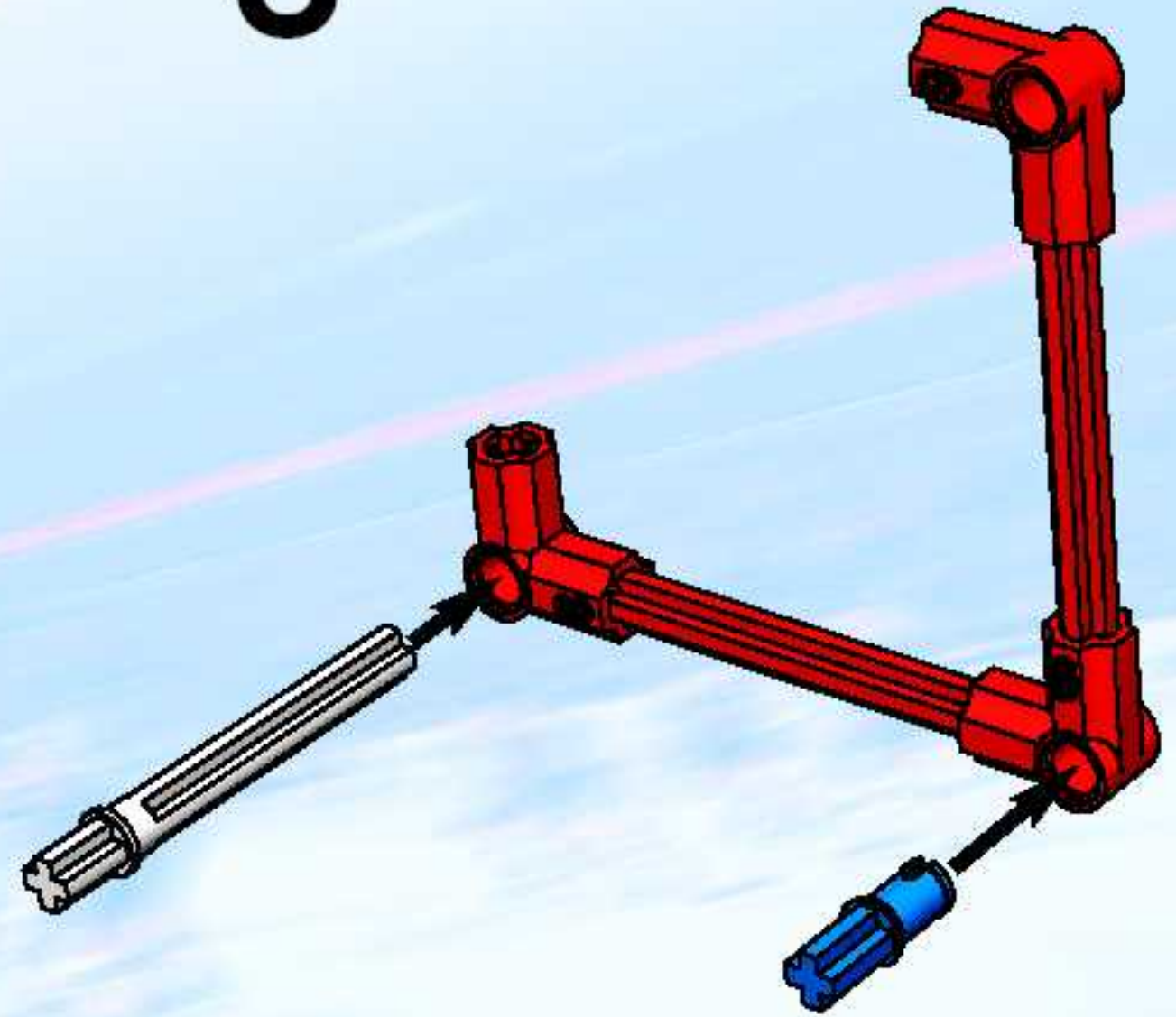
1



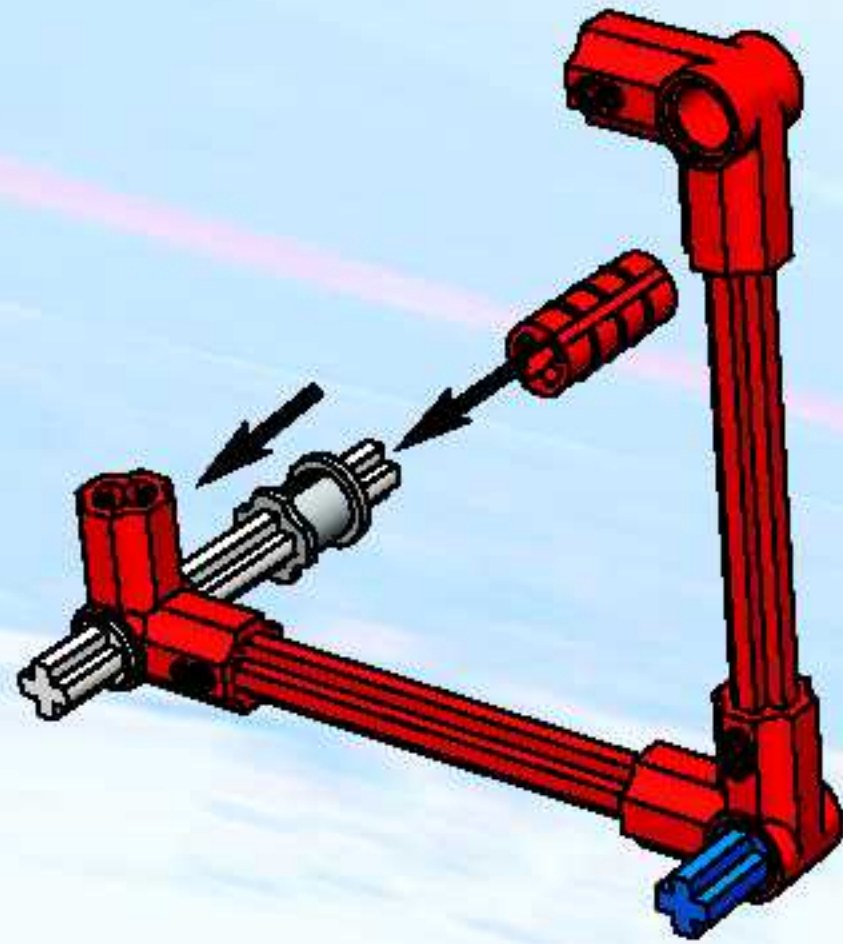
2



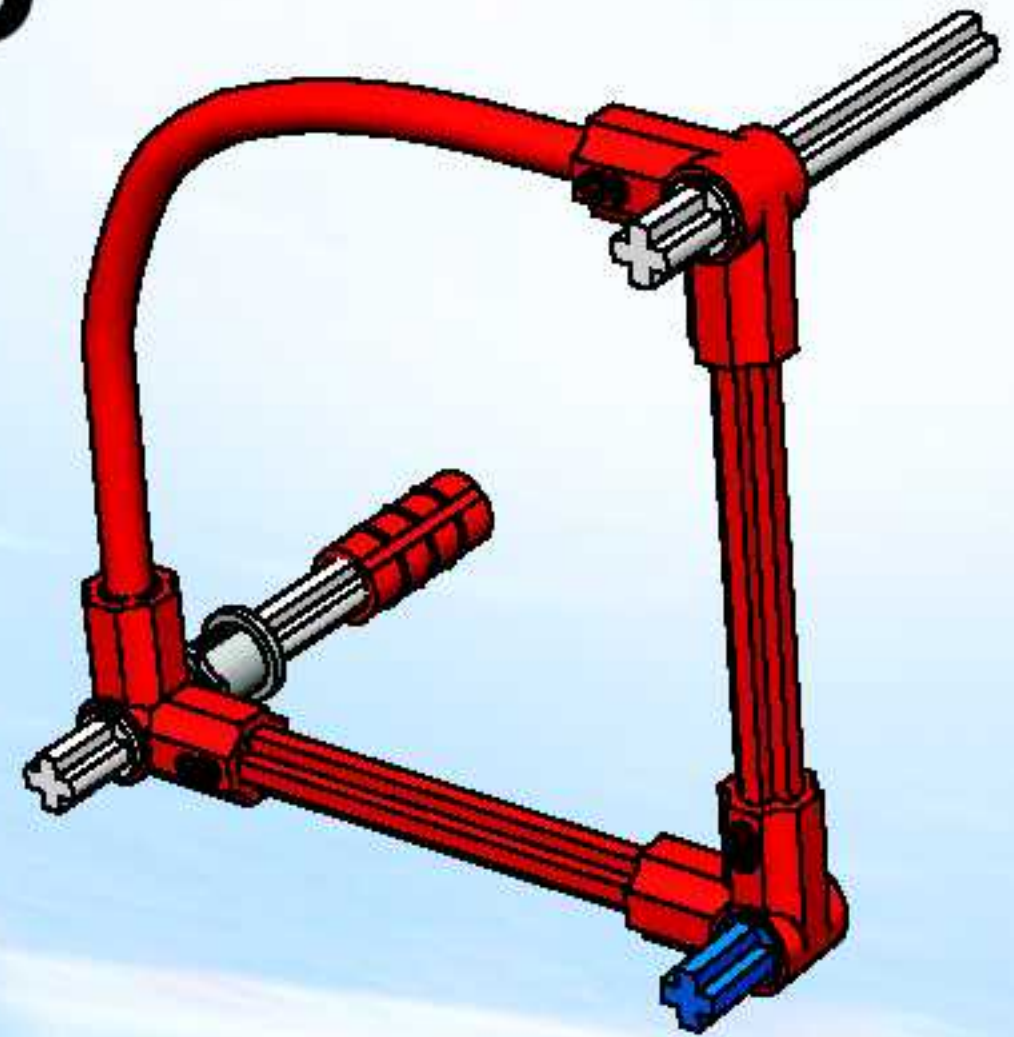
3



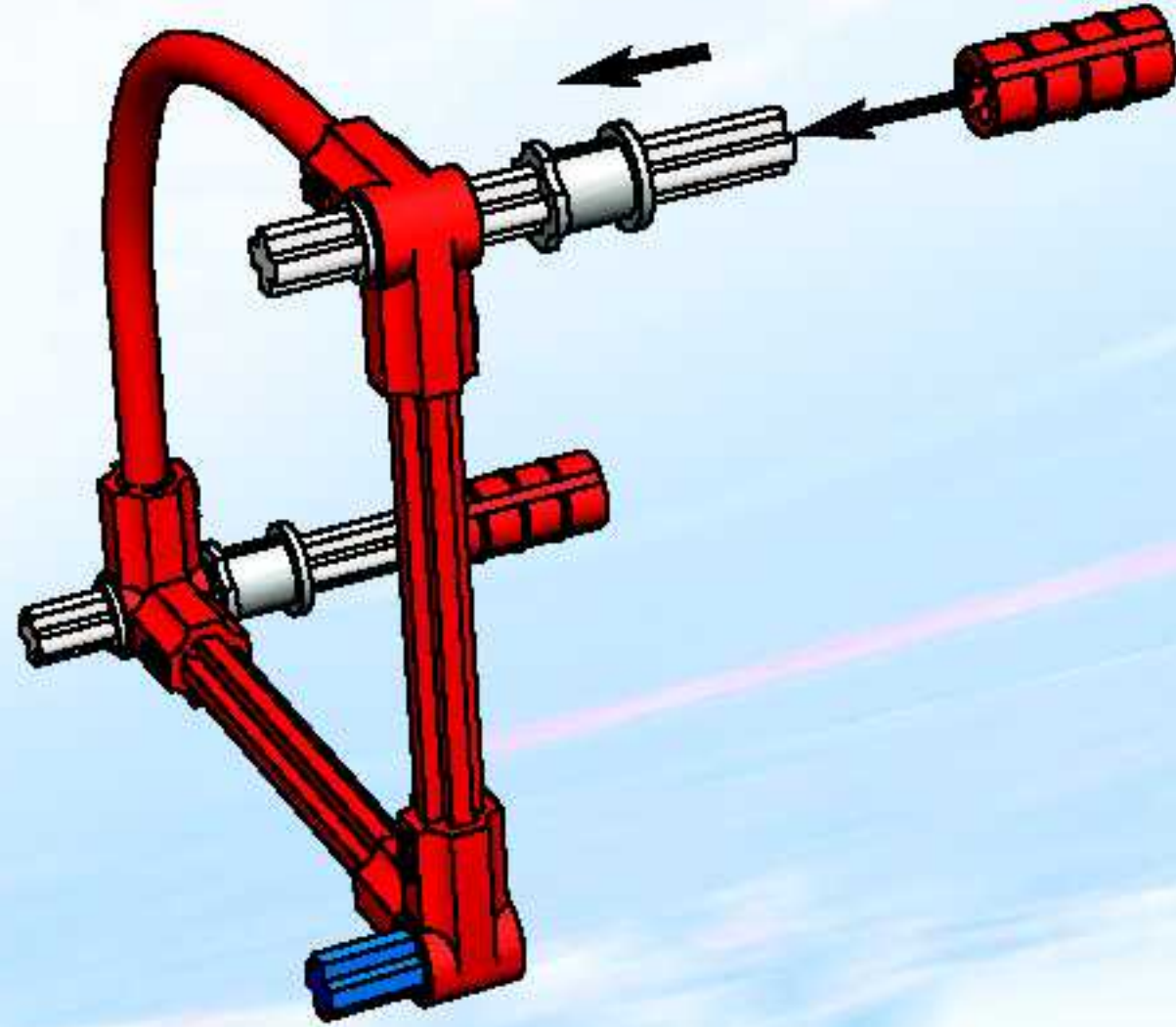
4



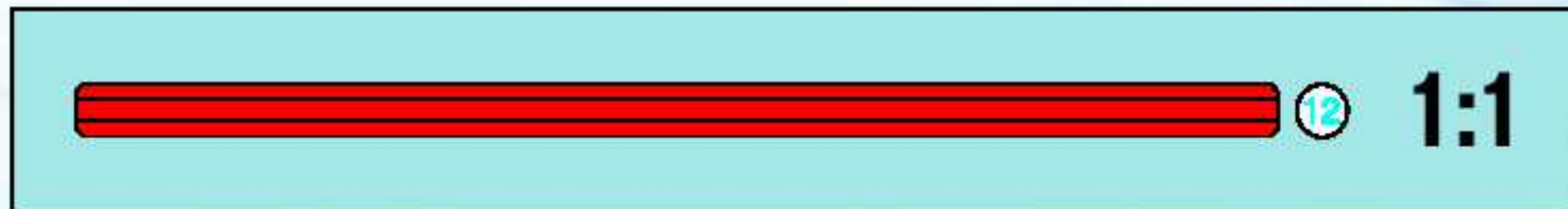
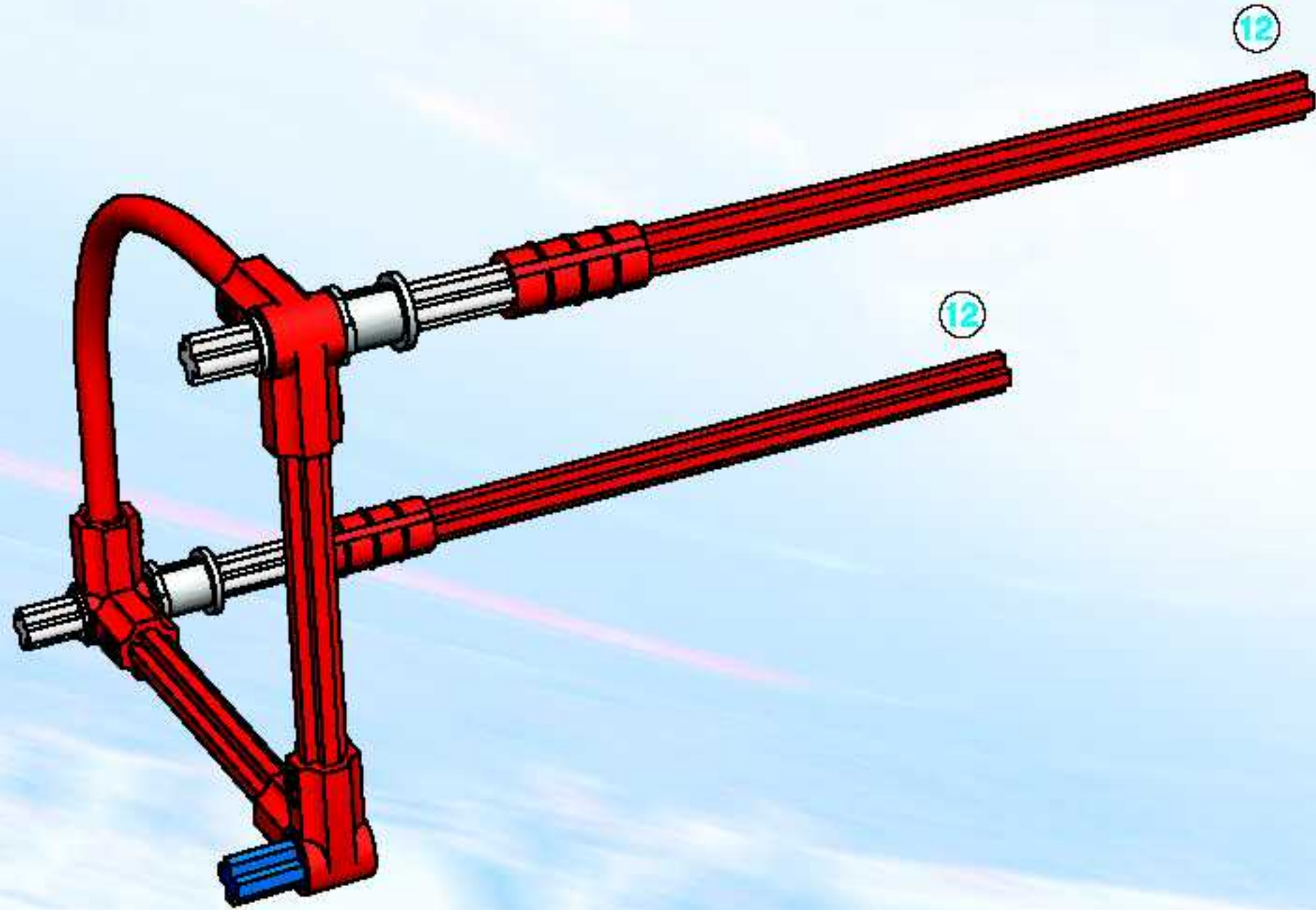
5

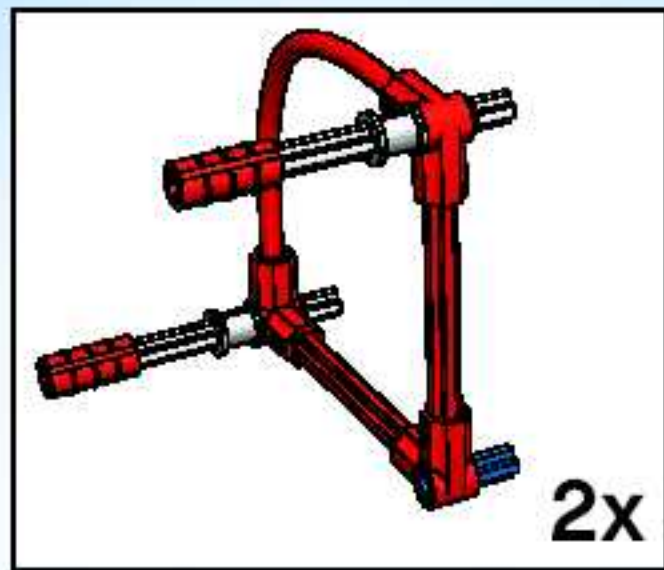


6

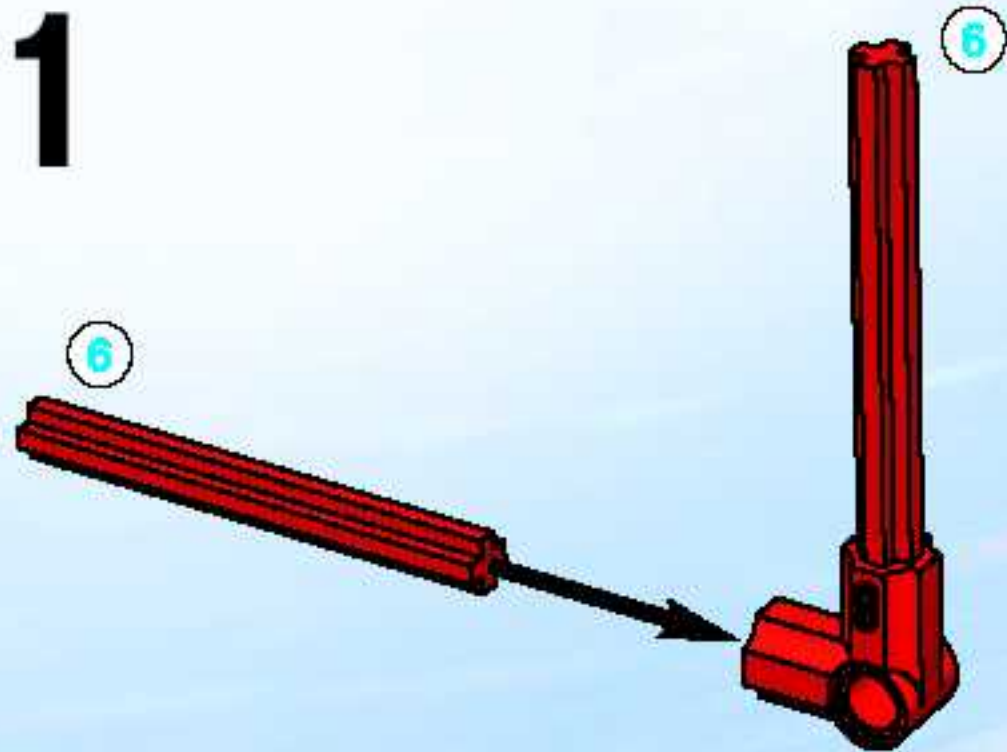


7

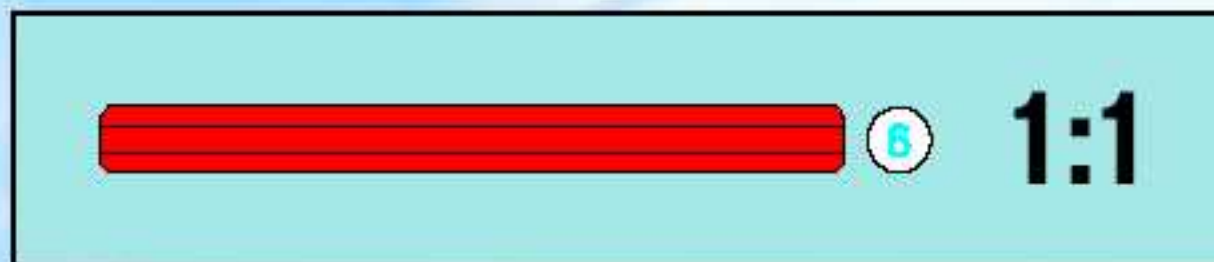
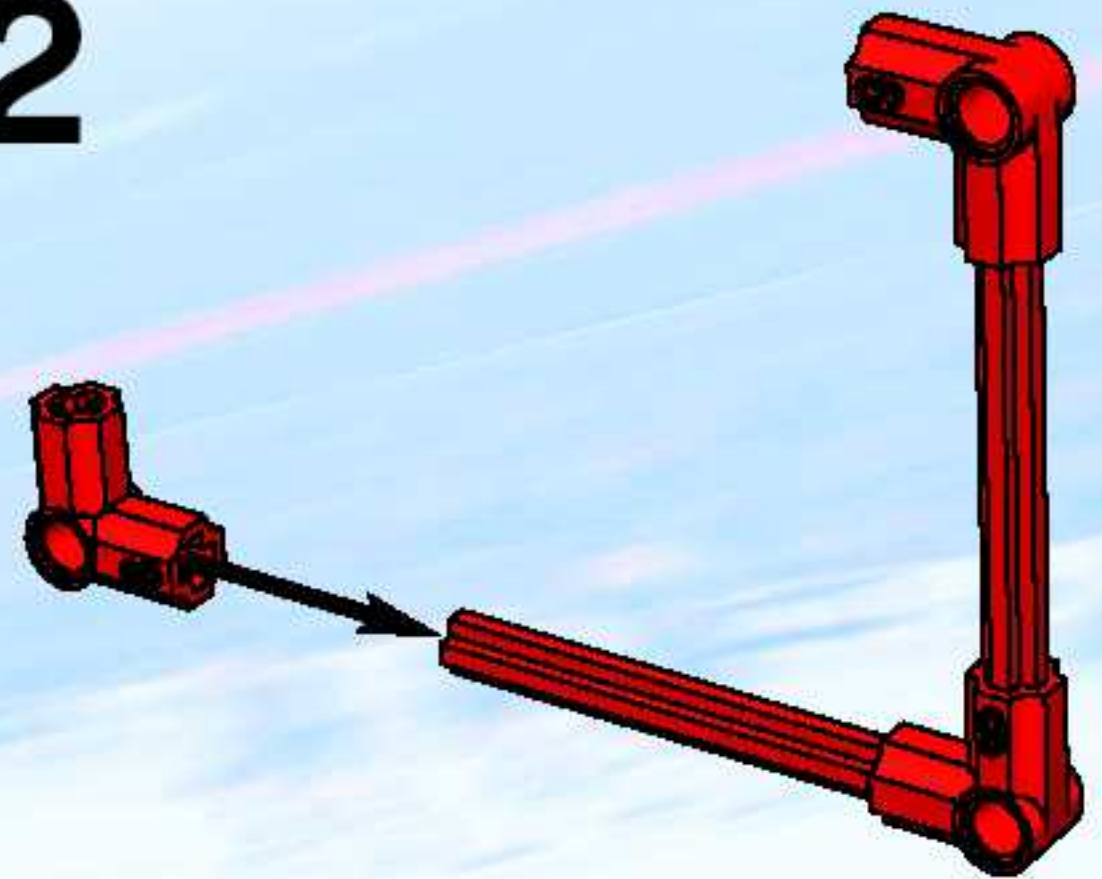




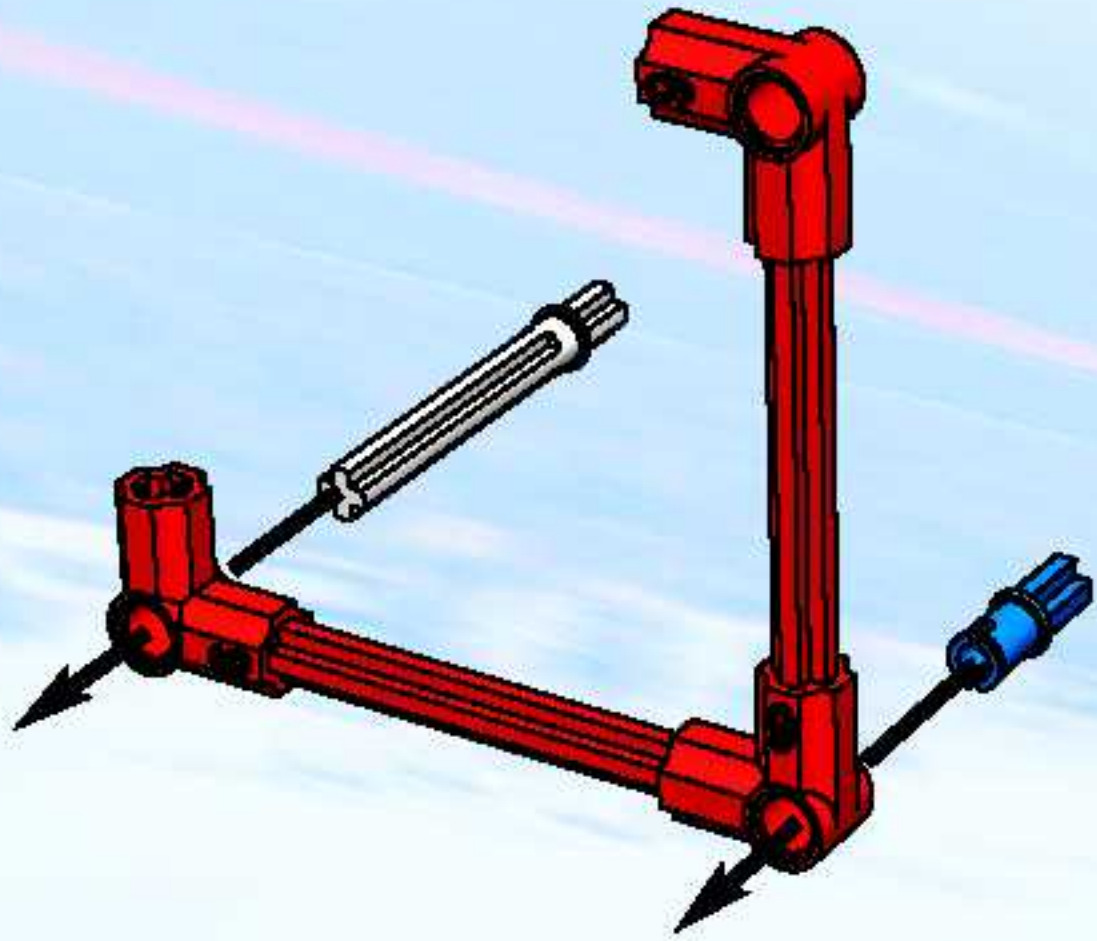
1



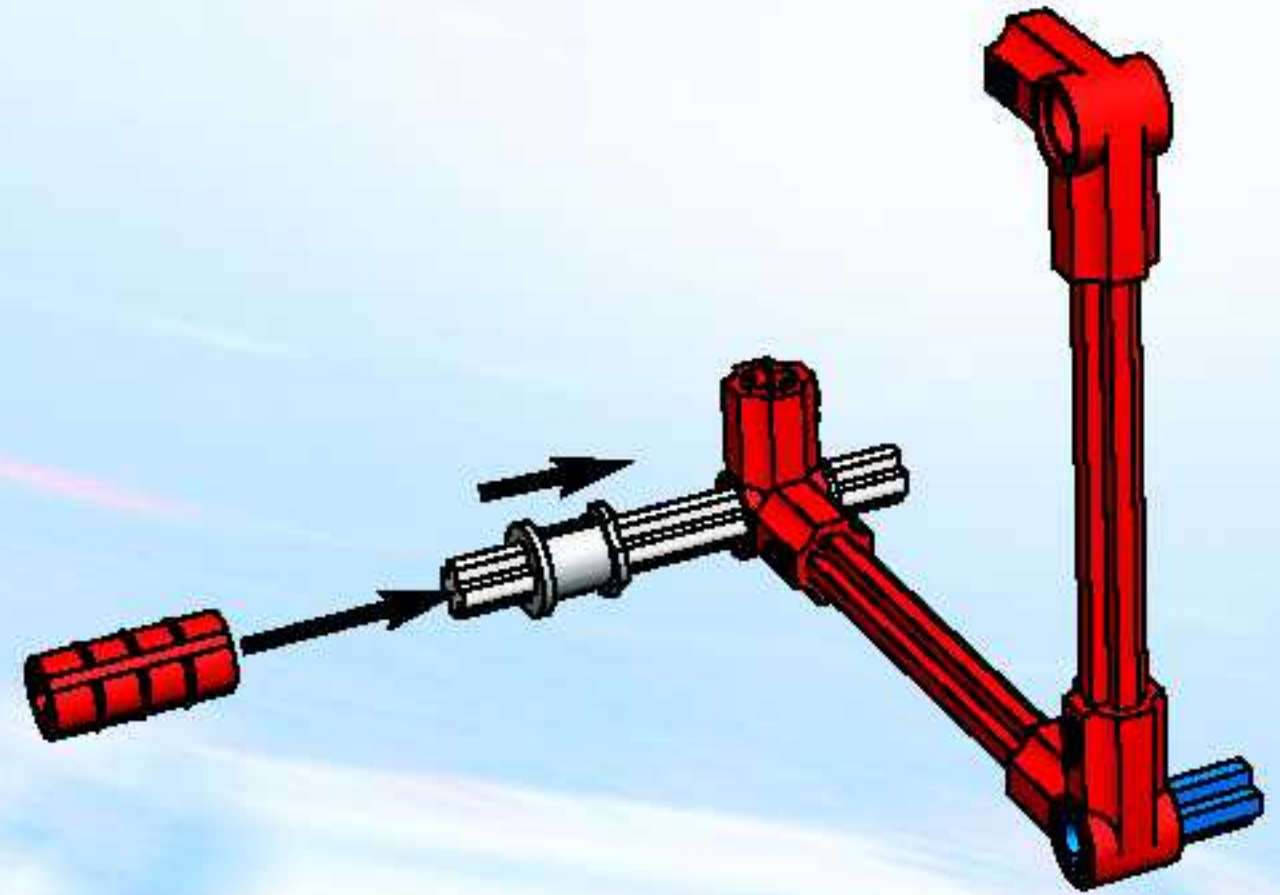
2



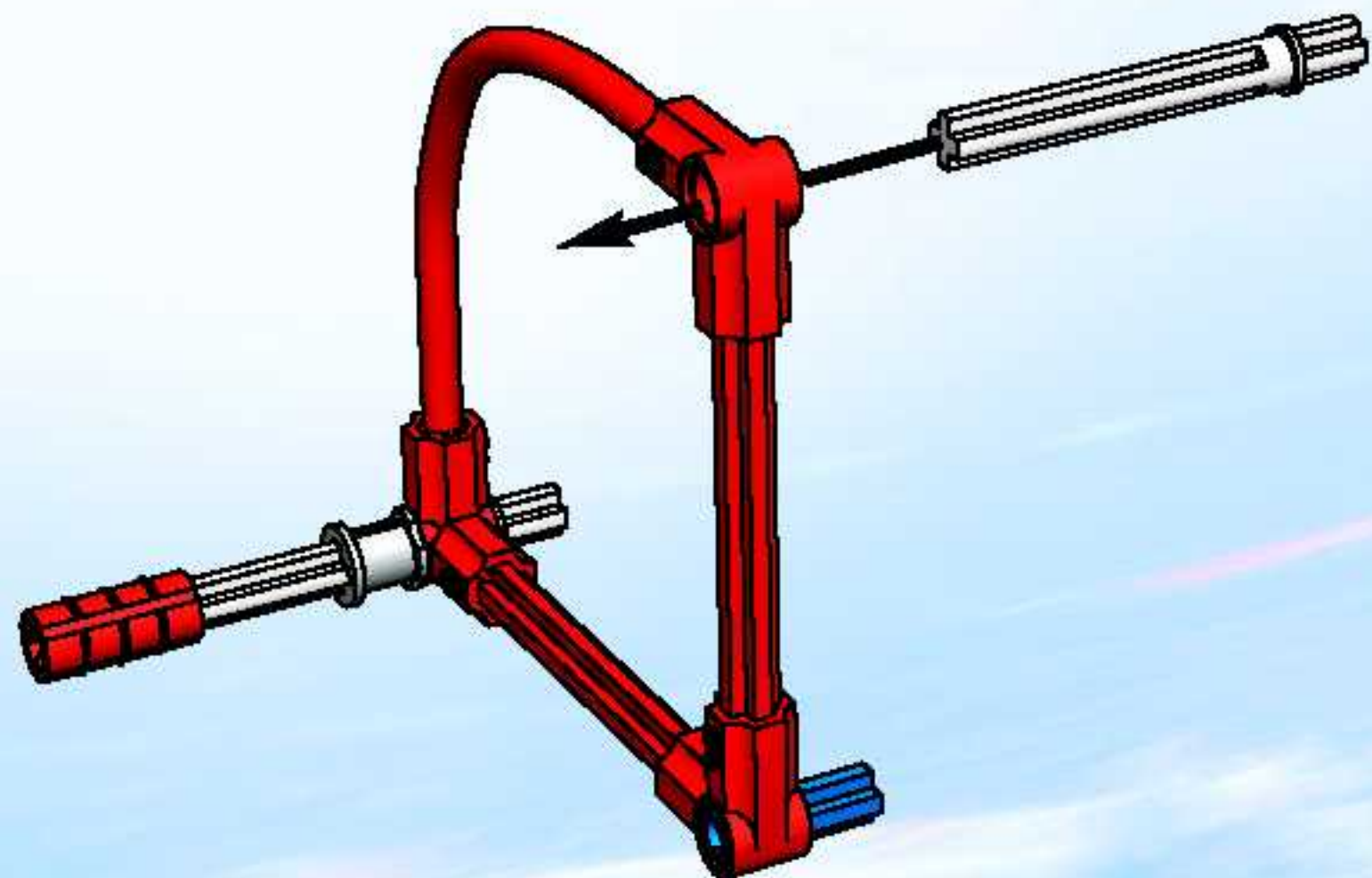
3



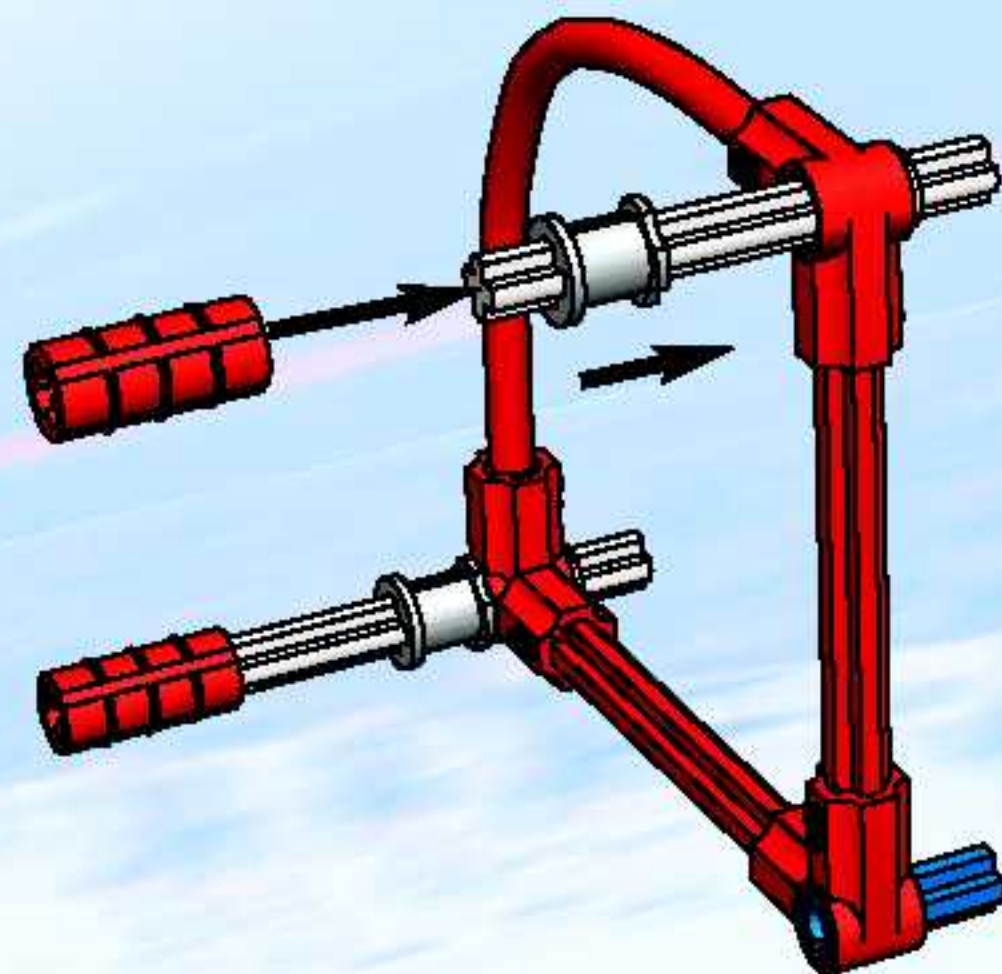
4



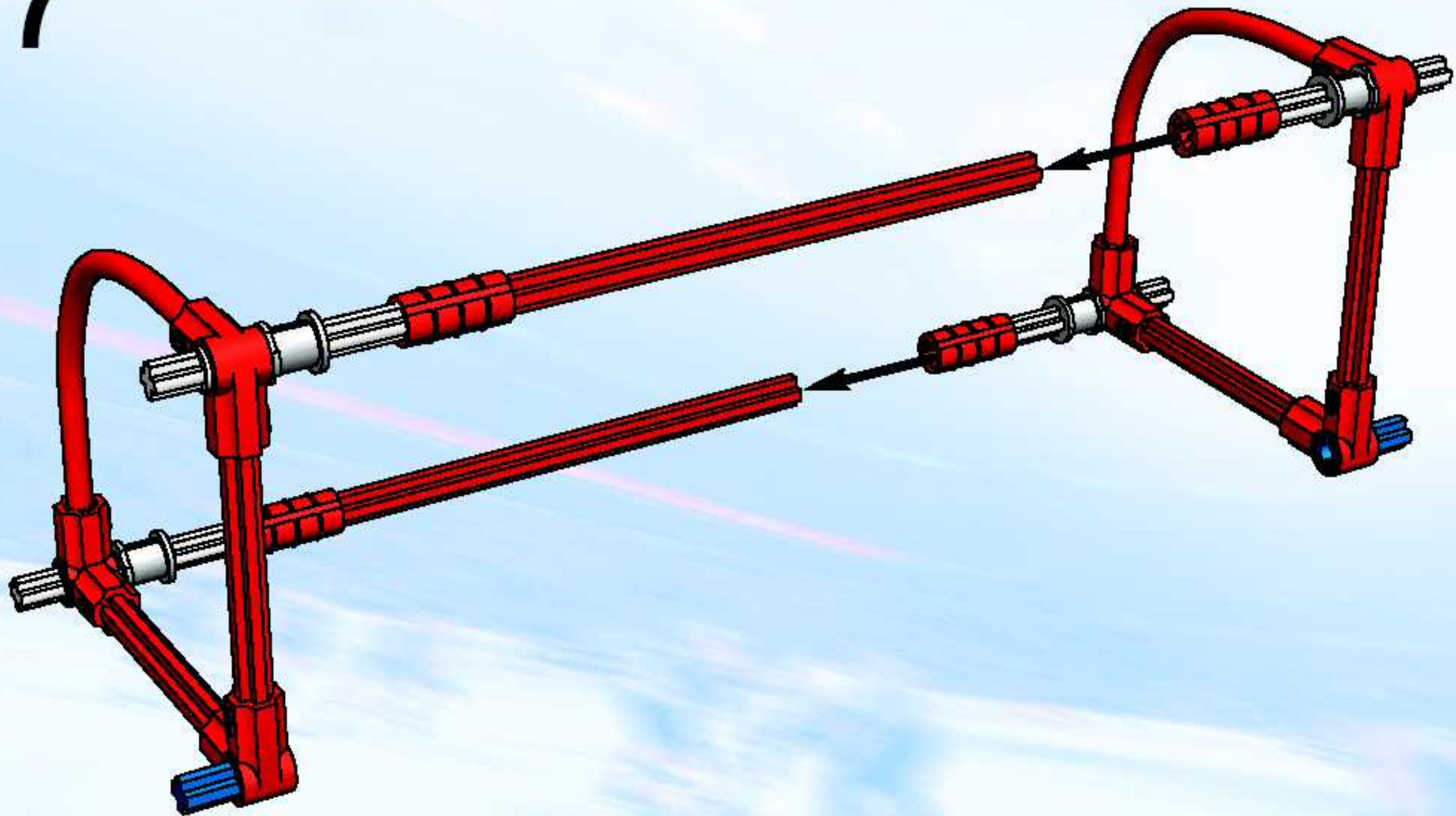
5



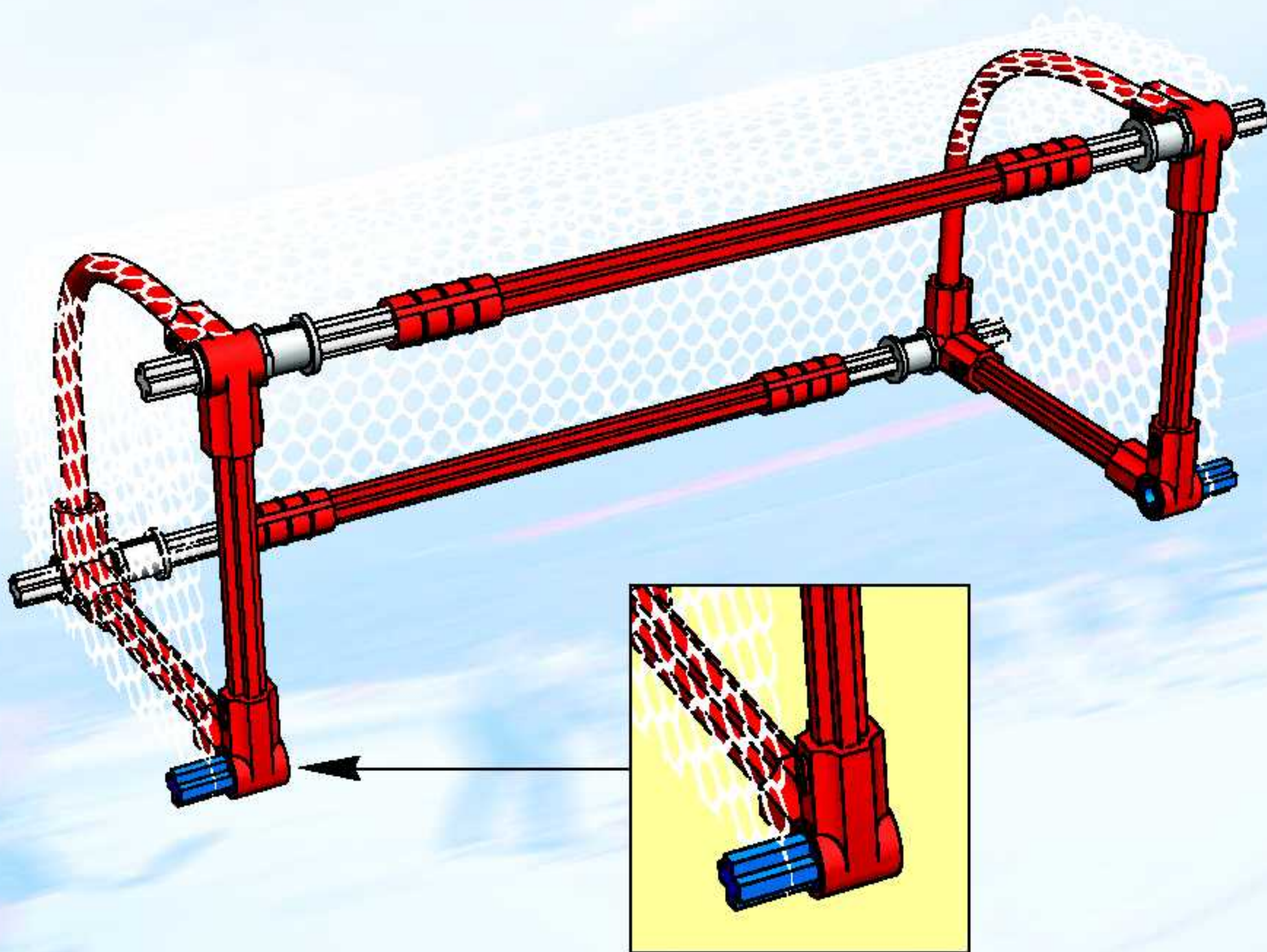
6



7



8



2x

3544 + 3545 =





LEGO



www.LEGO.com/sports

nhlpa
.COM



.COM

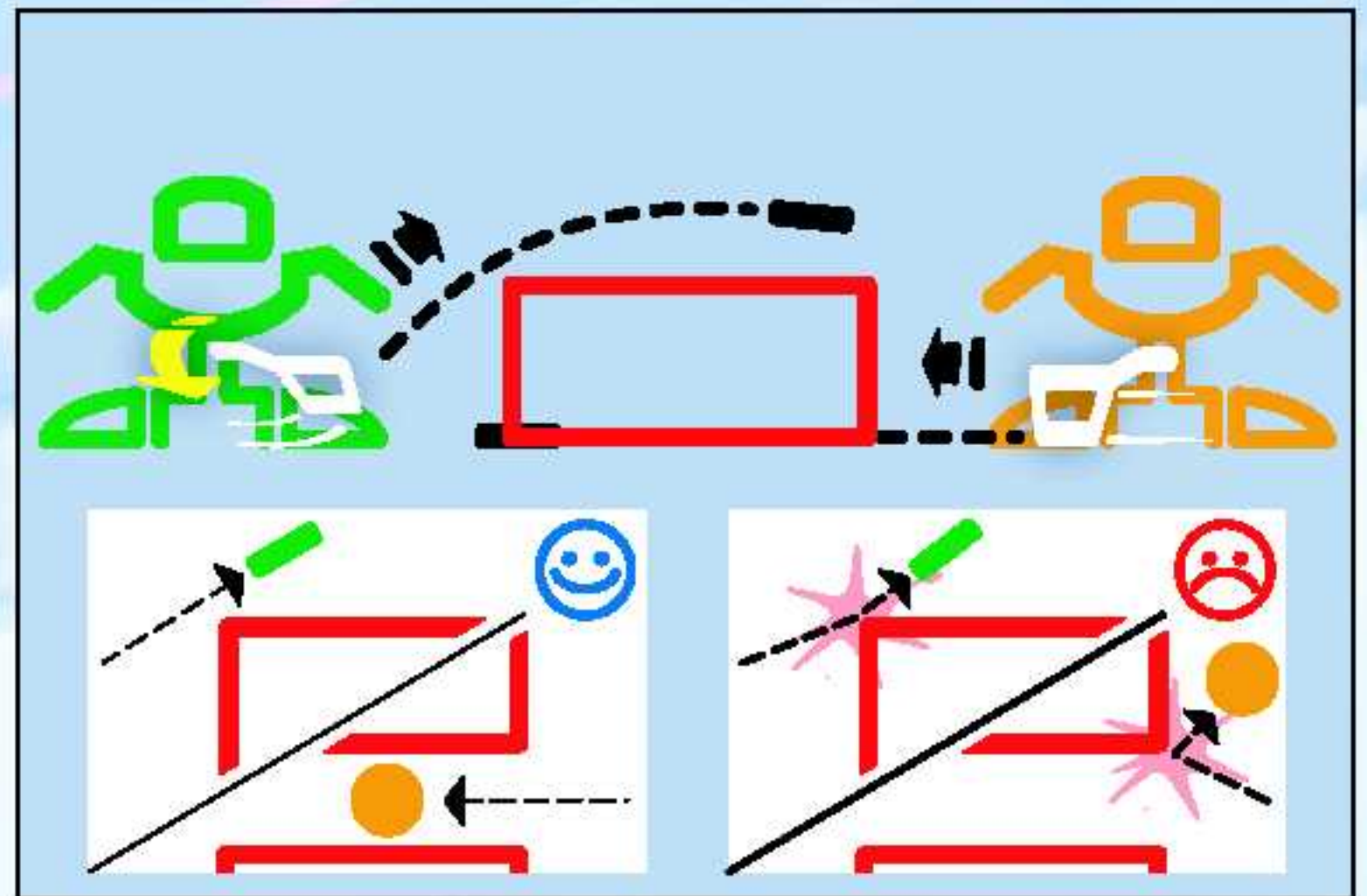
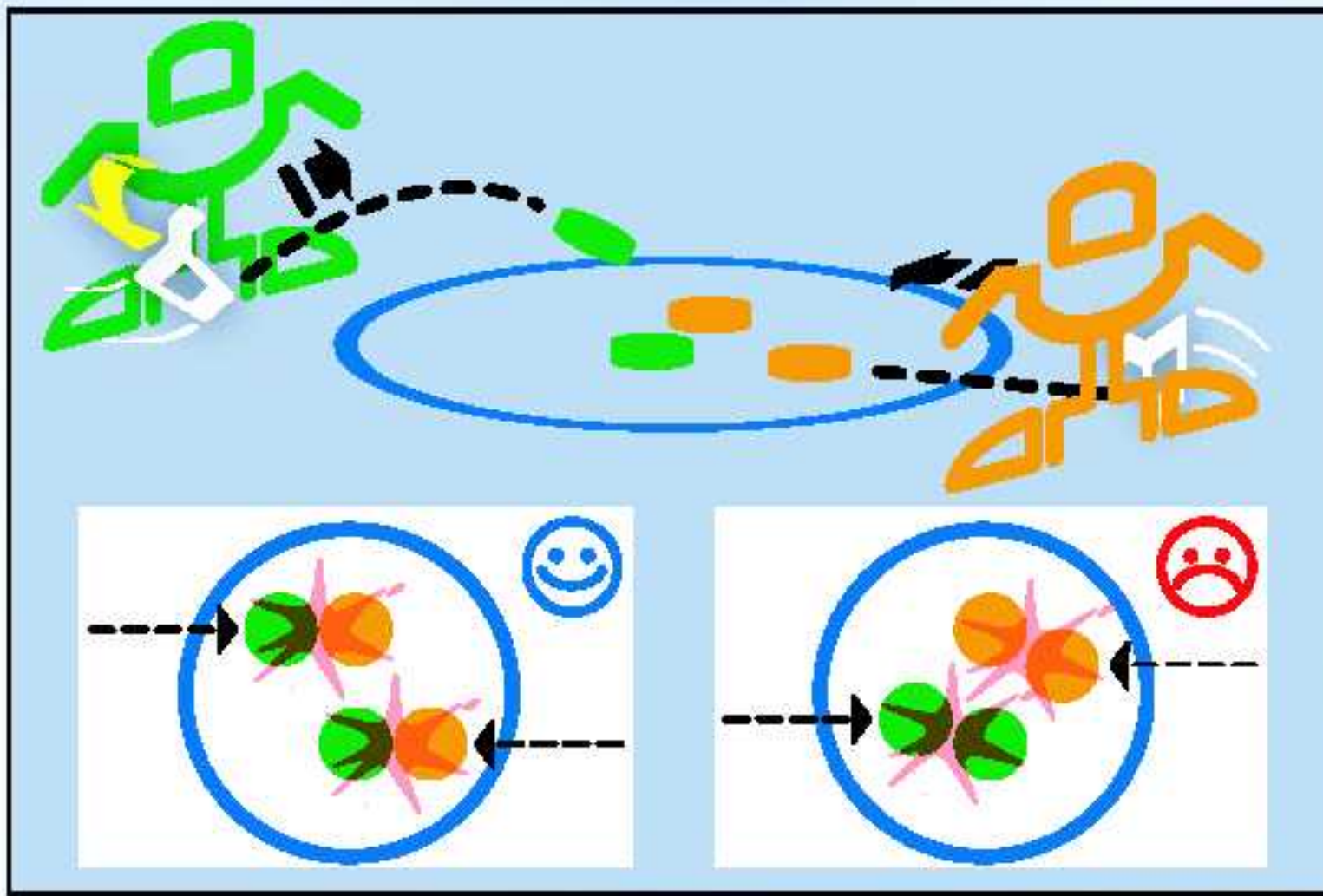
LEGO and the LEGO logo are trademarks of the LEGO Group.

©2003 The LEGO Group.

NHL and the NHL Shield are registered trademarks of the National Hockey League. All NHL logos and marks and team logos and marks depicted herein are the property of the NHL and the respective teams and may not be reproduced without the prior written consent of NHL Enterprises, L.P. © NHL 2003. All Rights Reserved.

© NHLPA. NHLPA, National Hockey League Players' Association and the NHLPA logo are trademarks of the NHLPA.





3544 Game Set






NBA identifications depicted are the exclusive property of NBA Properties, Inc. and/or the NBA Member Teams, and are used with permission.

SPALDING is a trademark of Spalding Sports Worldwide, Inc. or Lisco Sports, Inc., a Spalding affiliate.
© Spalding Sports Worldwide, Inc. 2003.



NHL and the NHL Shield are registered trademarks of the National Hockey League. All NHL logos and marks and team logos and marks depicted herein are the property of the NHL and the respective teams and may not be reproduced without the prior written consent of NHL Enterprises, L.P. © NHL 2003. All Rights Reserved.

adidas, the adidas logo and the three stripe trademark are registered trademarks of the adidas-Salomon group, used with permission. Fevernova and the Trigon logo are trademarks of the adidas-Salomon group, used with permission.

 www.LEGO.com/sports

LEGO, the LEGO logo and the Minifigure are trademarks of the LEGO Group. ©2003 The LEGO Group.