

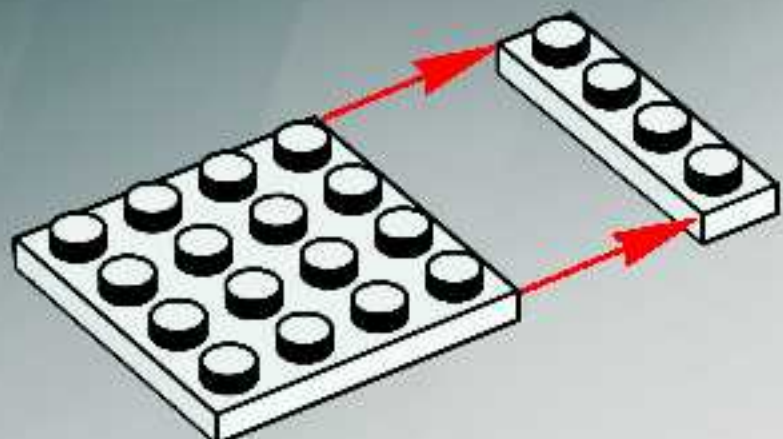


RACERS

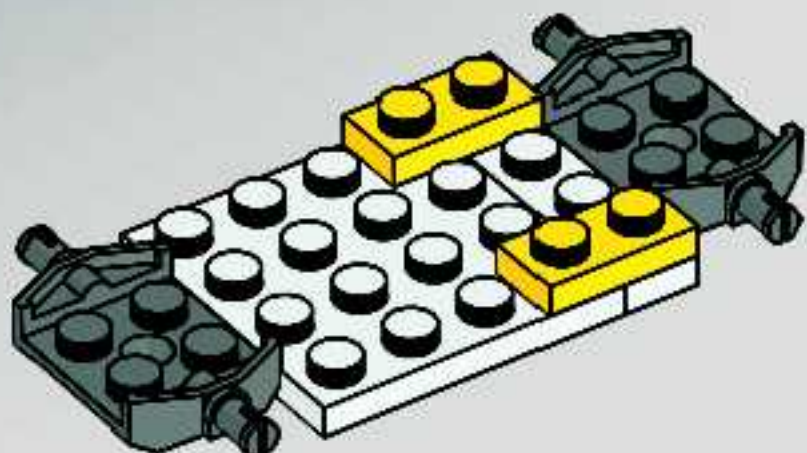
8131



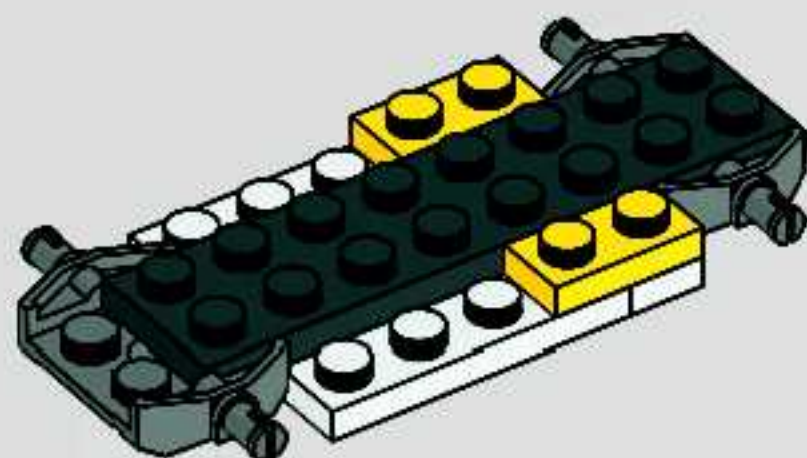
1



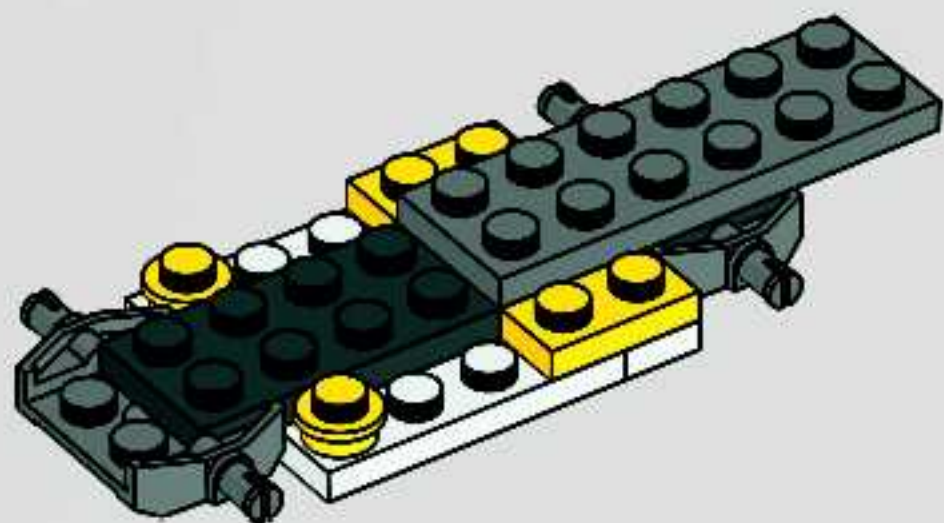
2



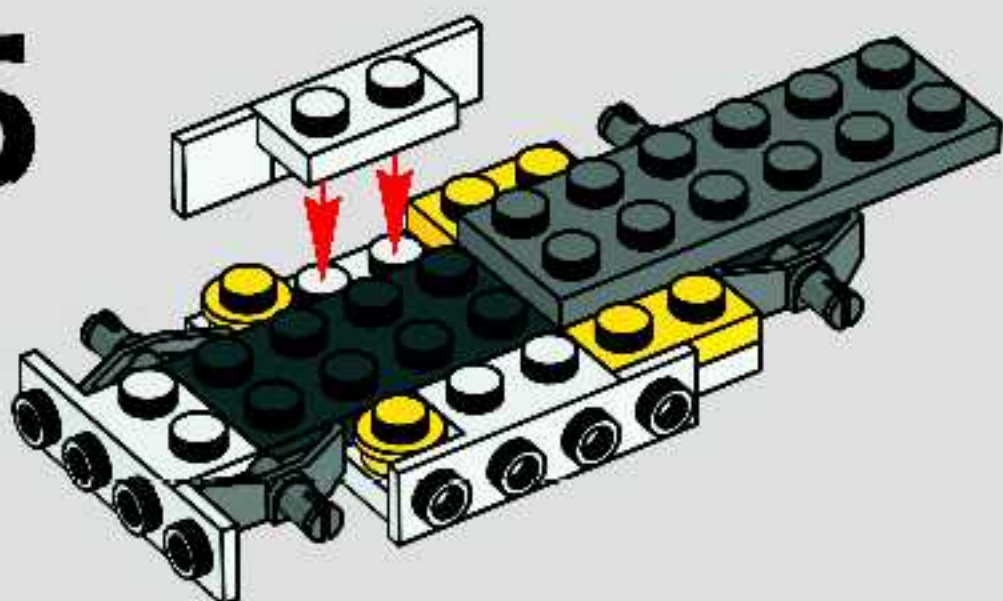
3



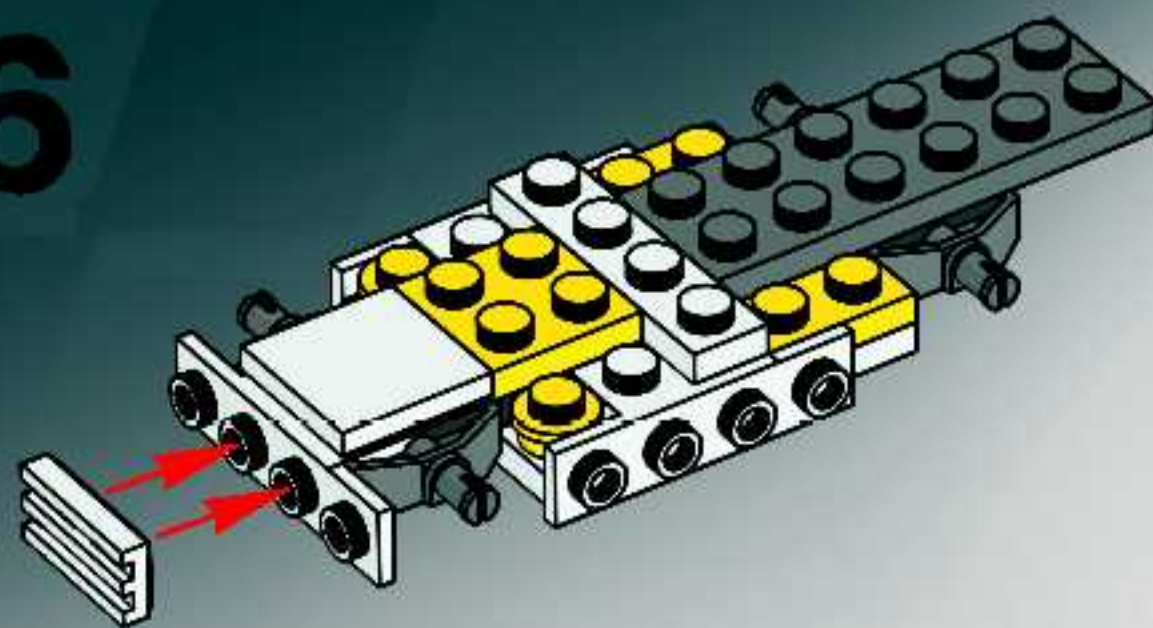
4



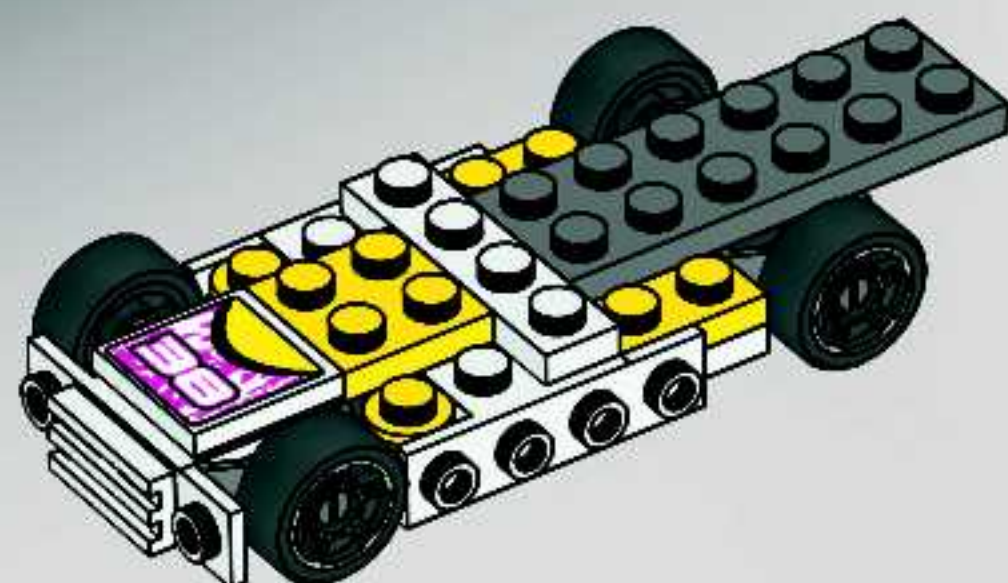
5



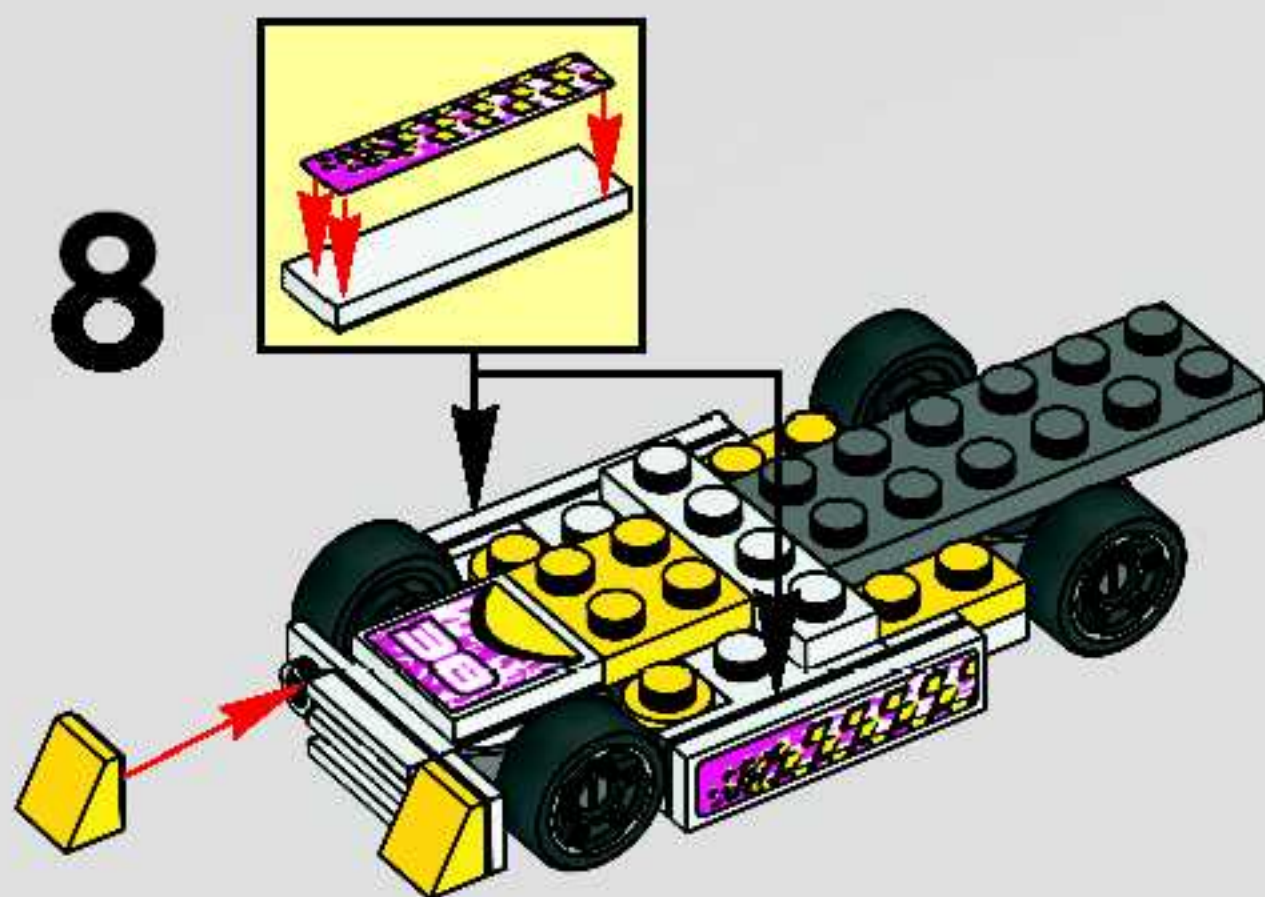
6



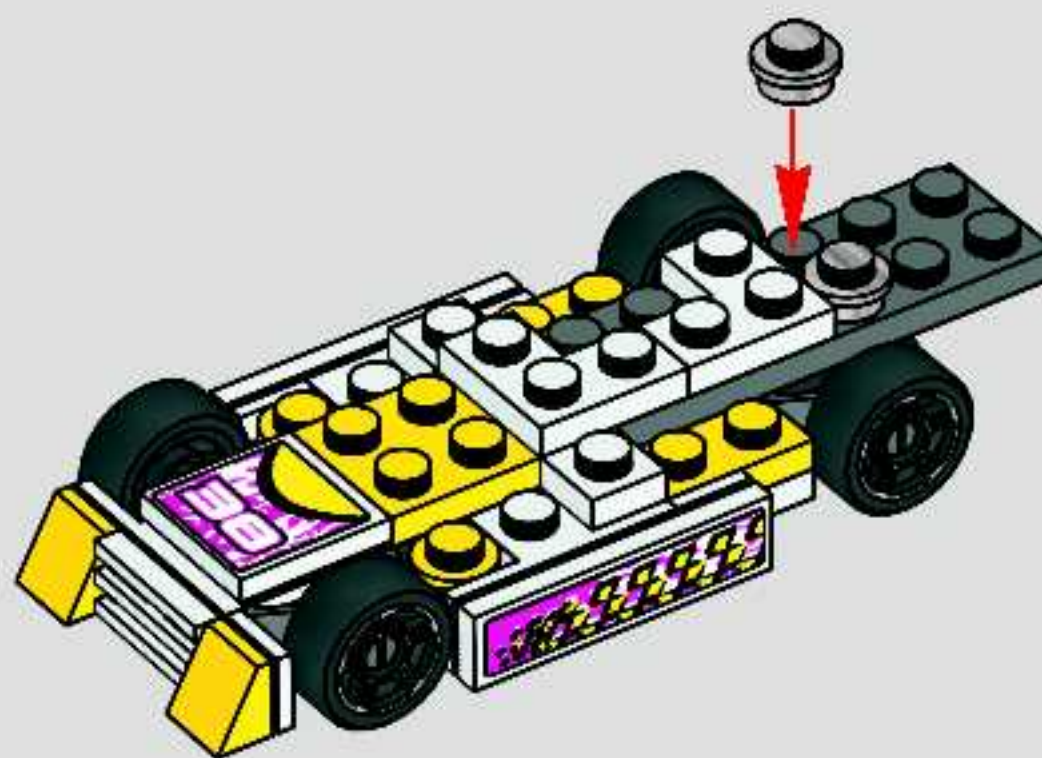
7



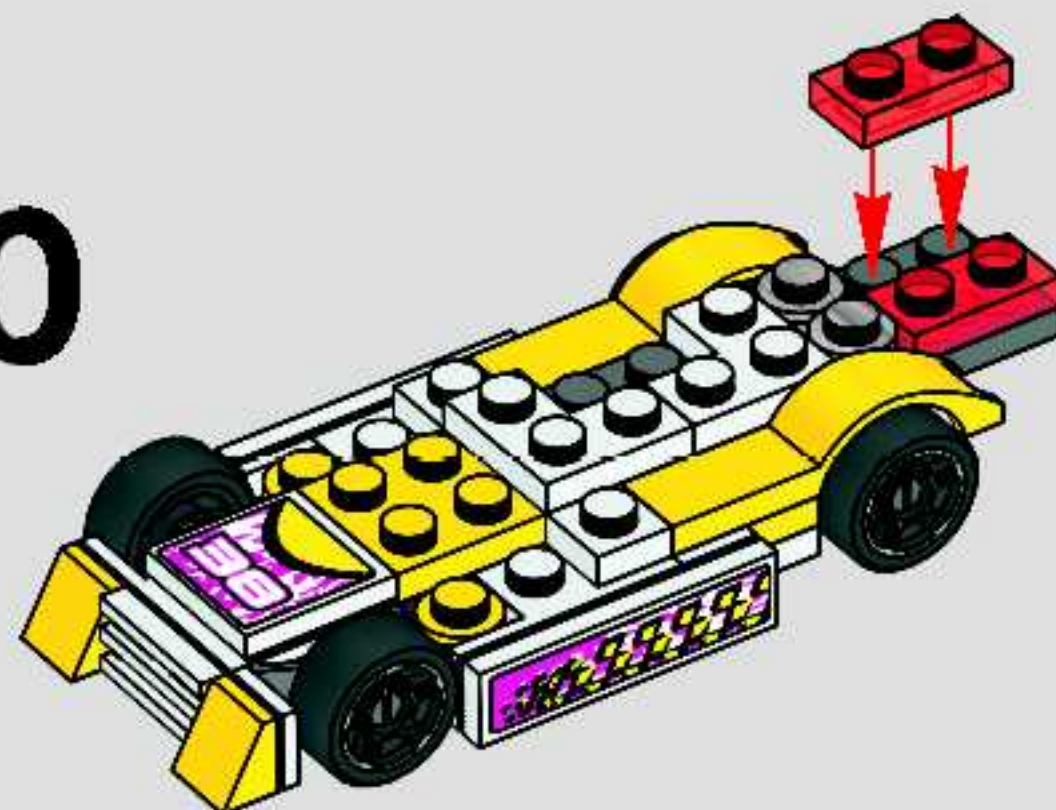
8



9



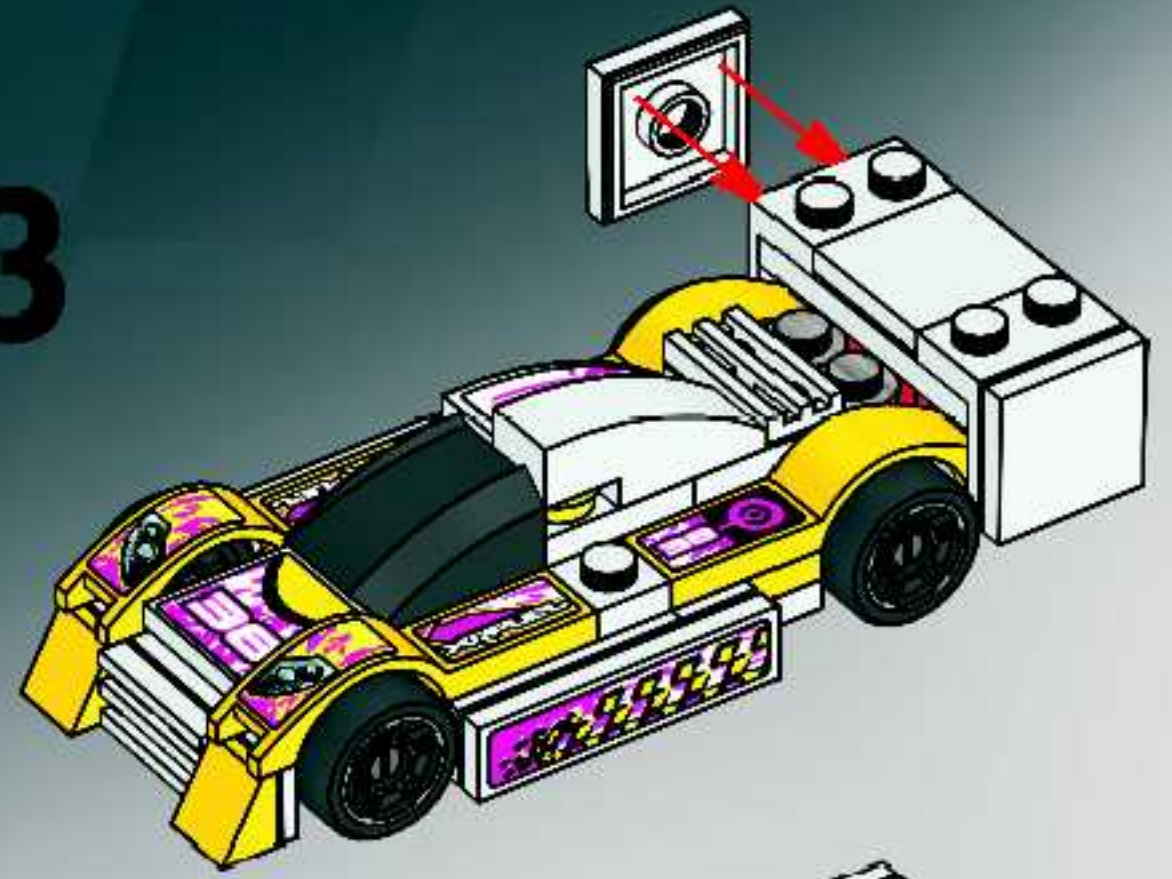
10



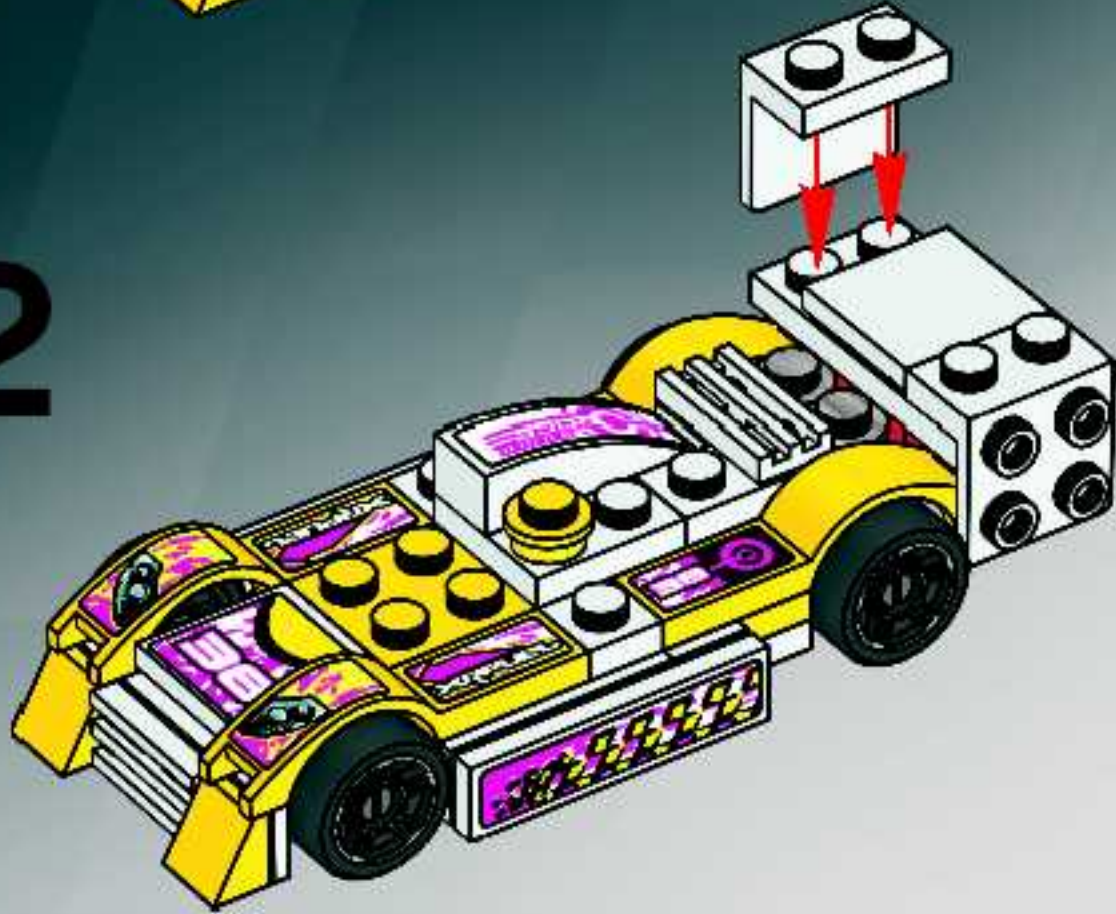
11



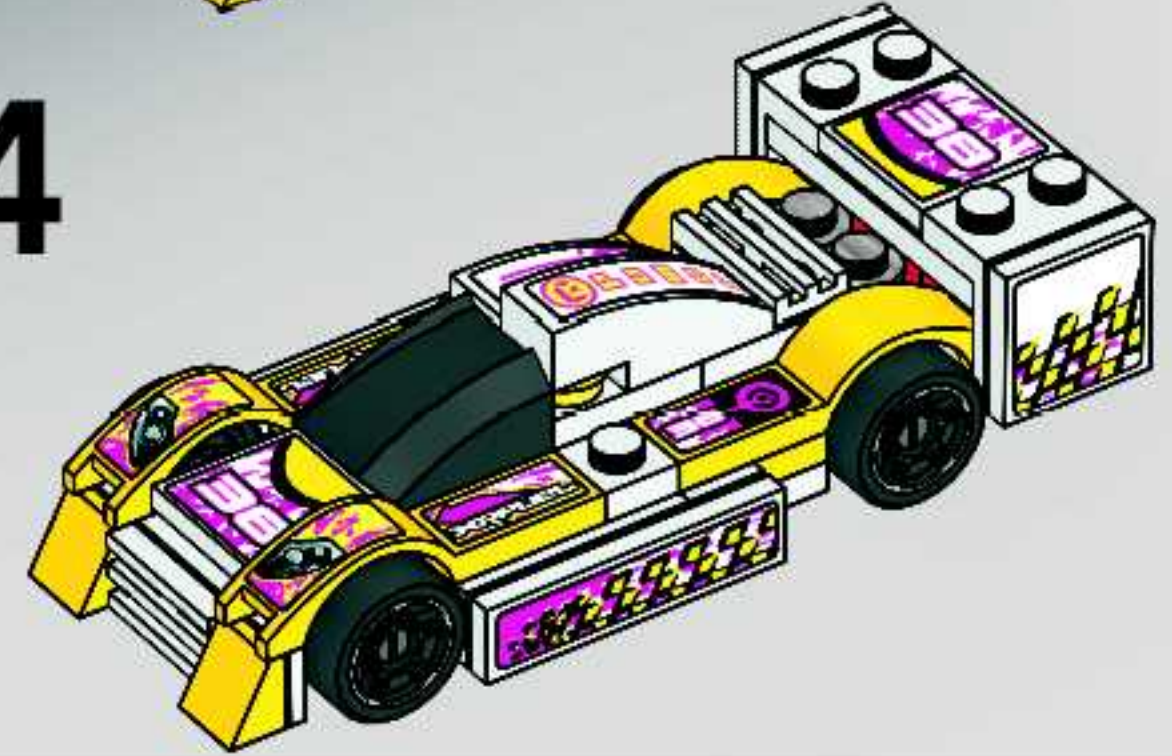
13



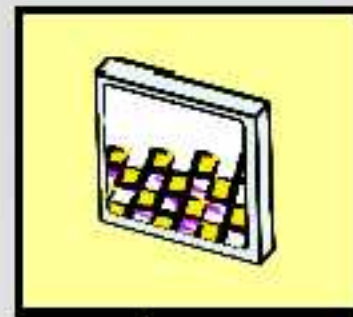
12



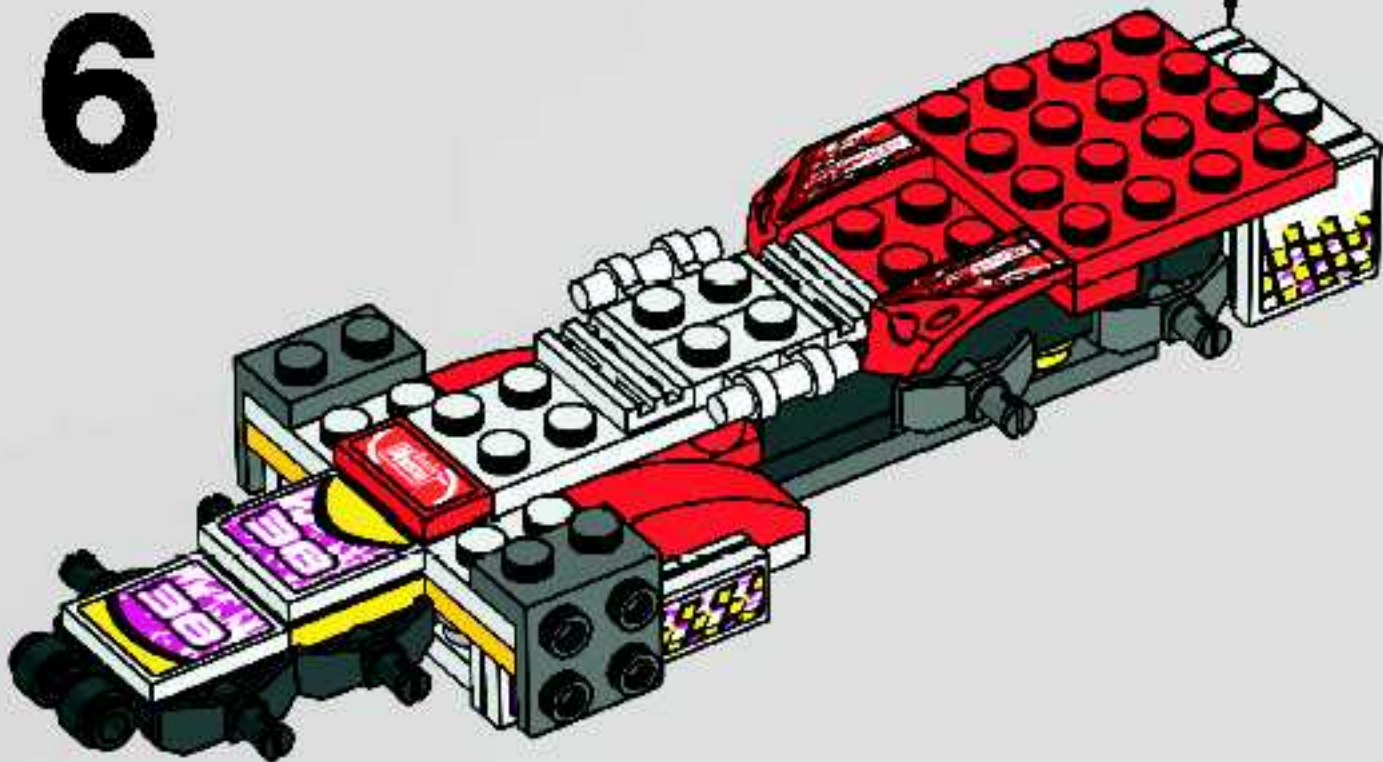
14



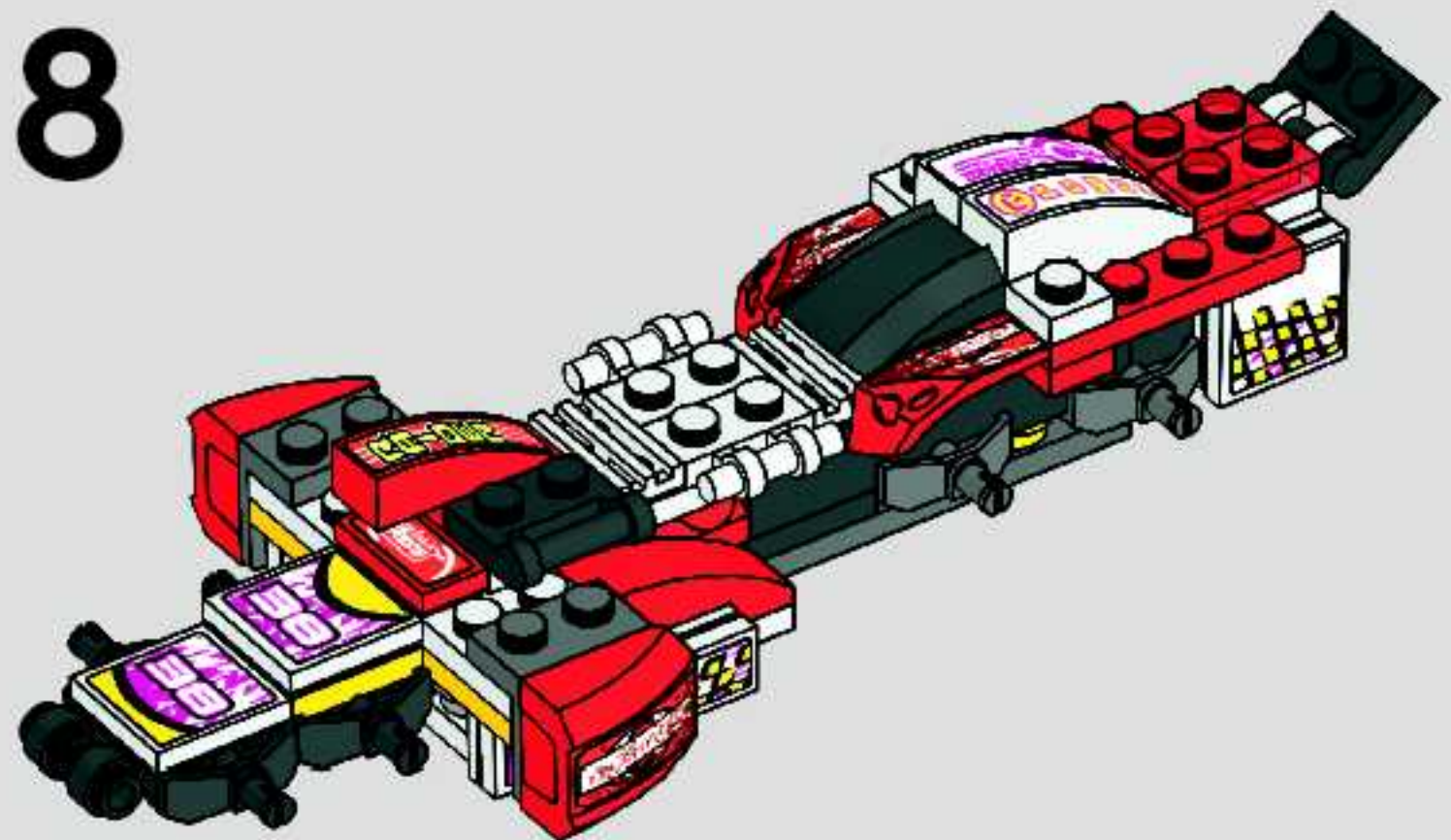
8130 + 8131 combimodel



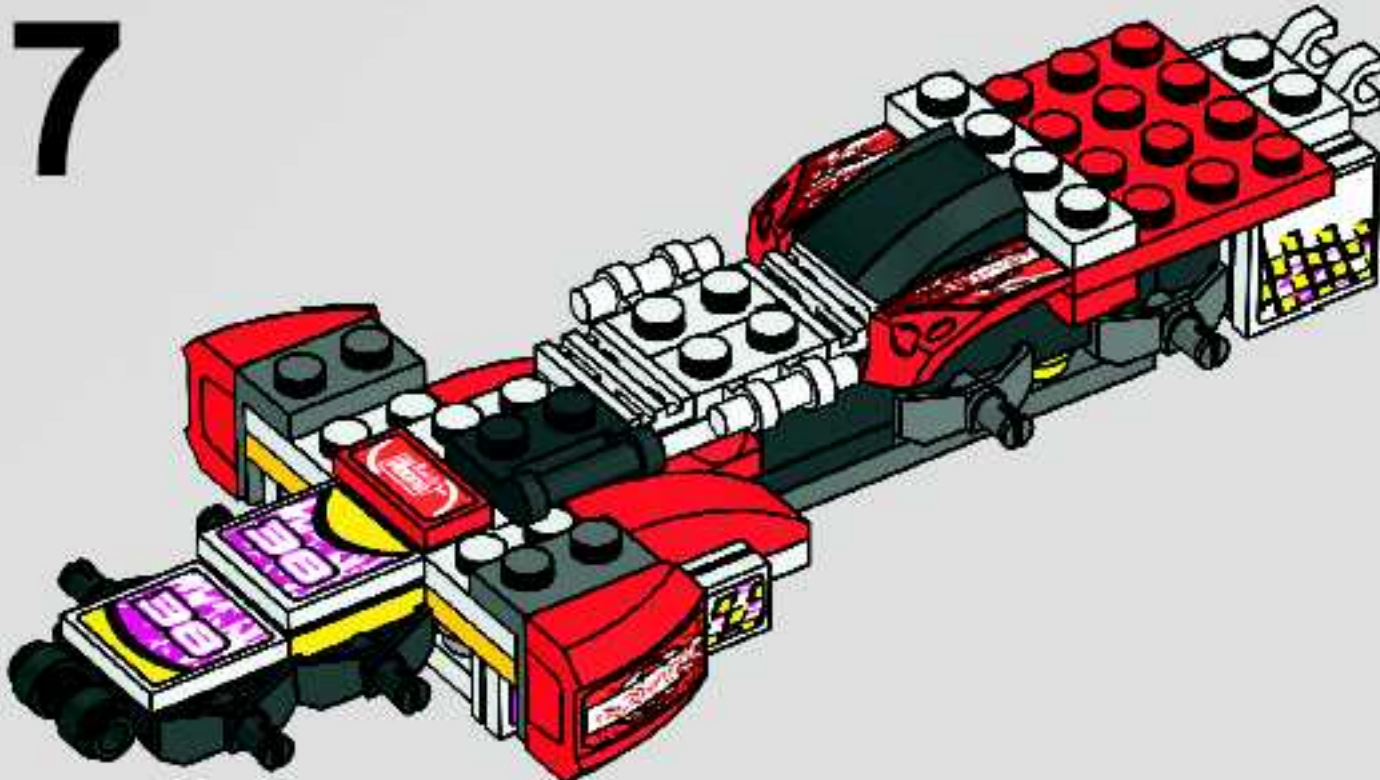
6



8



7



9

