



TECHNIC™

42150





Get excited about our new packaging!

We're switching from plastic to paper-based packaging. That's why you might find a mix of paper and plastic in our boxes!

Nos nouveaux emballages vous emballeront !

Nous passons des emballages en plastique aux emballages à base de papier. C'est pourquoi vous pourriez trouver un mélange de papier et de plastique dans nos boîtes !

¡Te presentamos nuestros nuevos empaques!

Estamos sustituyendo las bolsas de plástico por bolsas con base de papel. ¡Por eso, puedes encontrar una mezcla de papel y de plástico en nuestras cajas!

[LEGO.com/sustainable-packaging](https://www.lego.com/sustainable-packaging)



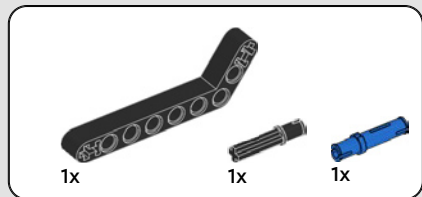
BUILDER



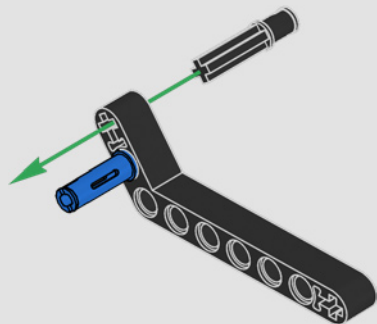
Apple and the Apple logo are trademarks of Apple Inc., registered in the U.S. and other countries and regions. App Store is a service mark of Apple Inc. Google Play and the Google Play logo are trademarks of Google LLC. Tencent and the Tencent logo are trademarks of Tencent Inc.

Q [LEGO.com/devicecheck](https://www.lego.com/devicecheck)

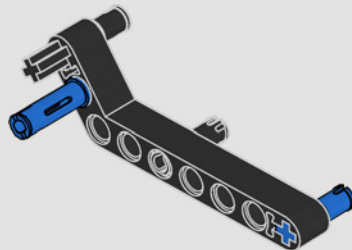
EN Ask parents' permission before going online | **DE** Eltern um Erlaubnis bitten, bevor du online gehst | **FR** Demande l'autorisation d'un parent avant d'aller en ligne | **IT** Chiedi il permesso ai tuoi genitori prima di andare online | **ES** Pídeles permiso a tus papás antes de conectarte a Internet | **PT** Pede autorização aos pais antes de acederes online | **JA** オンラインになる前に ほか者の方のきよかをもらおう | **ZH** 上网前应先征得父母的同意 | **KO** 온라인 접속 전에 보호자 동의가 필요합니다 | **RU** Спроси разрешения у родителей, прежде чем заходить в интернет | **PL** Poproś rodziców o zgodę, zanim wejdziesz do Internetu | **CS** Než půjdeš na internet, požádej rodiče o svolení | **SK** Skôr než pôjdeš na internet, vypýtaj si povolenie od rodičov | **HU** Kérj szülői engedélyt, mielőtt online csatlakoznál! | **RO** Cere permisiunea părinților înainte de a te conecta online | **BG** Поискайте разрешение от родител, преди да влезете онлайн | **LV** Pirms došanās tiešsaistē palūdz atļauju vecākiem | **ET** Enne Interneti kasutamist küsi vanematelt luba | **LT** Prieš prisijungdami prie interneto, atsklauskite tėvų

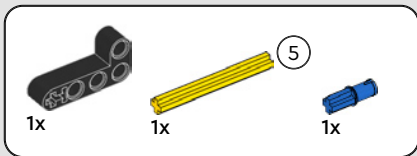


1

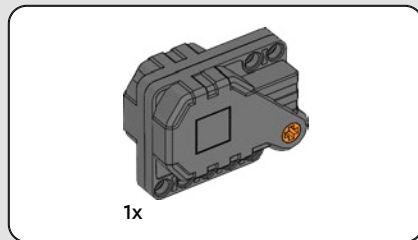
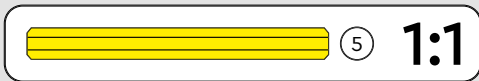
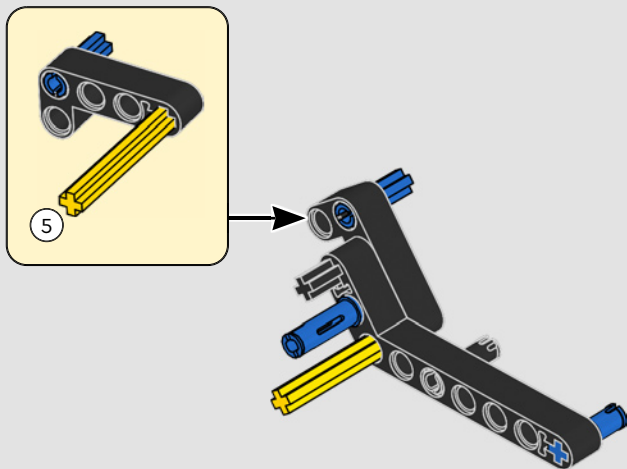


2

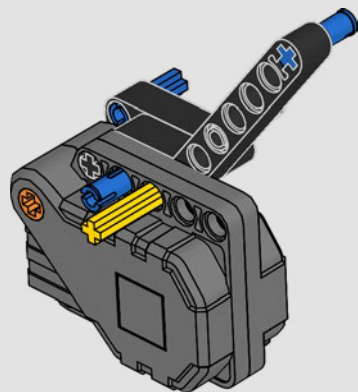


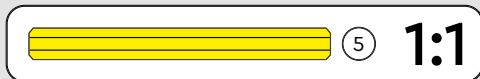
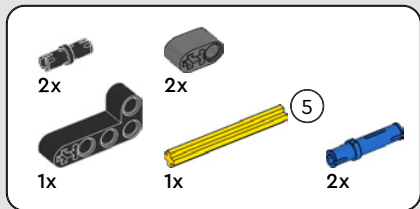


3

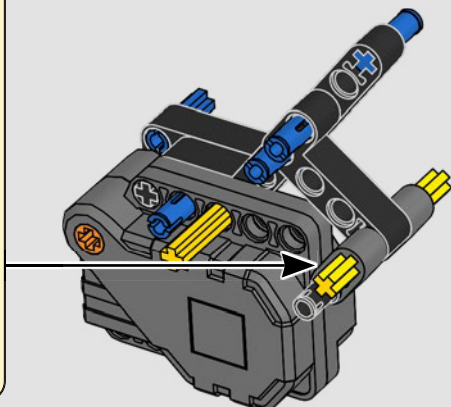
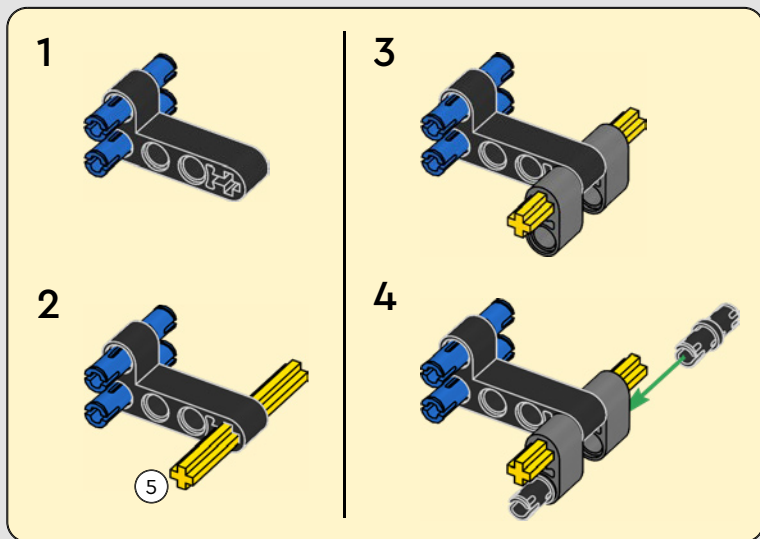


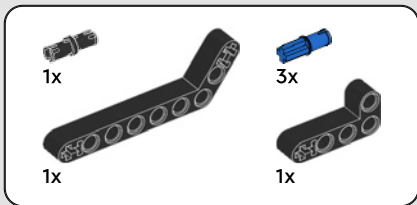
4



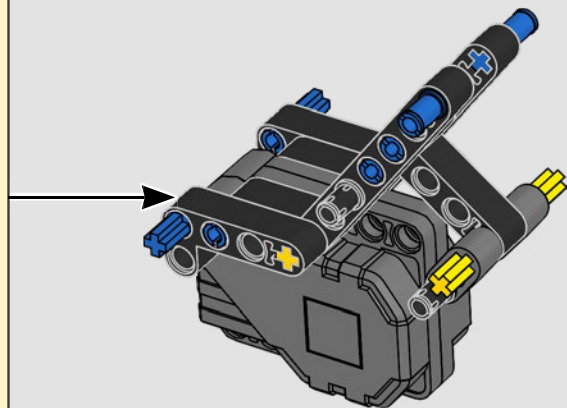
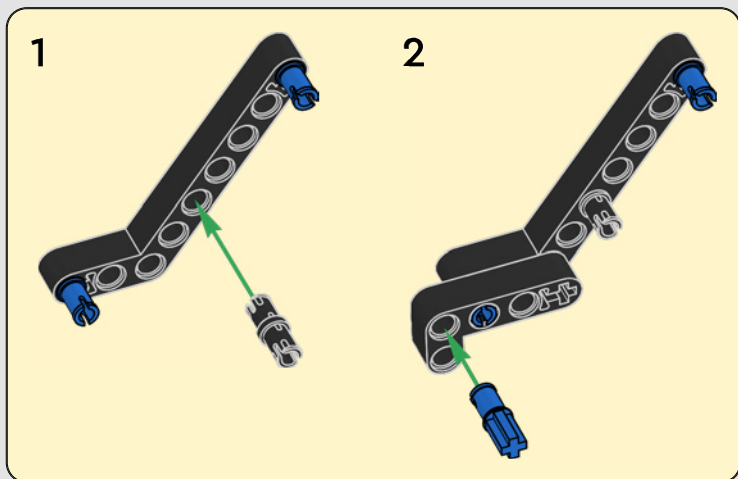


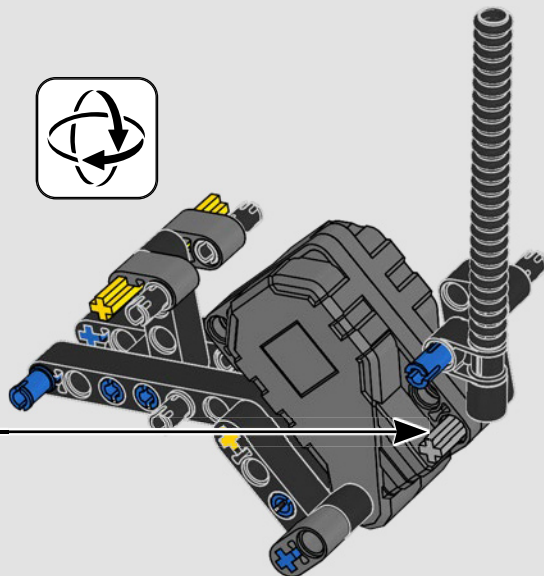
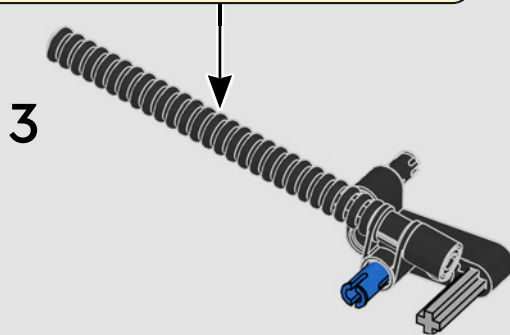
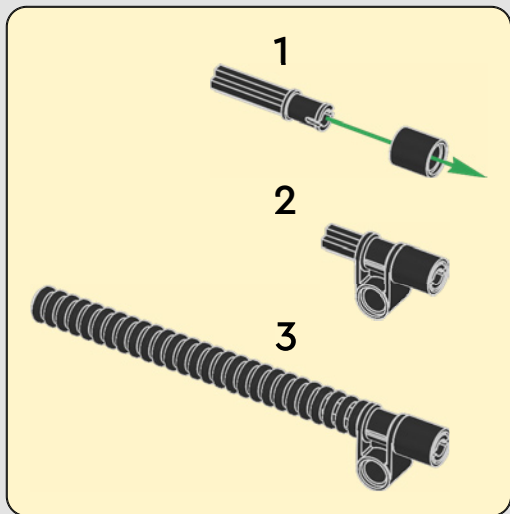
5

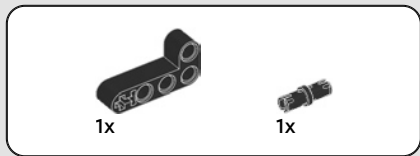




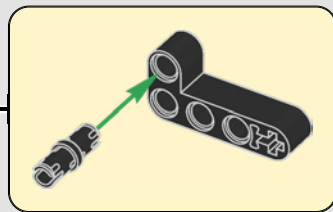
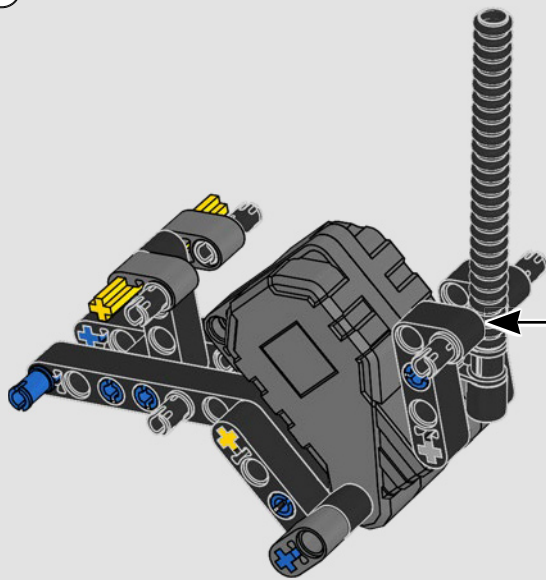
6

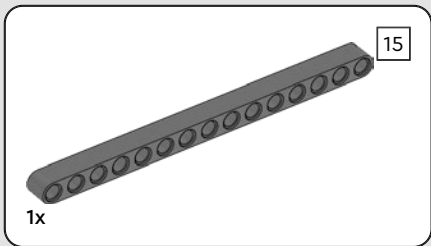




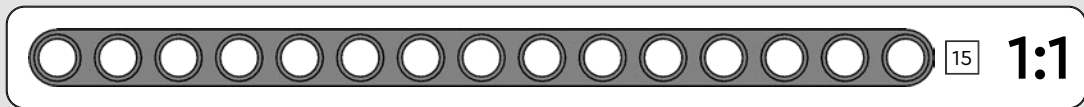
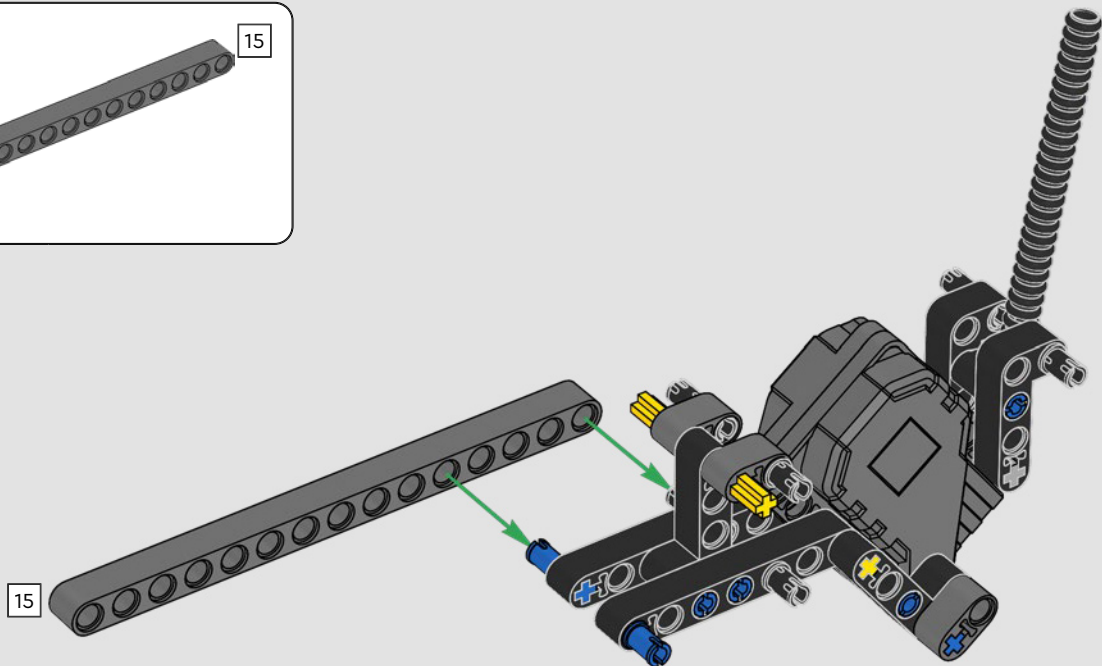


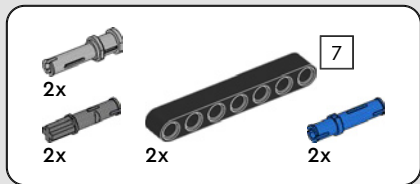
9





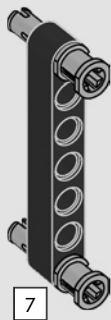
10



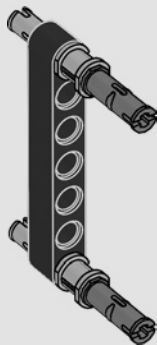


11

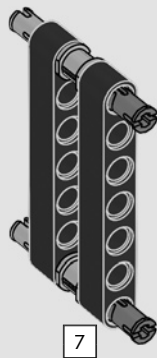
1



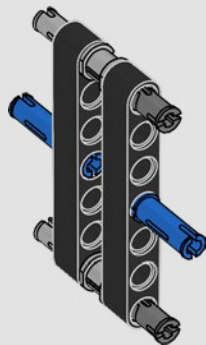
2

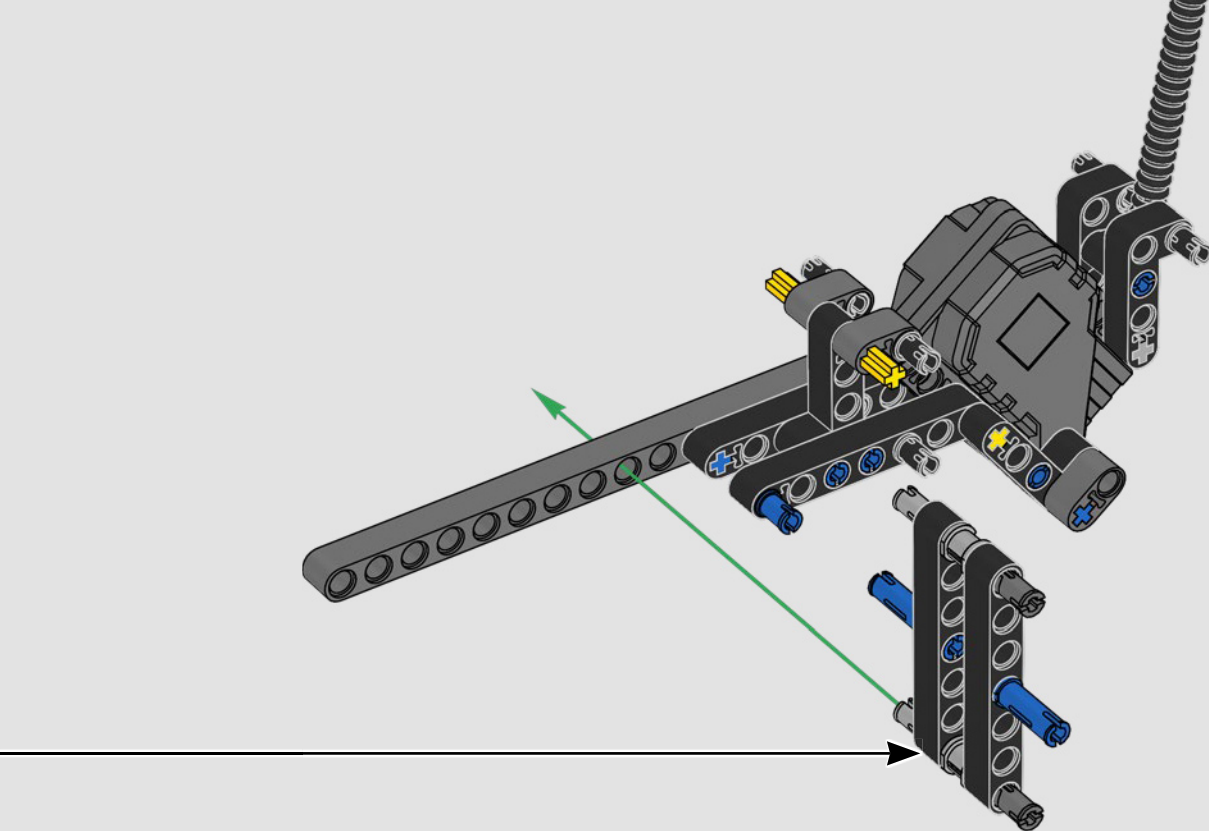


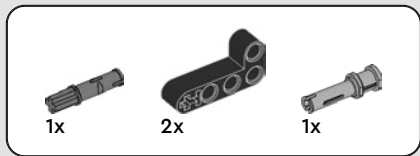
3



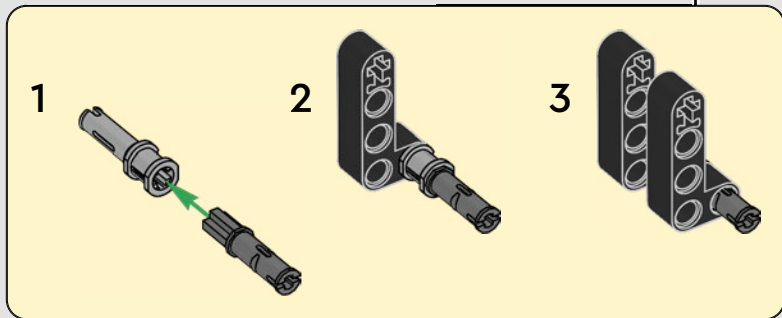
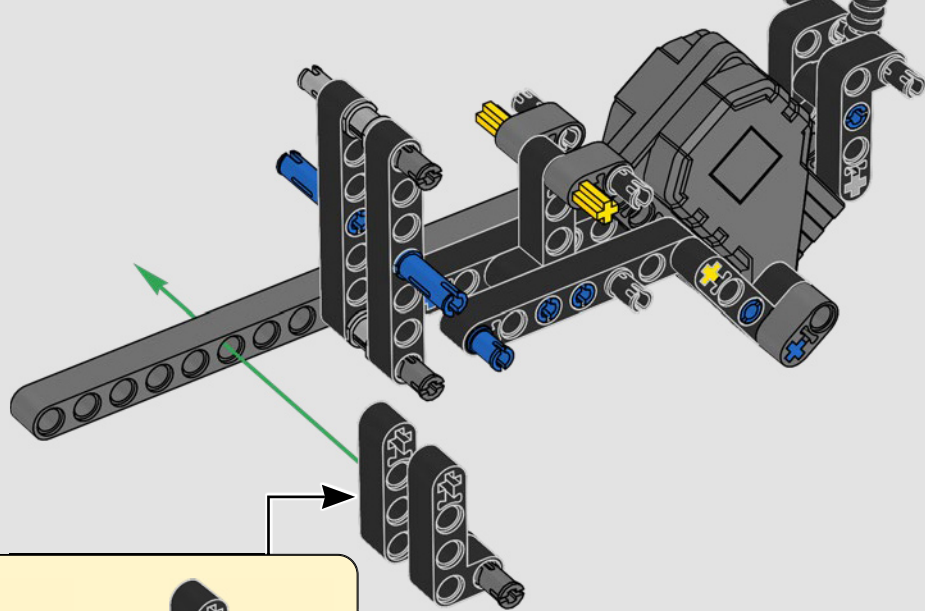
4

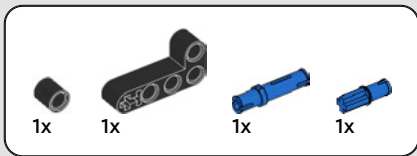




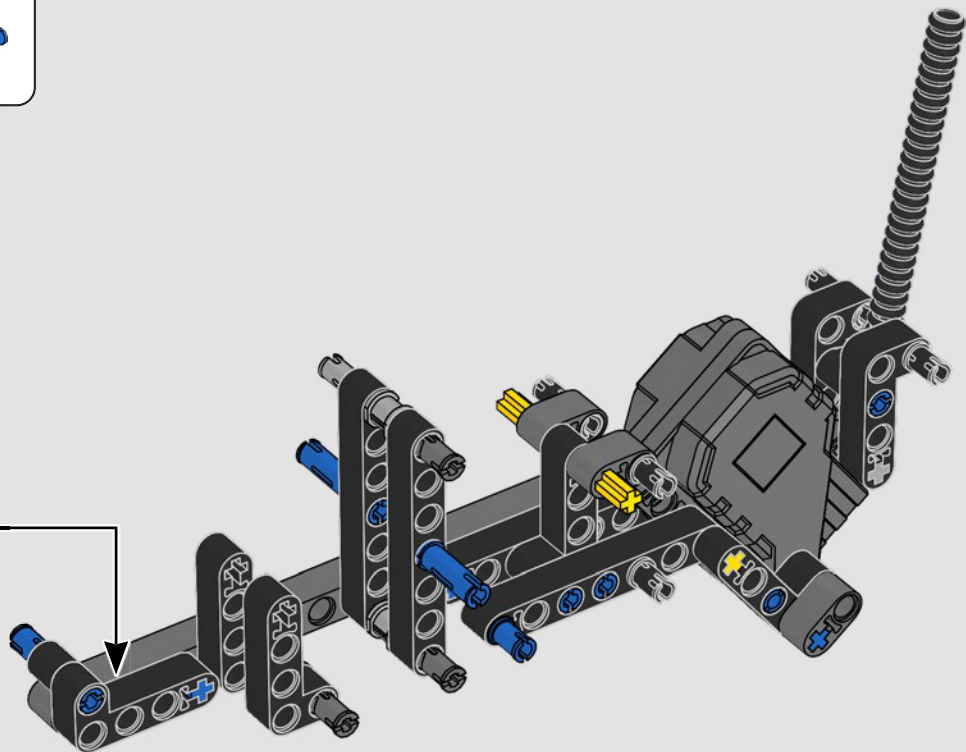
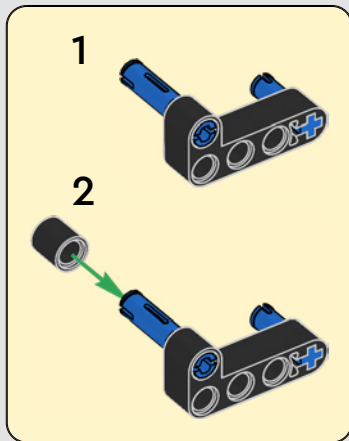


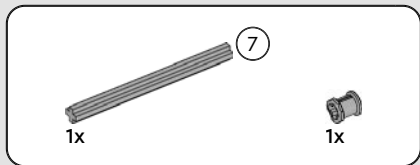
12



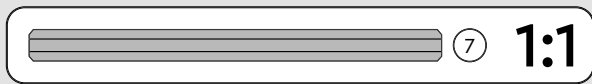
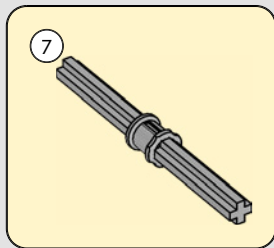
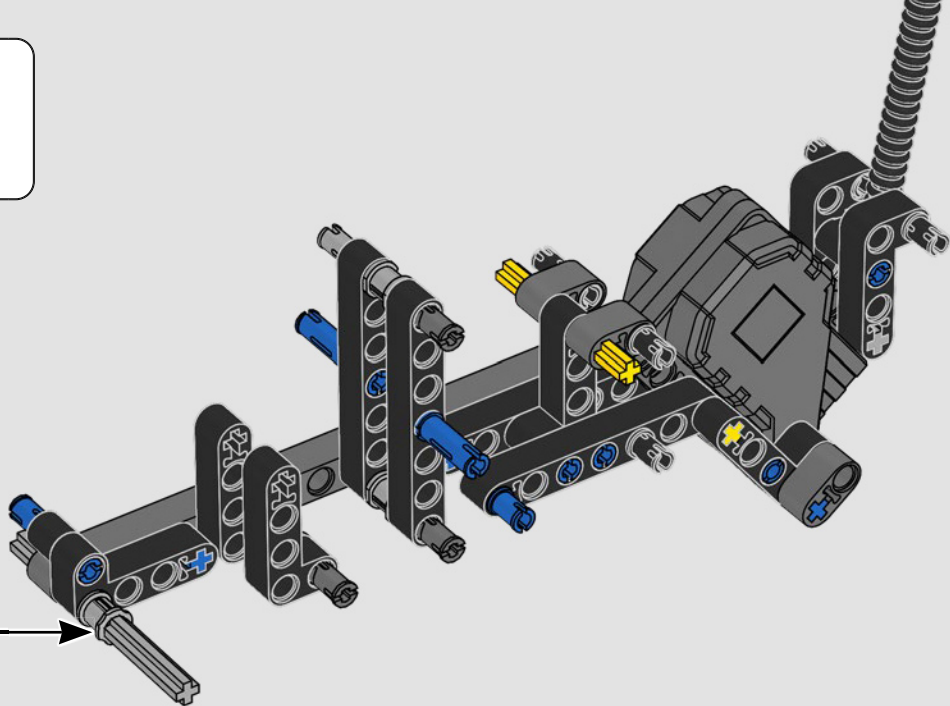


13



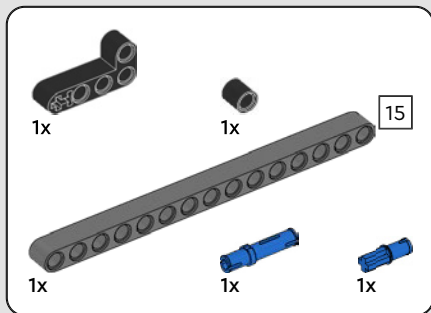


14

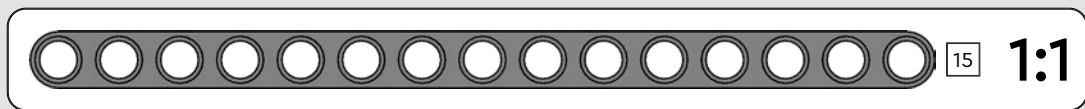
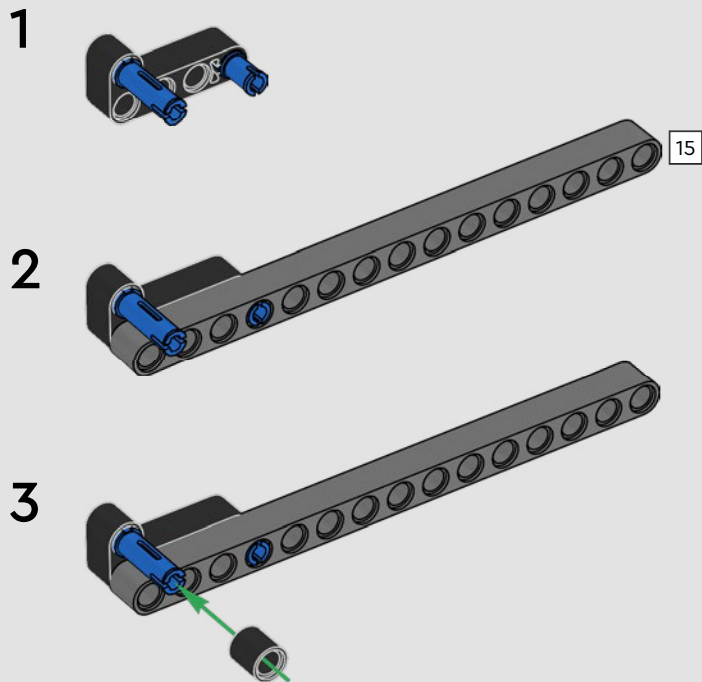


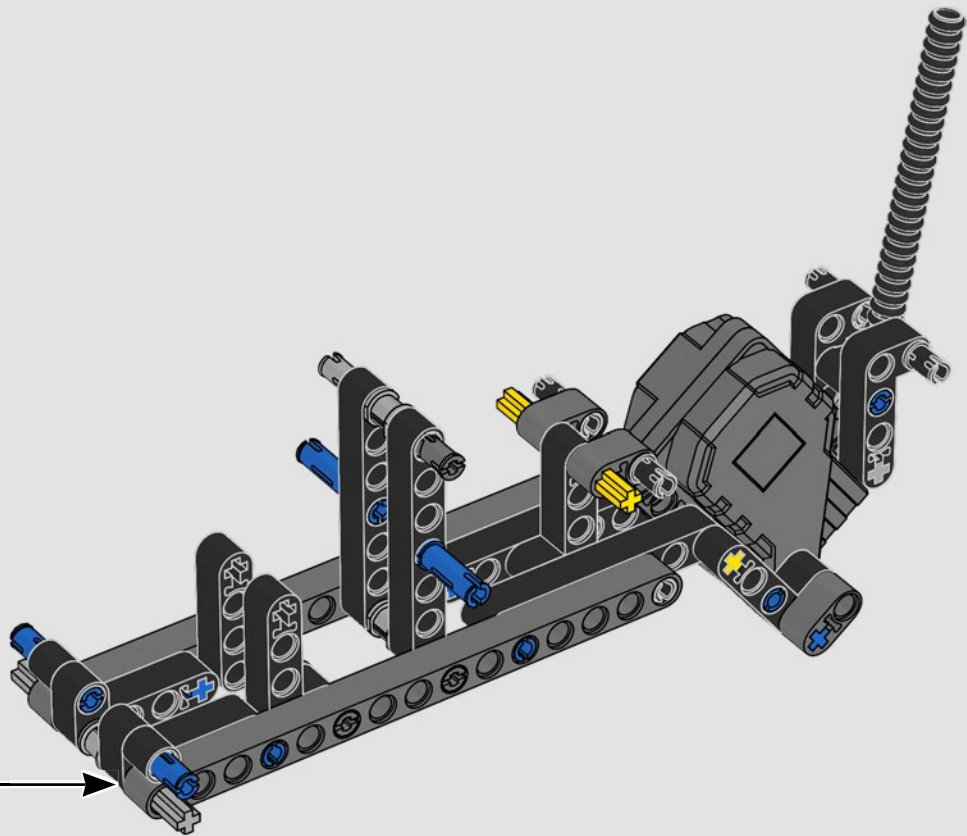
16

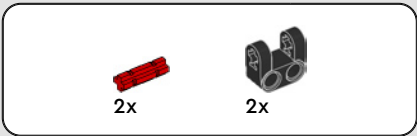




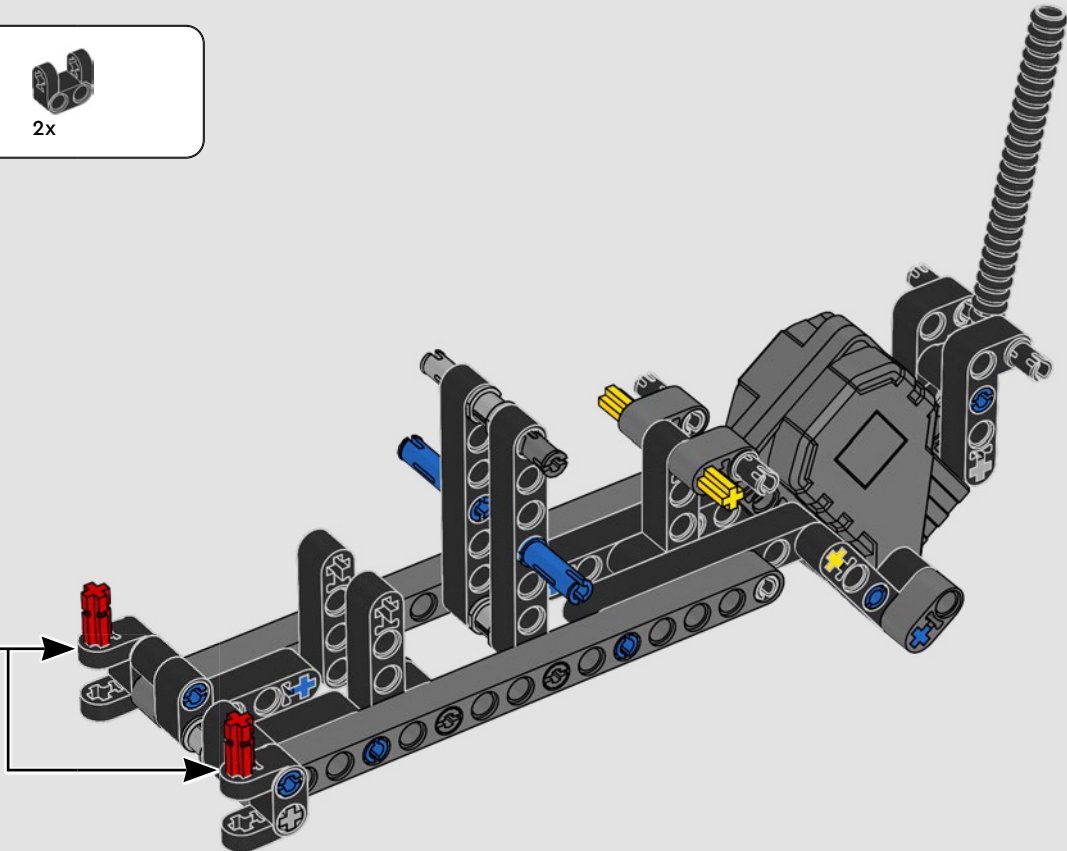
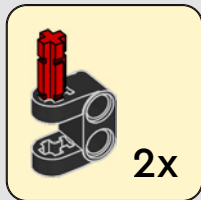
15

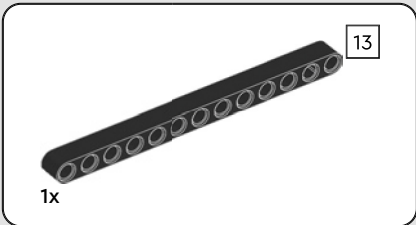




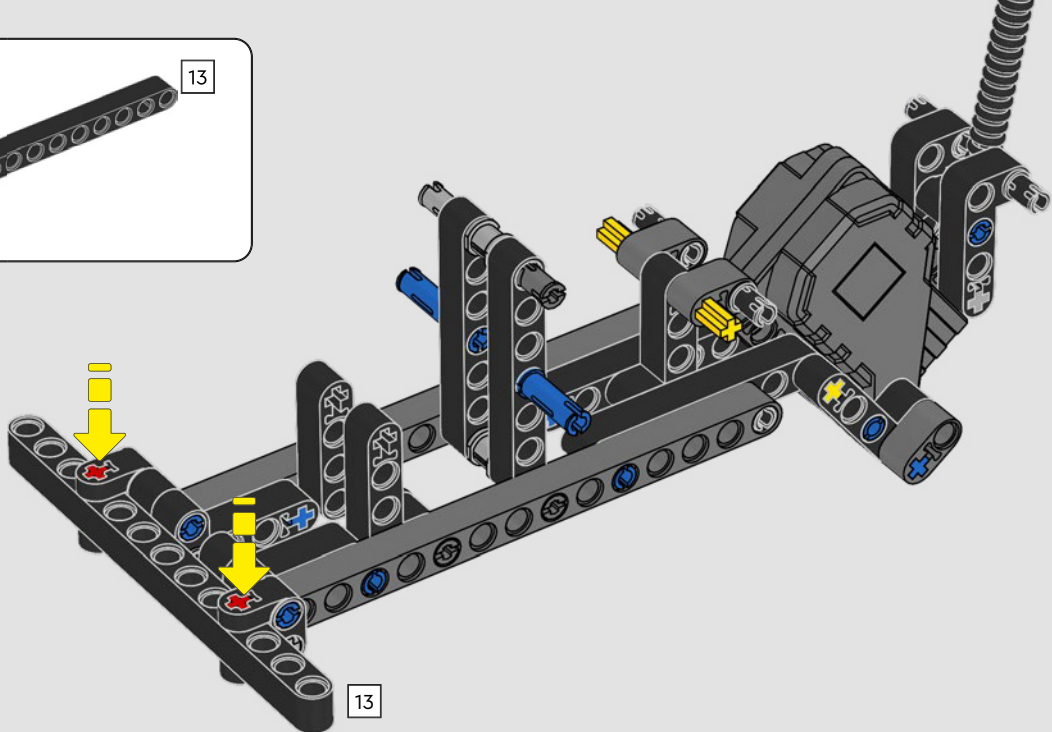


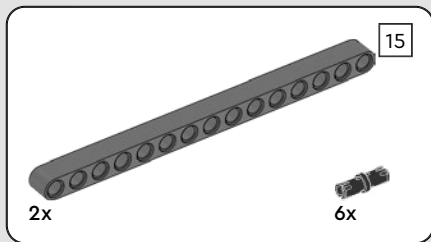
16



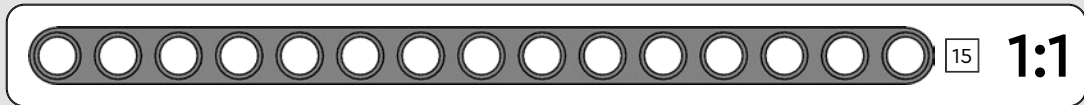
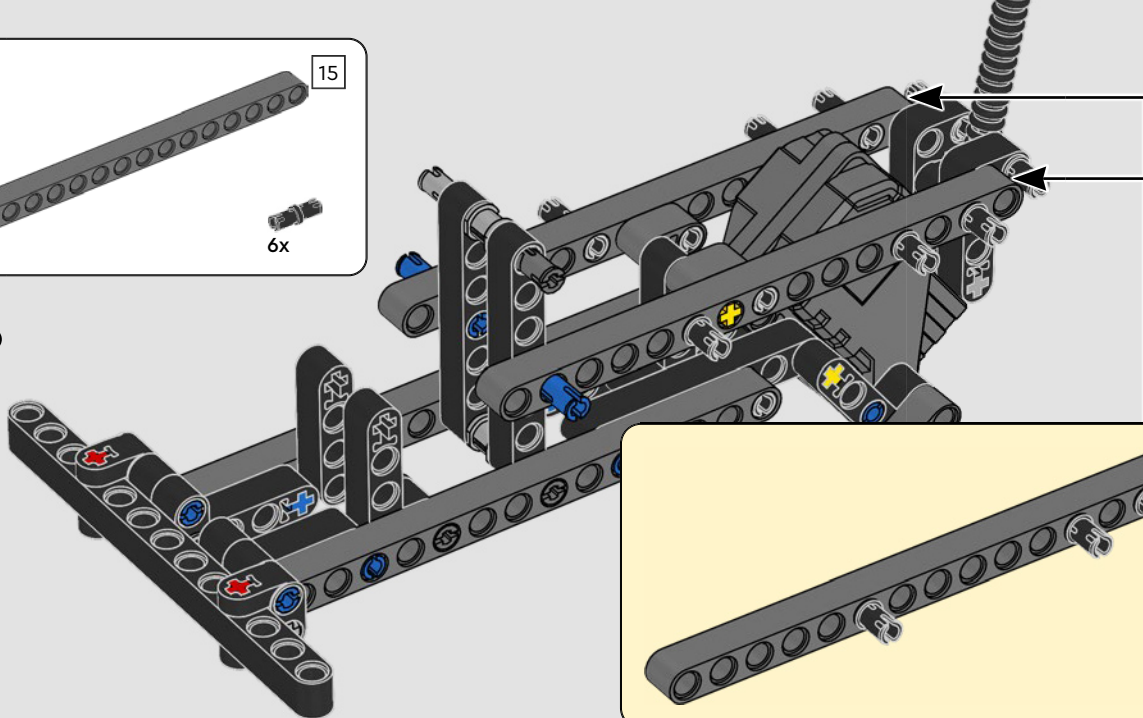


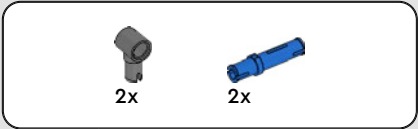
17



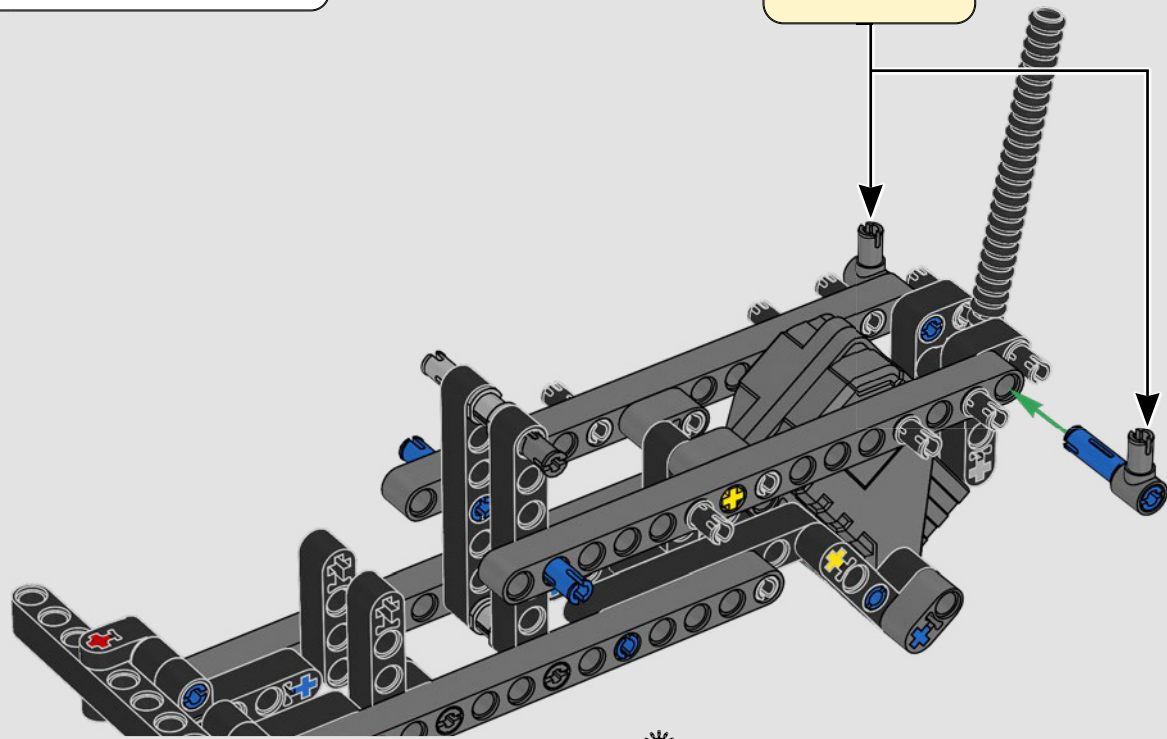
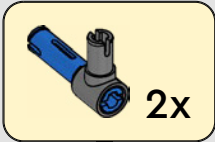


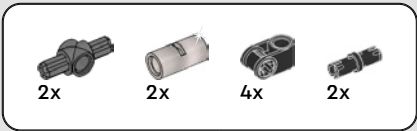
18



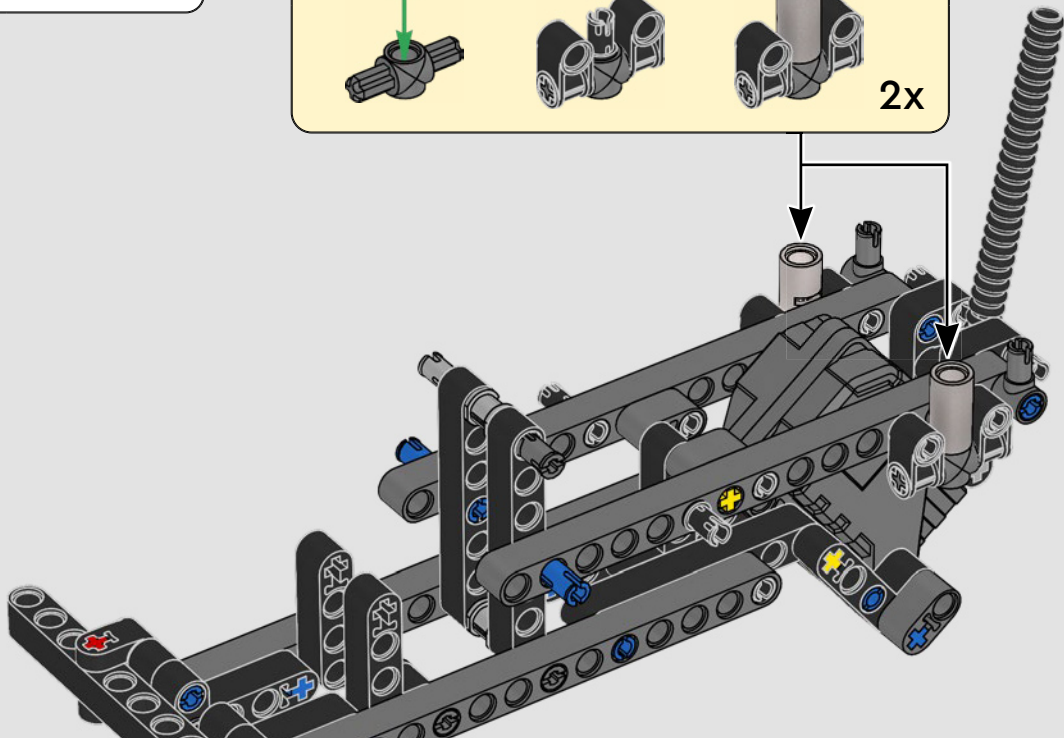
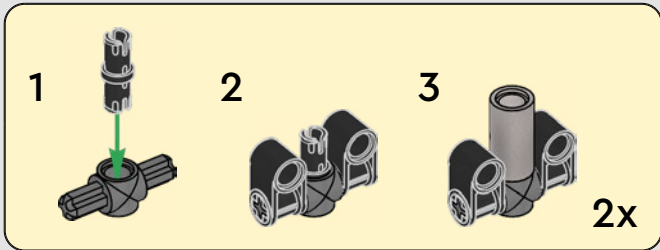


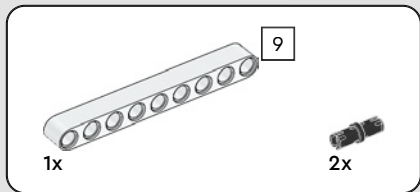
19



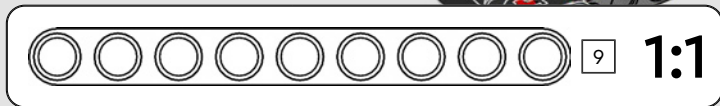
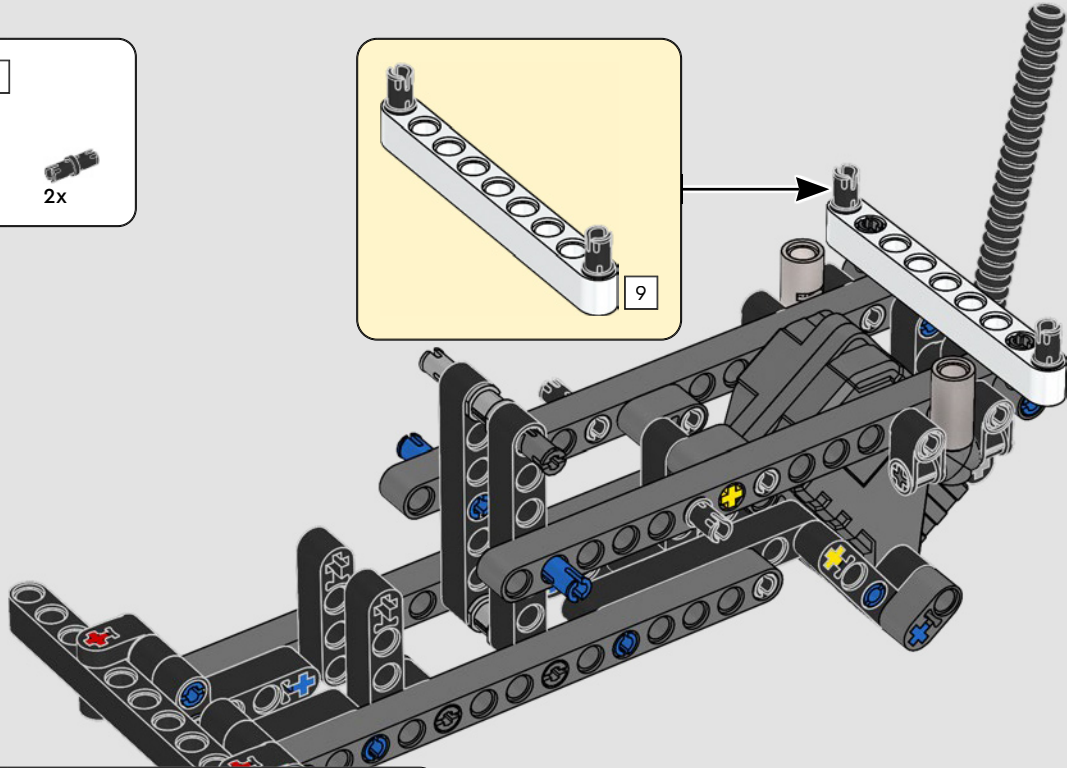
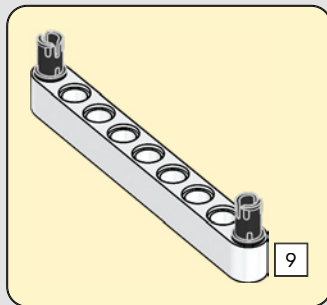


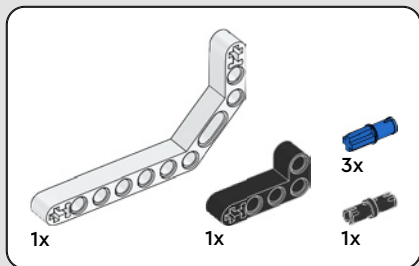
20





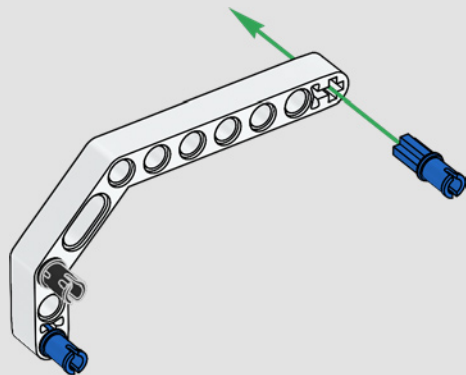
21



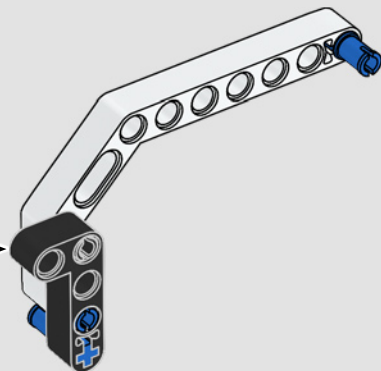
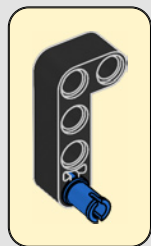


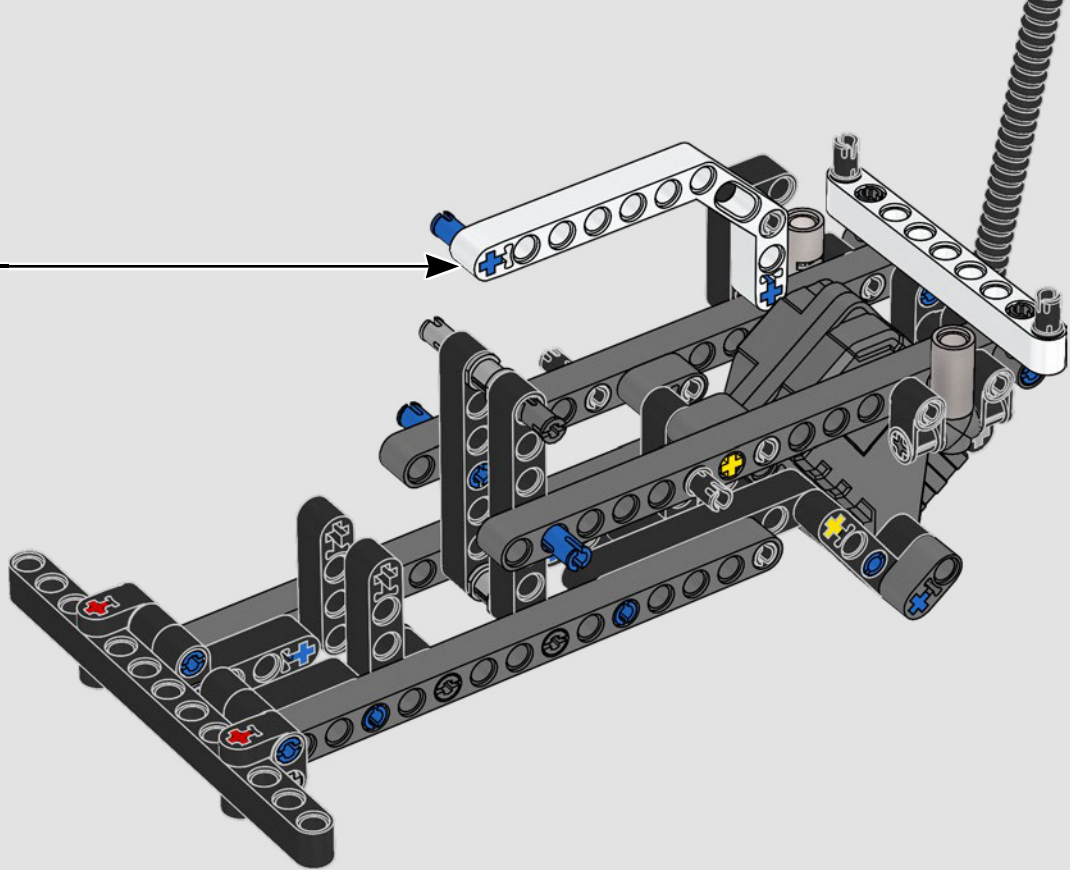
22

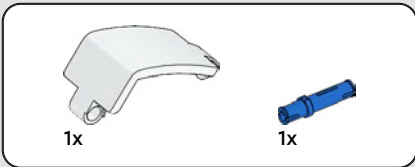
1



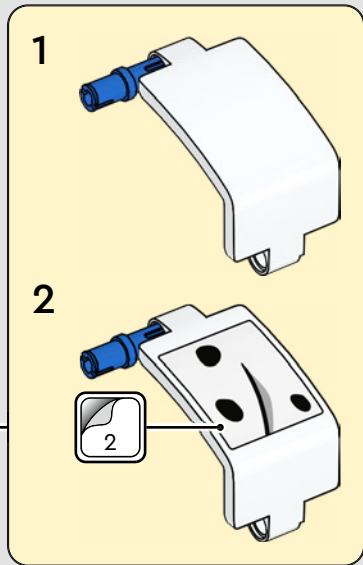
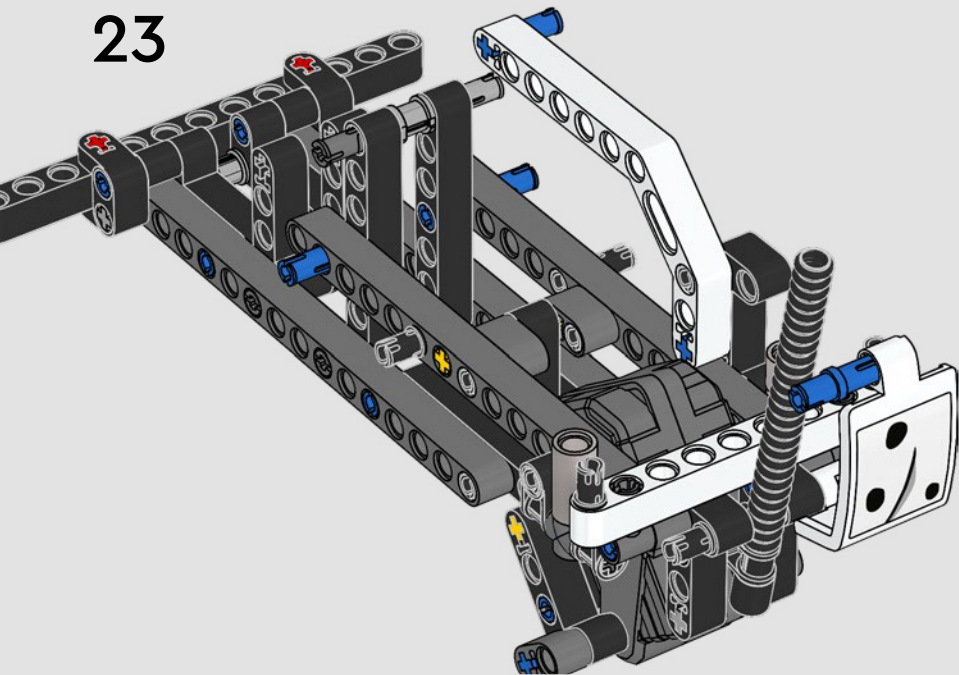
2



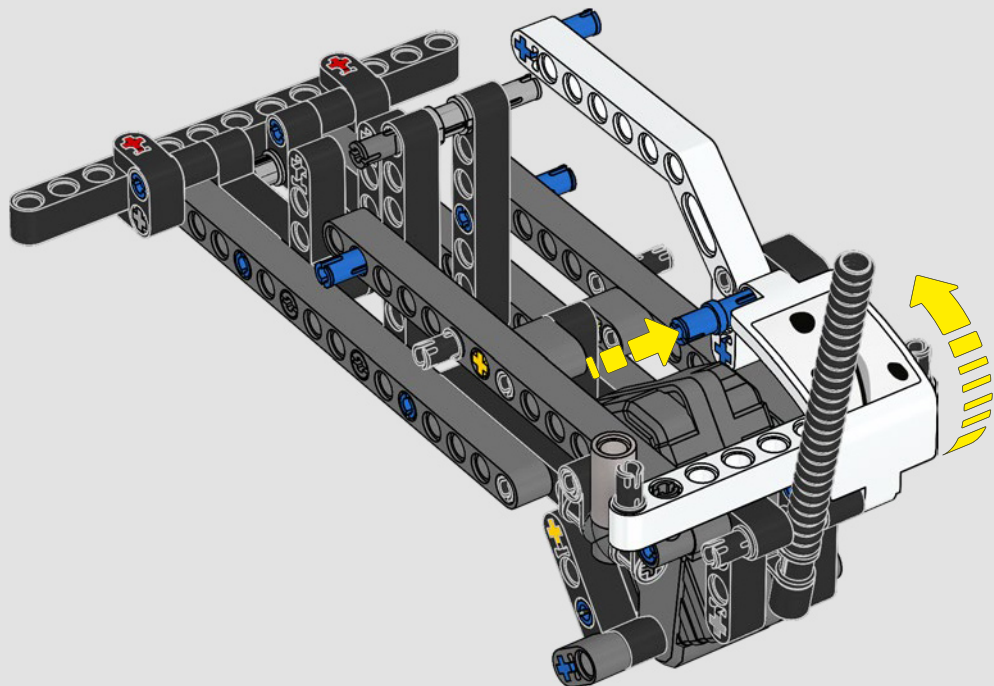


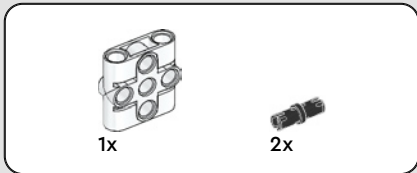


23

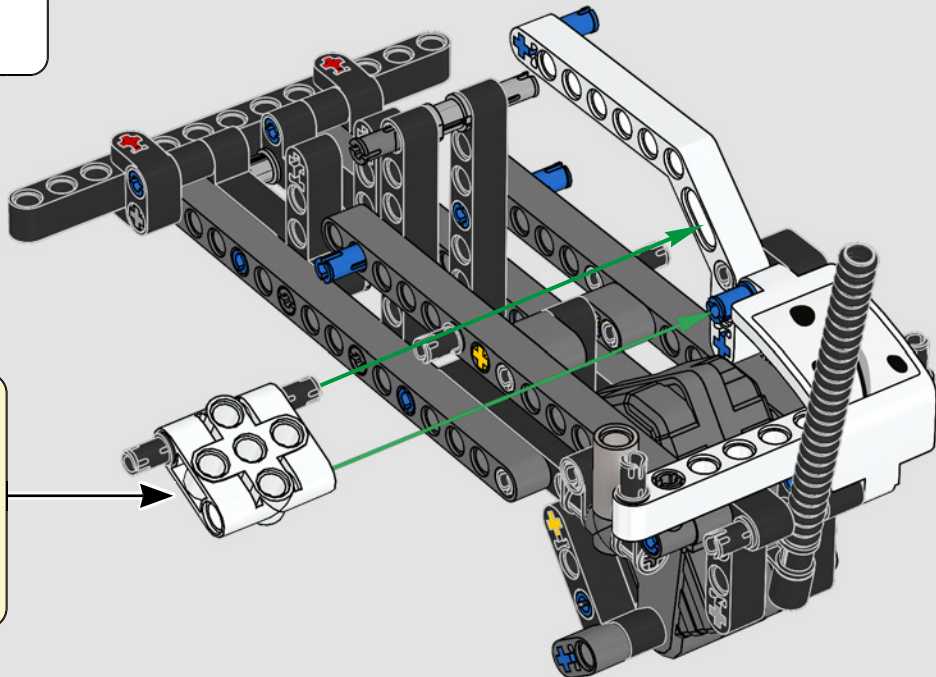
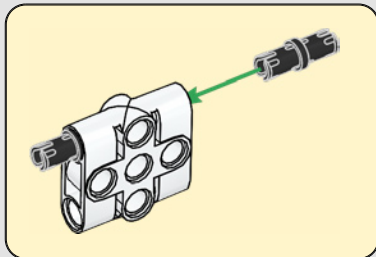


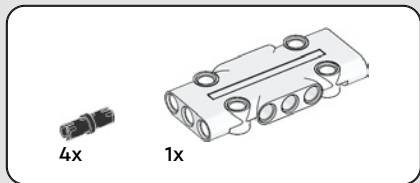
24



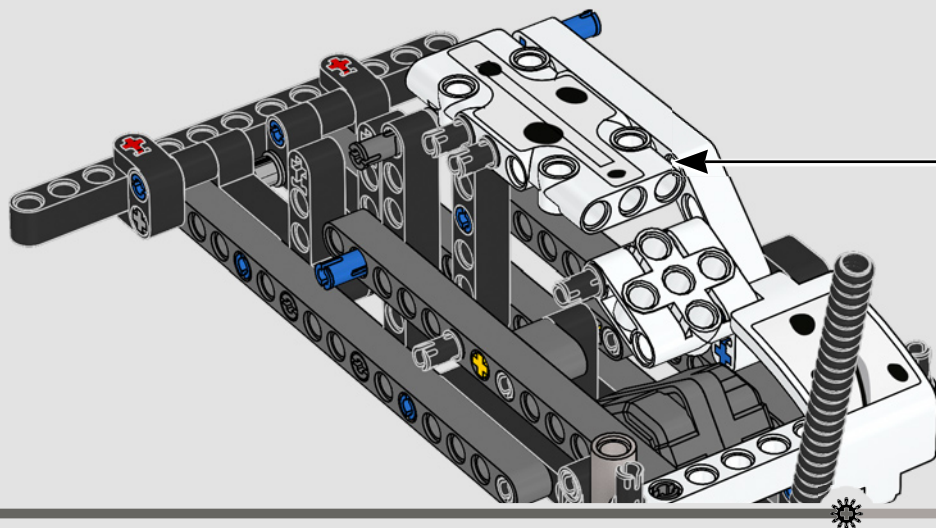
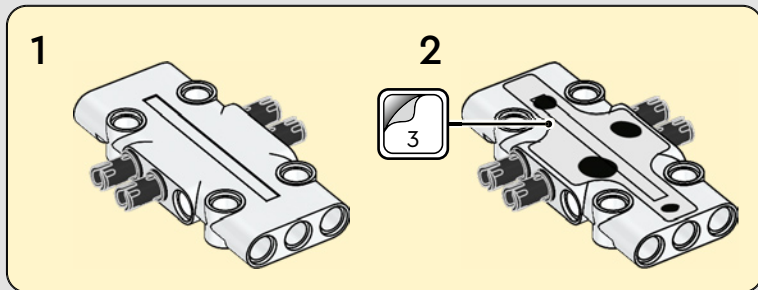


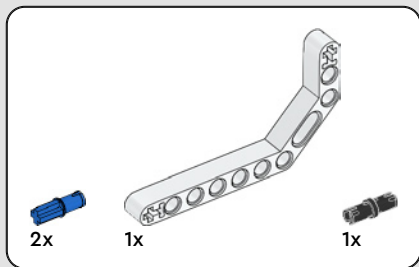
25



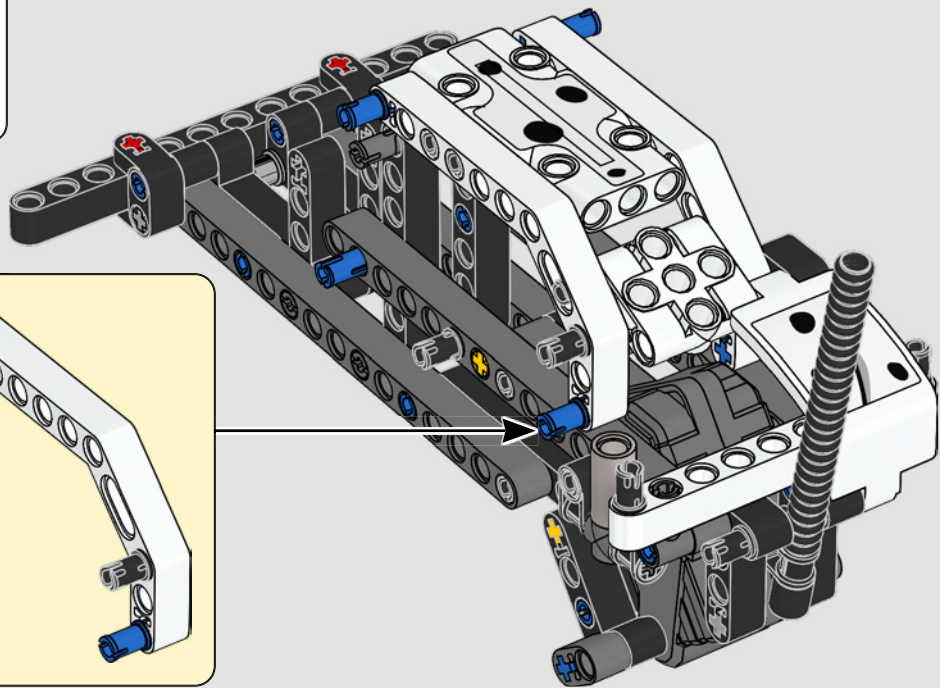
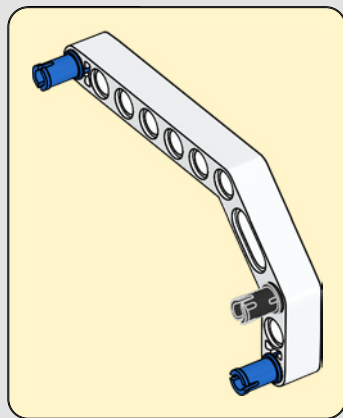


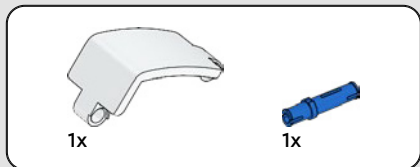
26



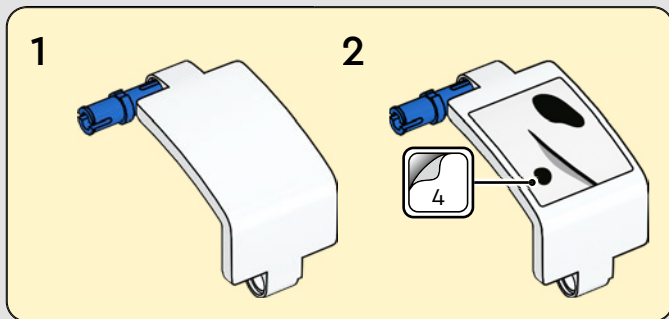
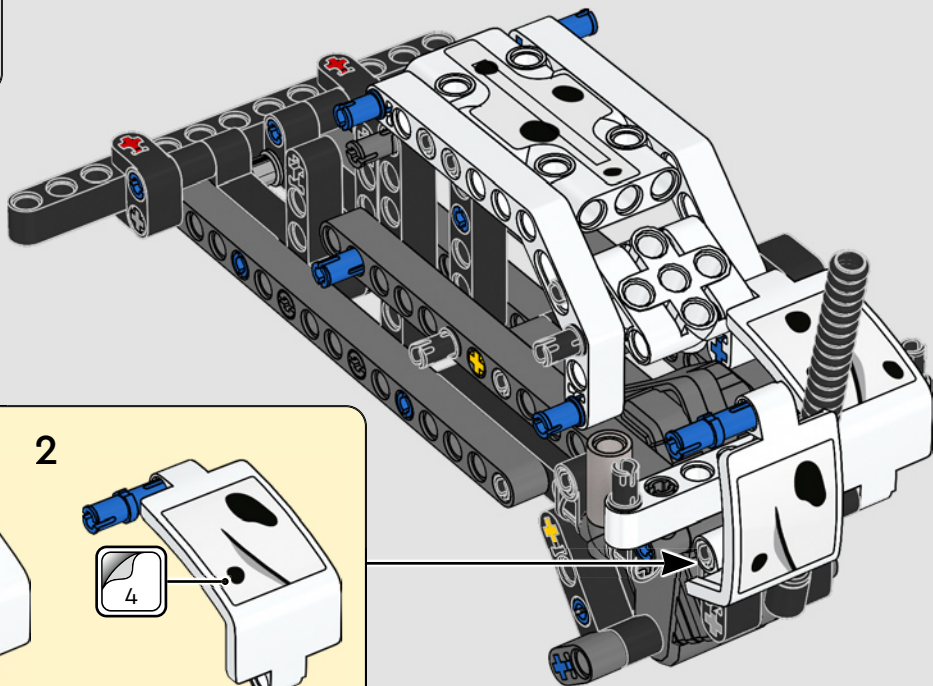


27

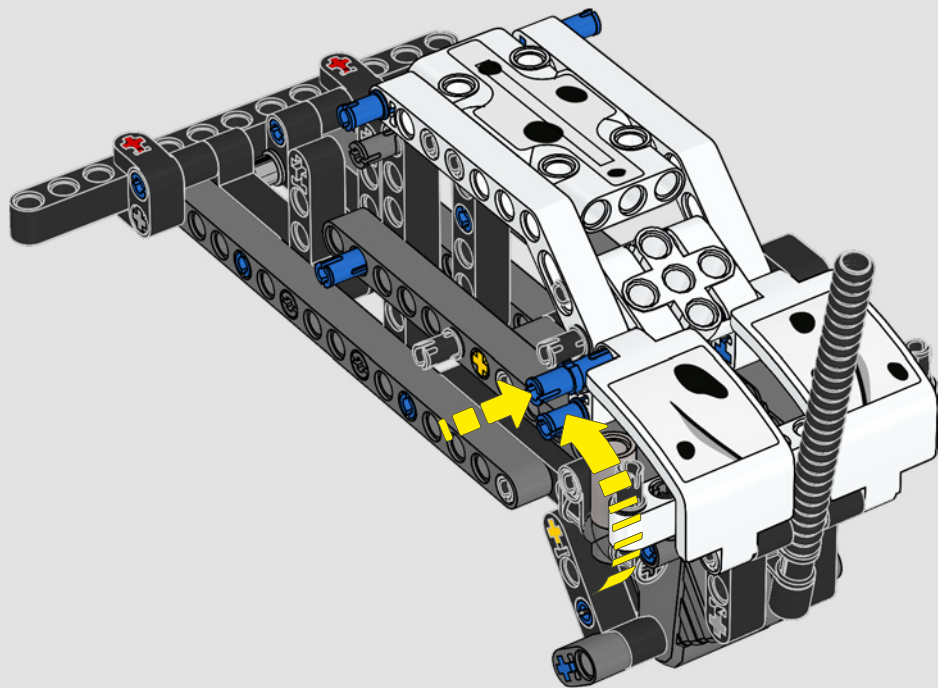


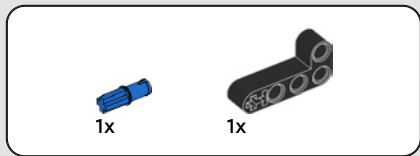


28

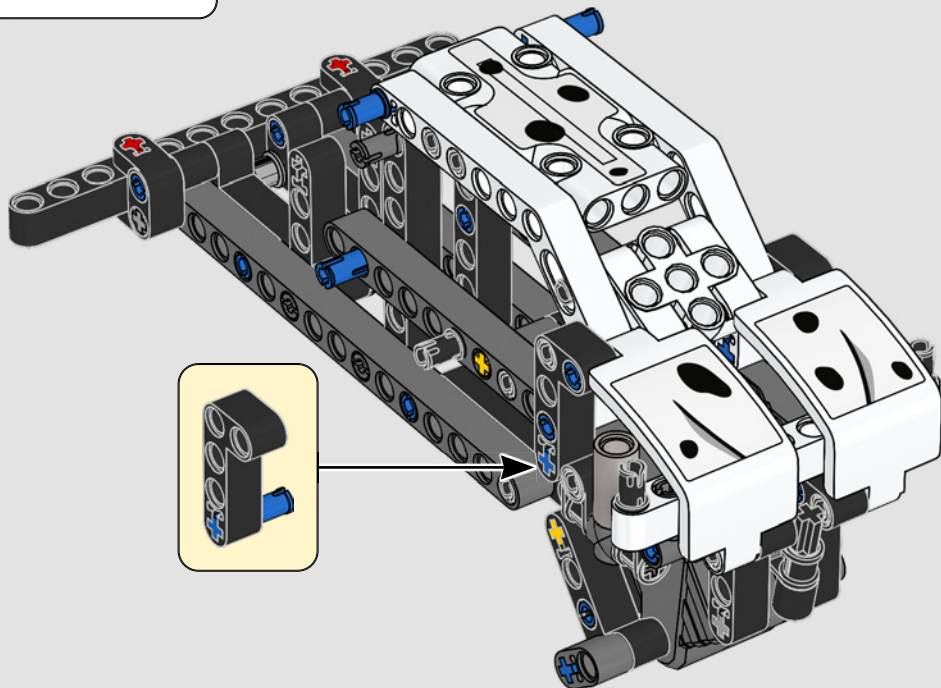


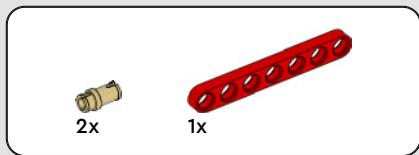
29



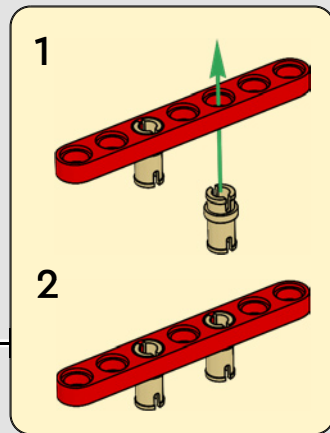
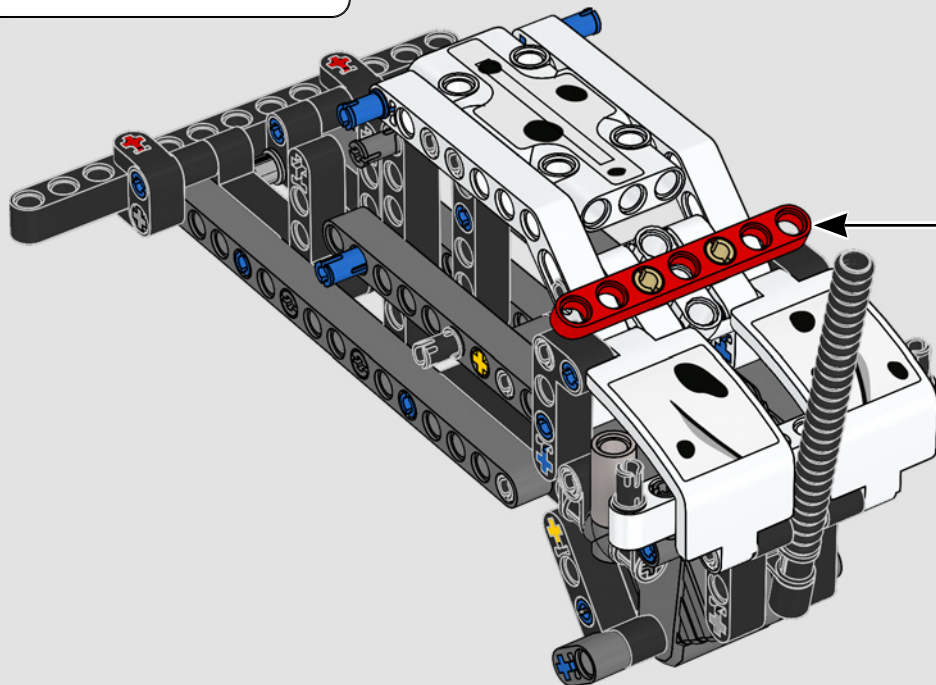


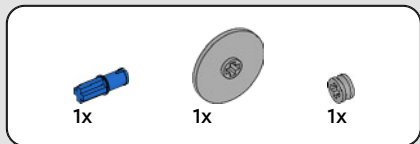
30



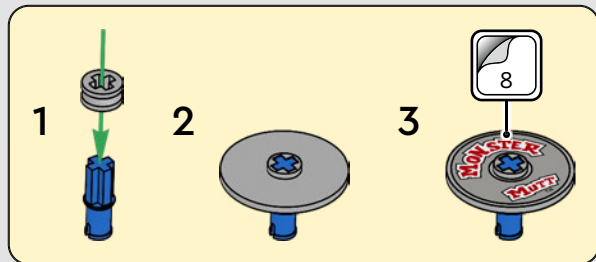
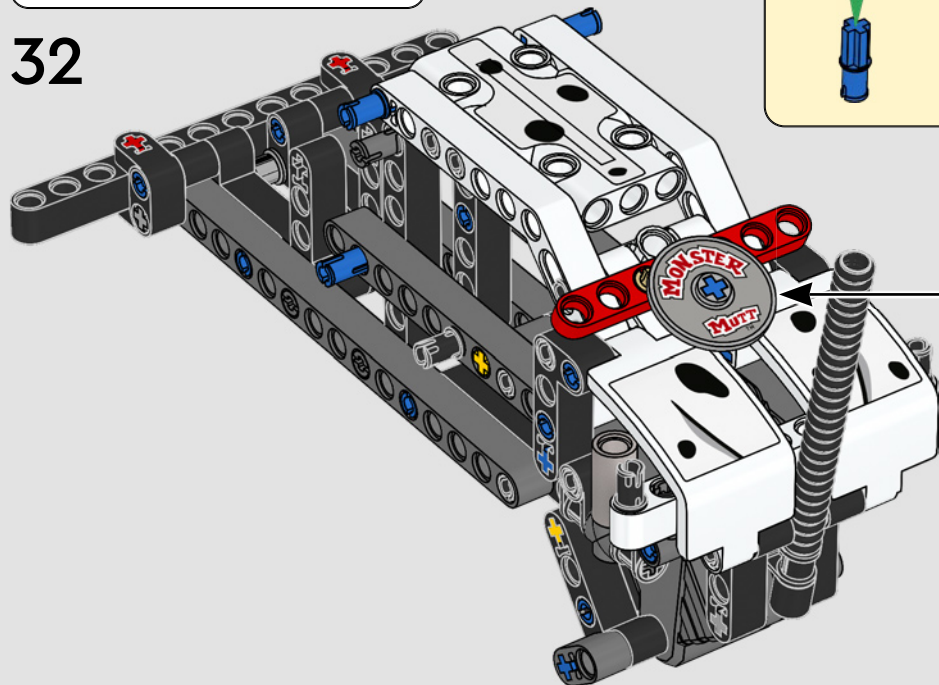


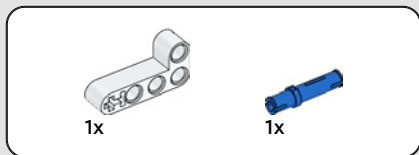
31



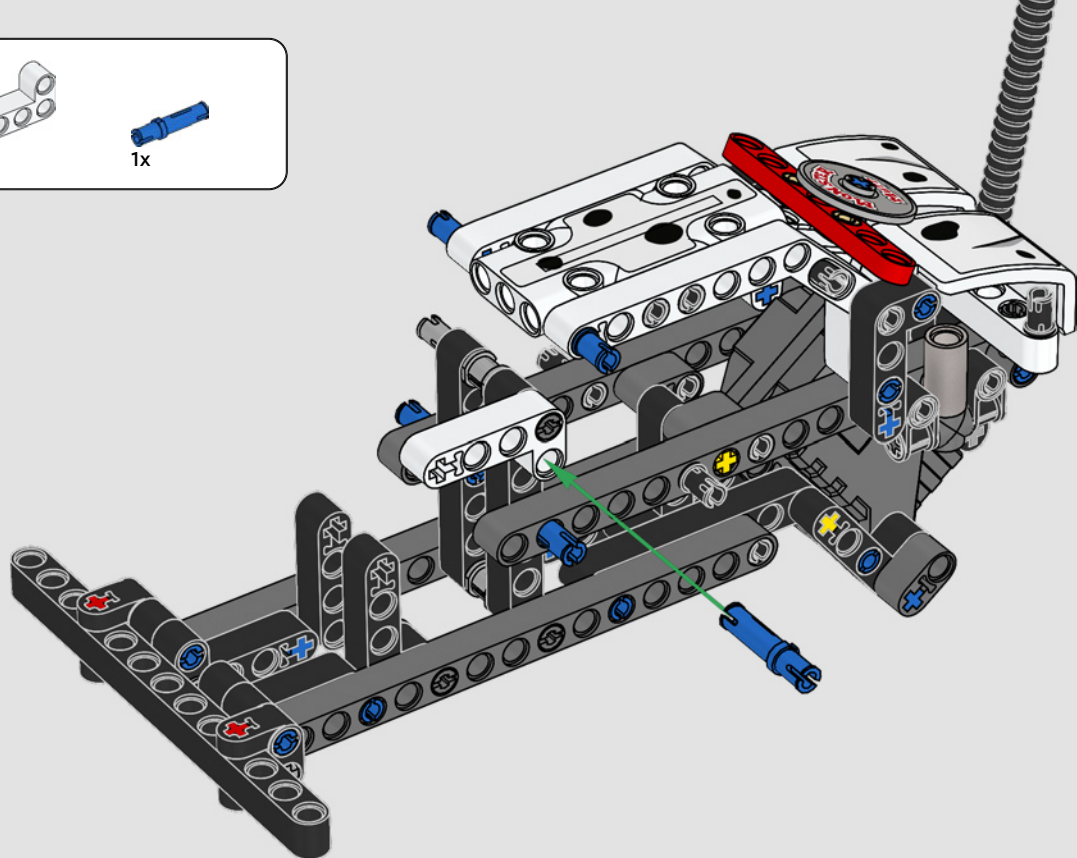


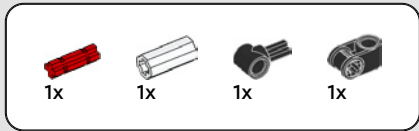
32



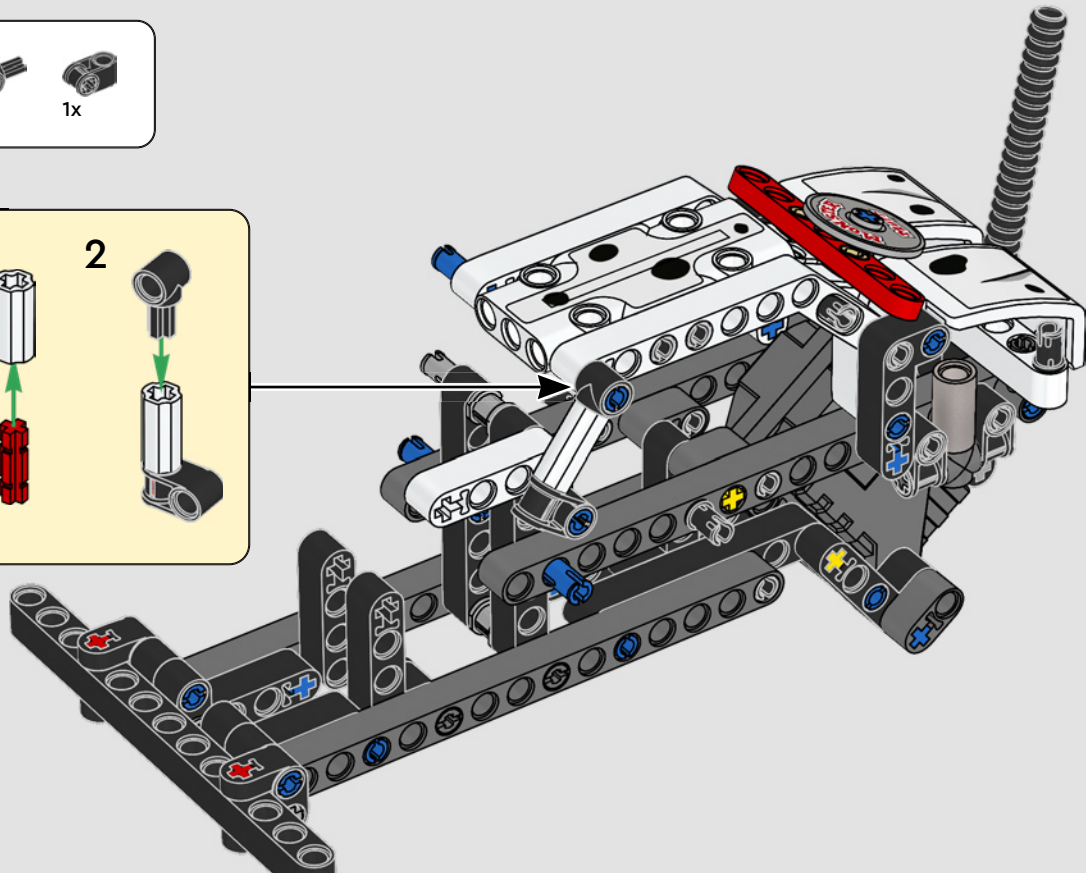
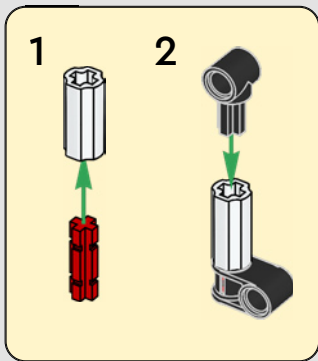


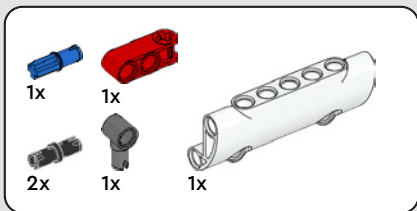
33





34



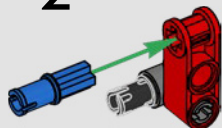


35

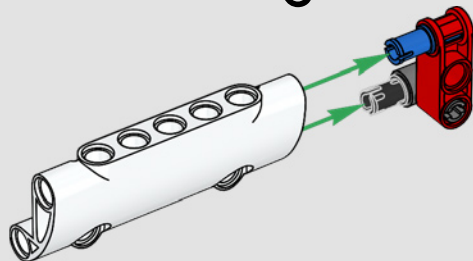
1



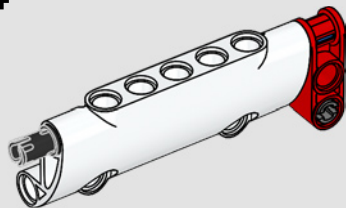
2



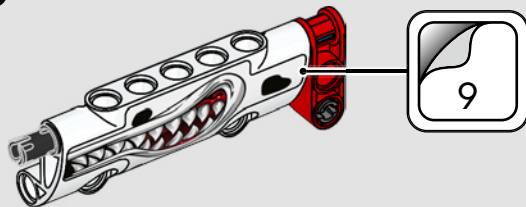
3

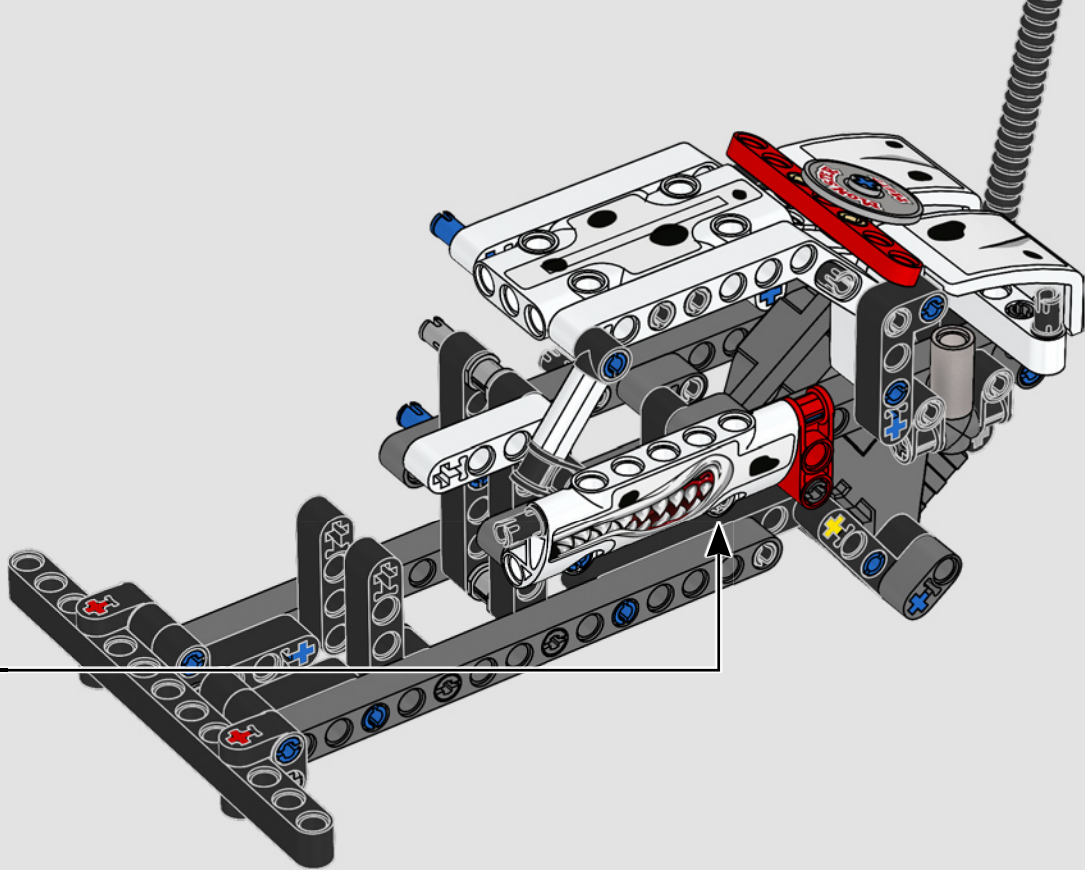


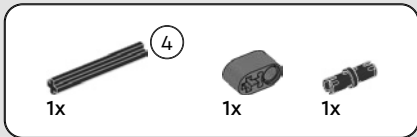
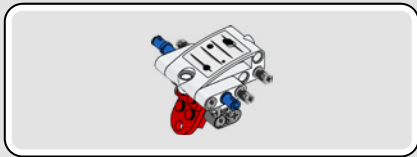
4



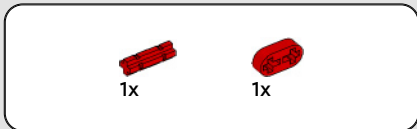
5



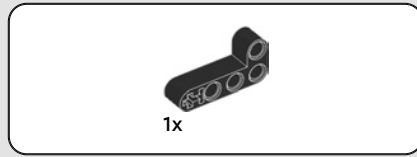
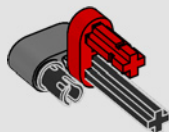




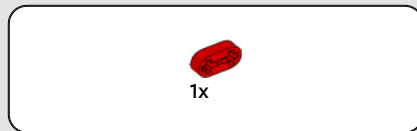
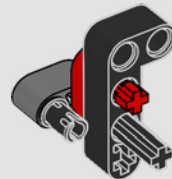
36



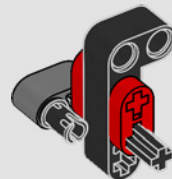
37

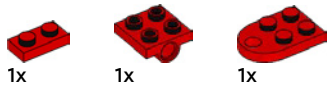


38

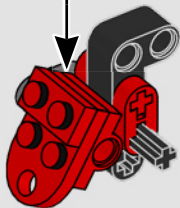
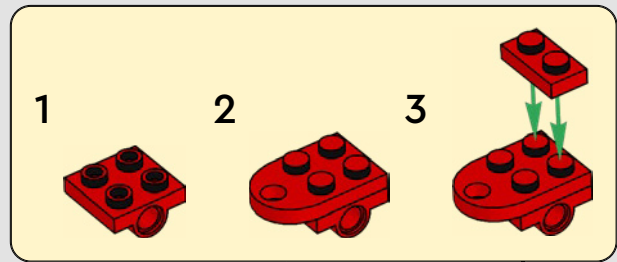


39

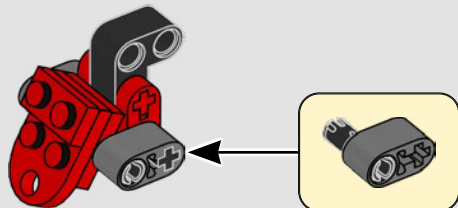


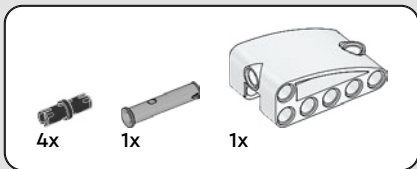


40

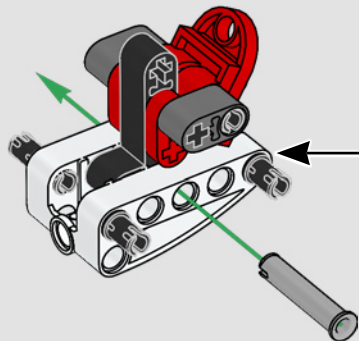
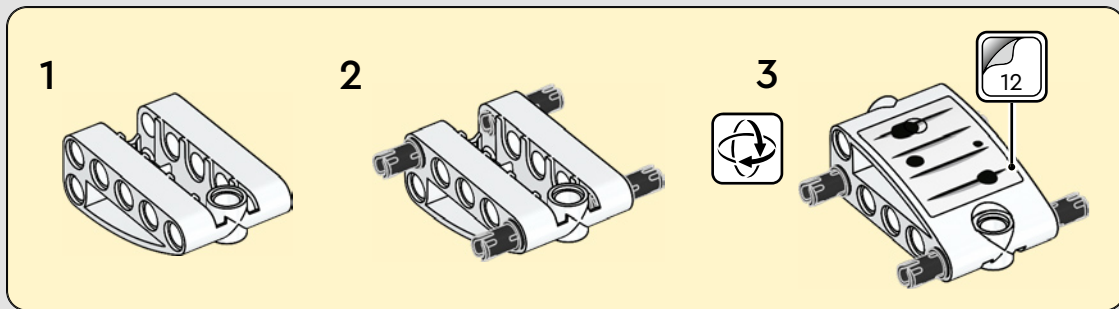


41



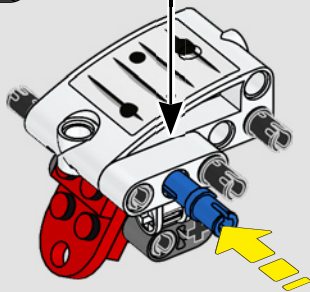
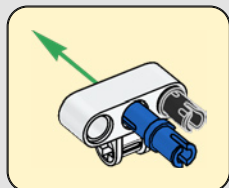


42

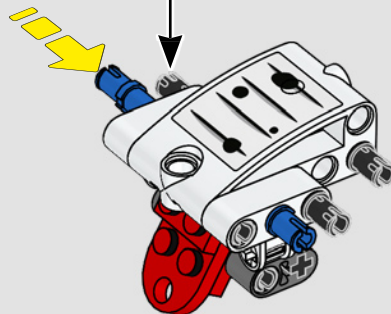


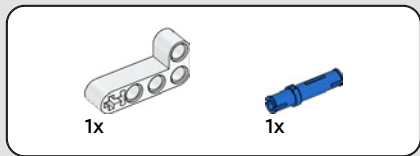


43

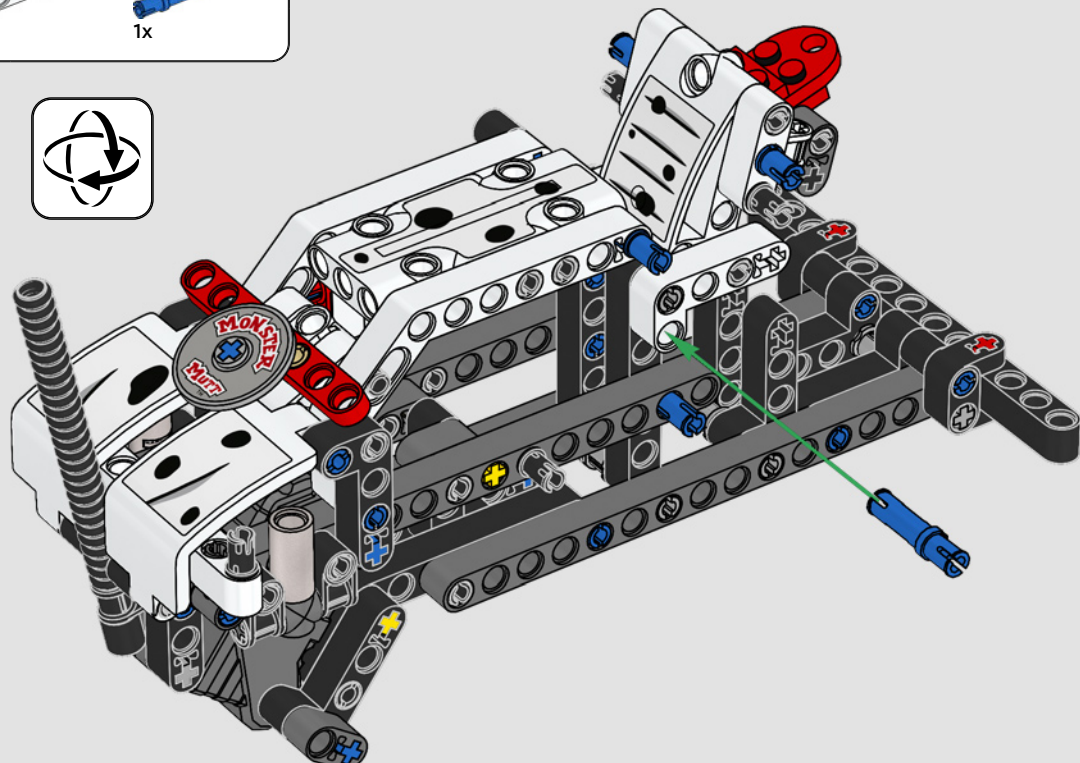
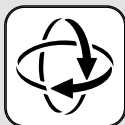


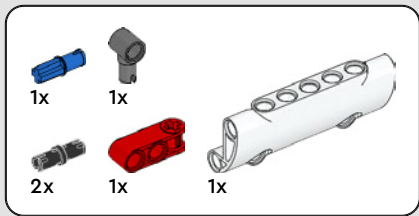
44





46



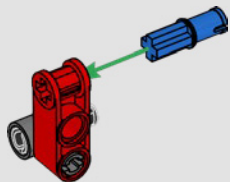


48

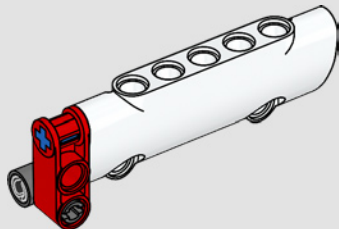
1



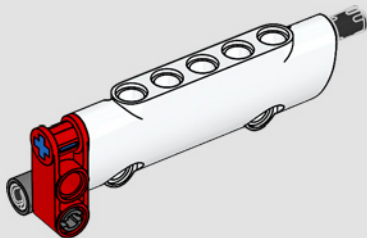
2



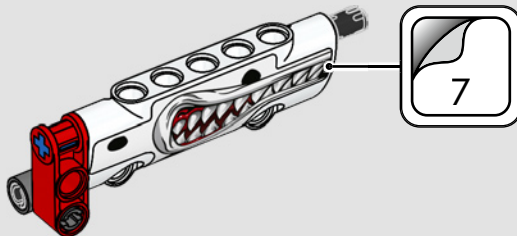
3

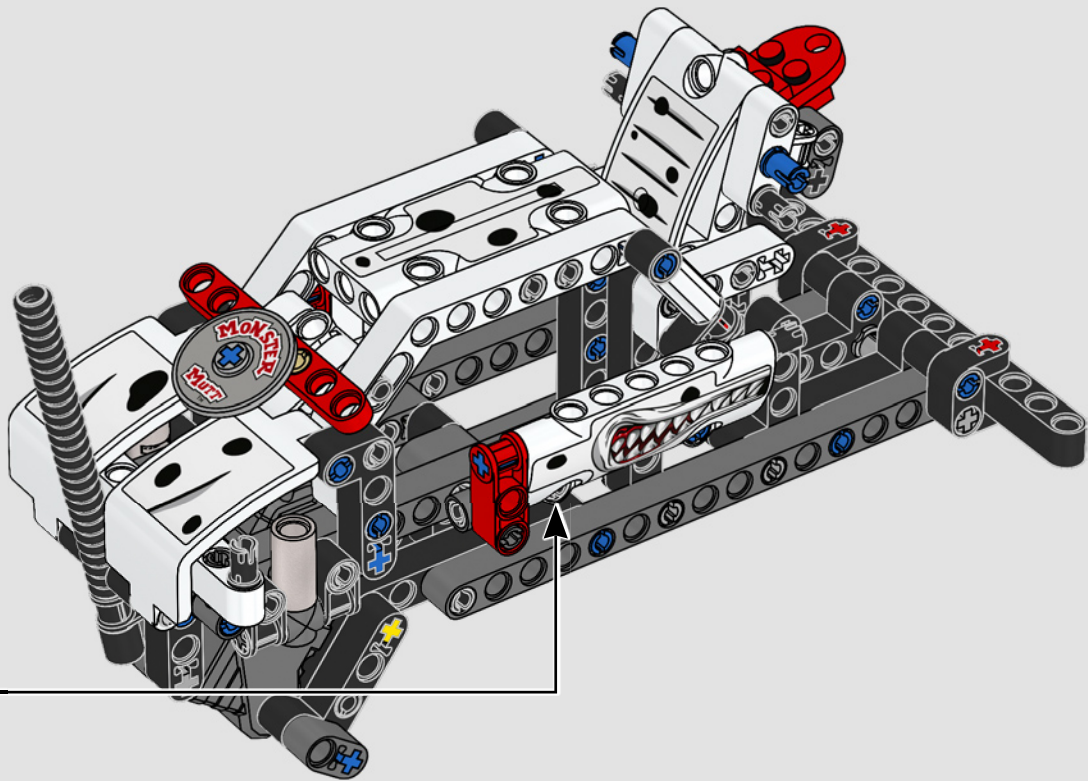


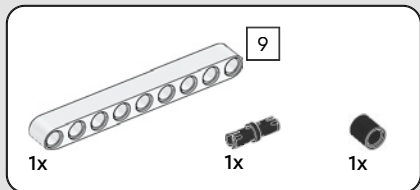
4



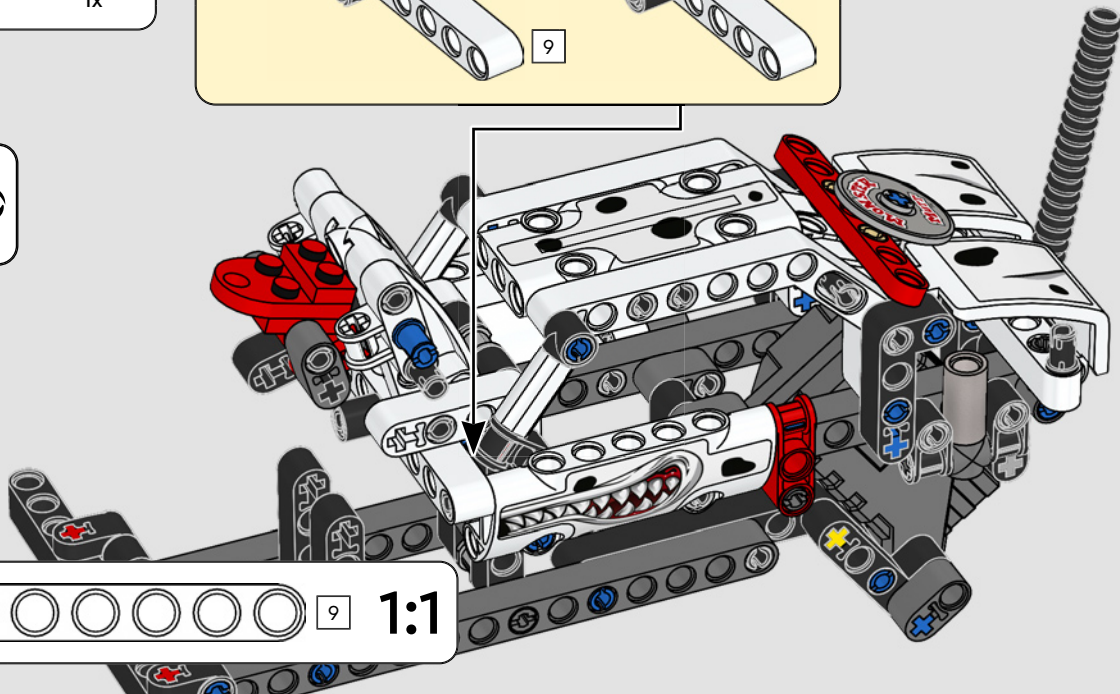
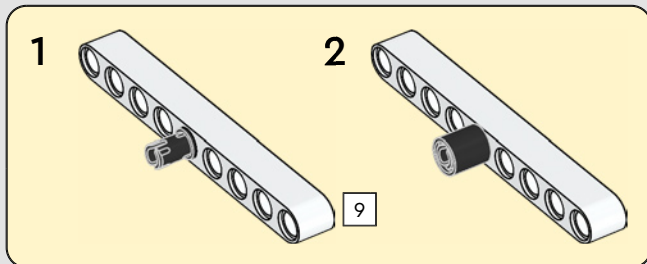
5

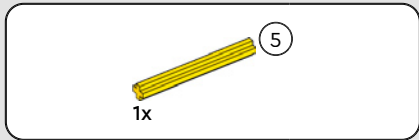




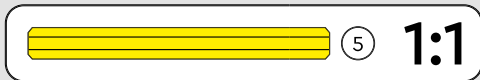
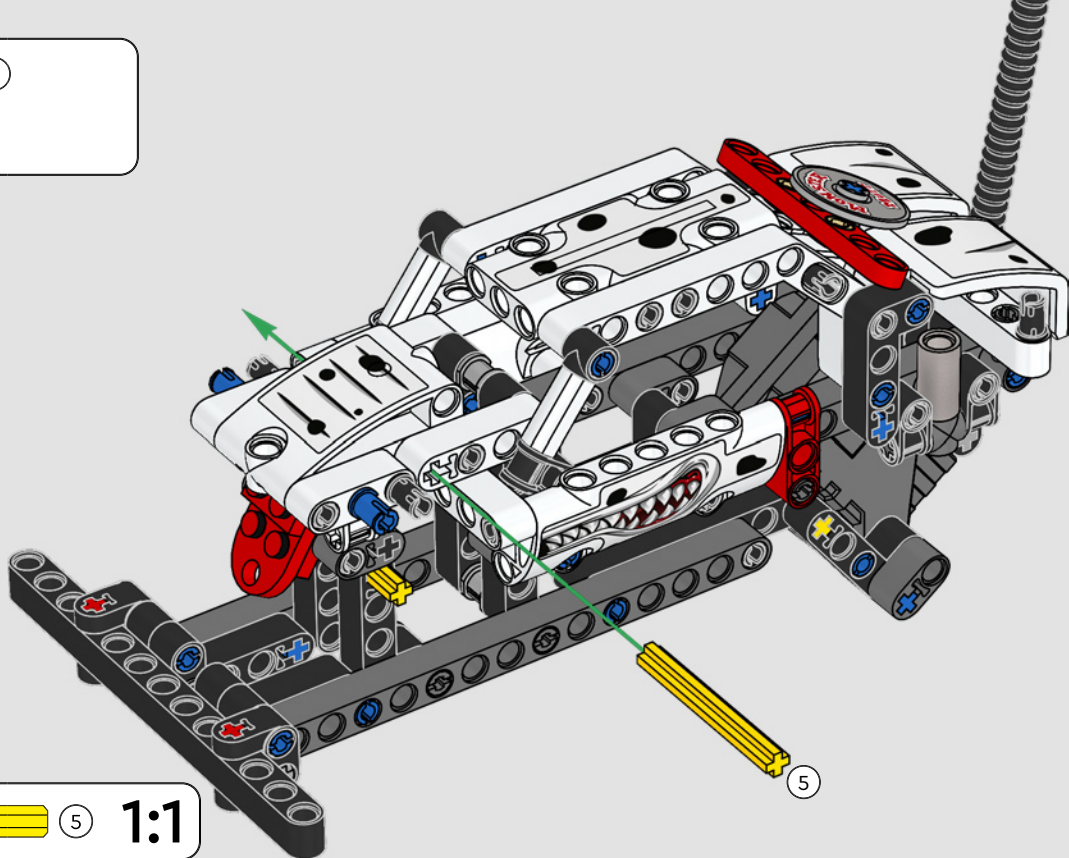


49



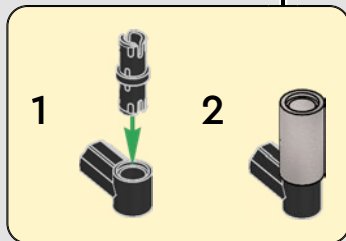
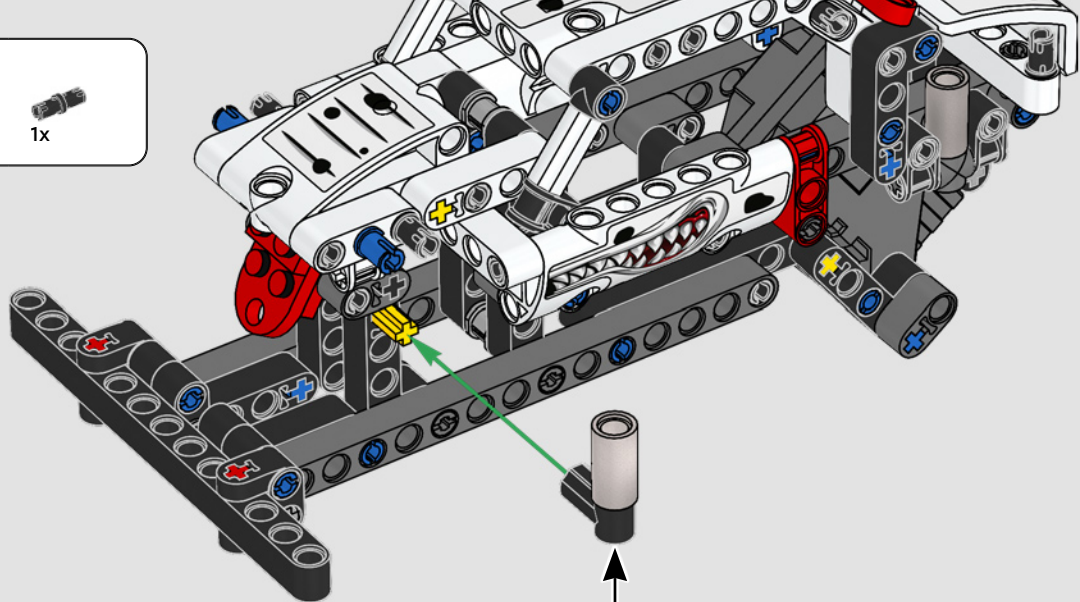


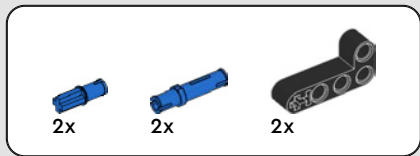
51



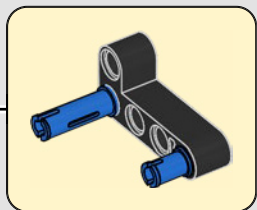
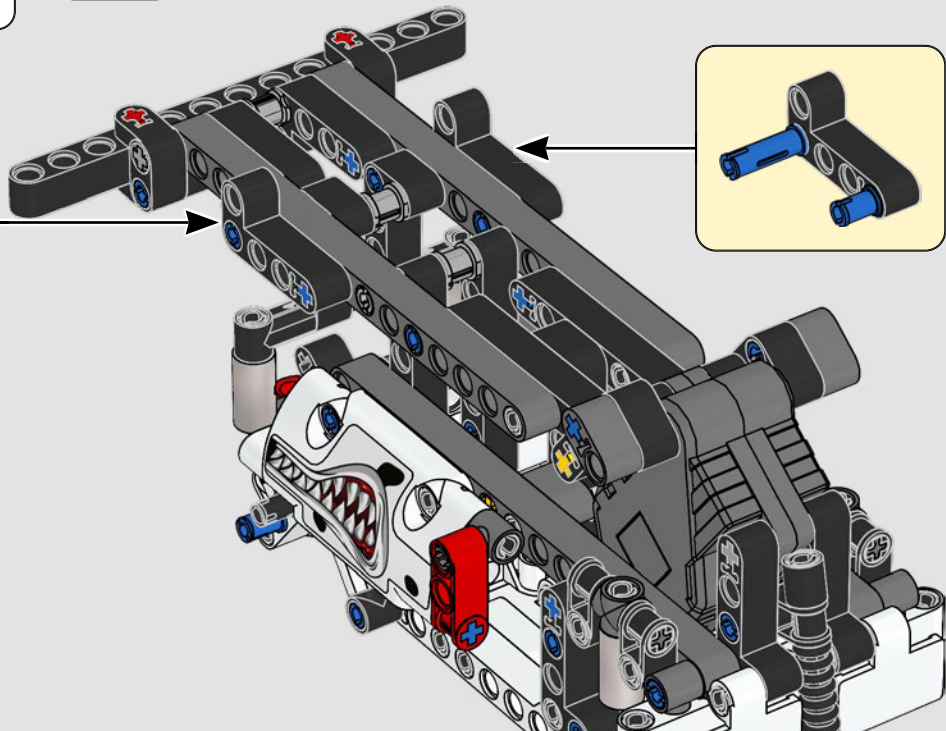
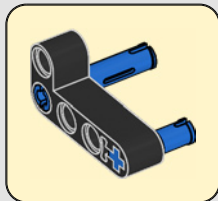


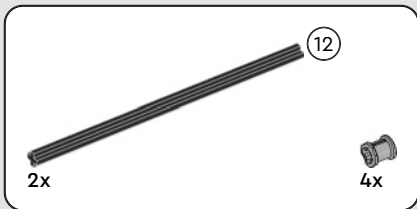
52



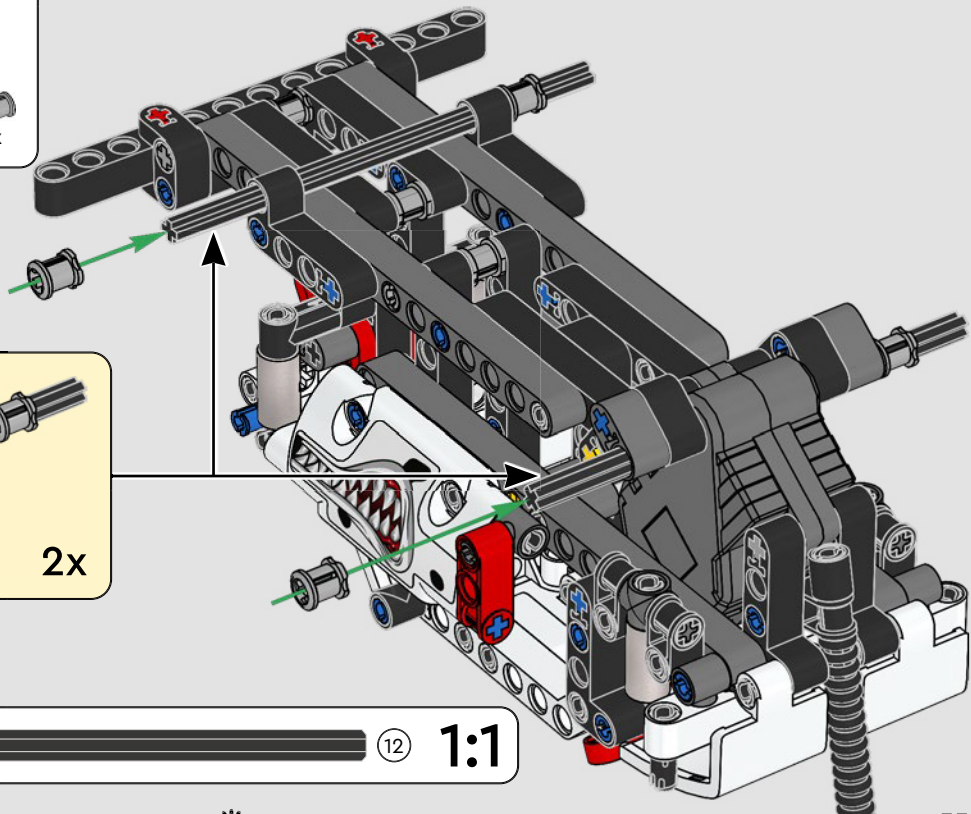
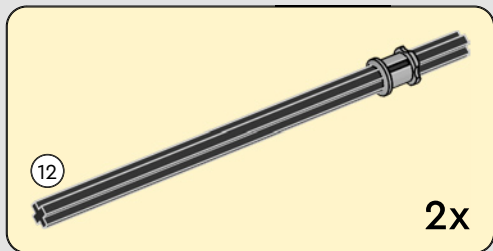


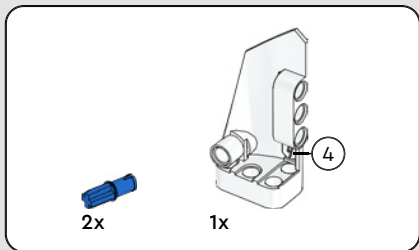
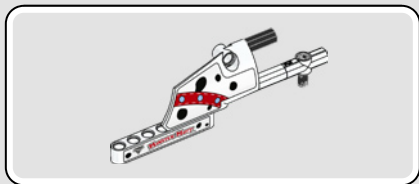
53



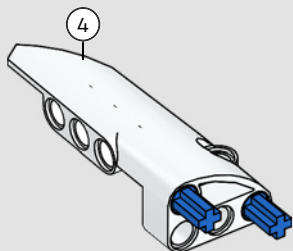


54



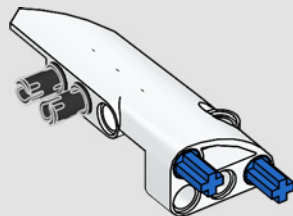


55

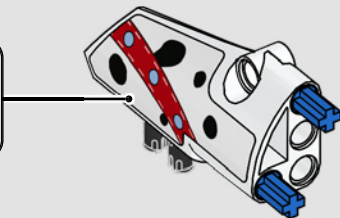


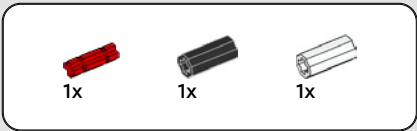
2x

56

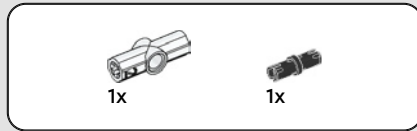
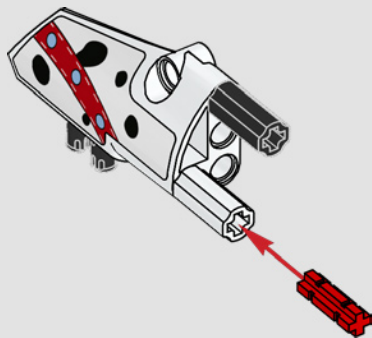


57

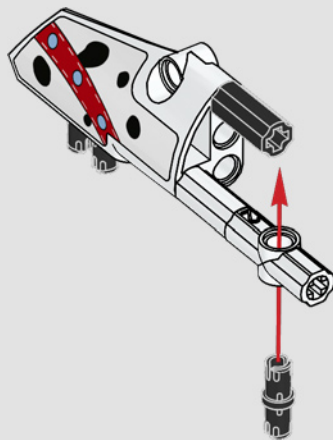


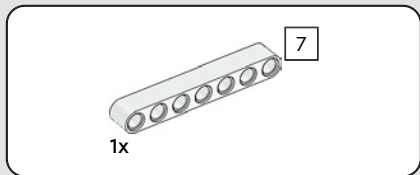


58

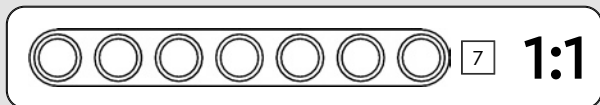
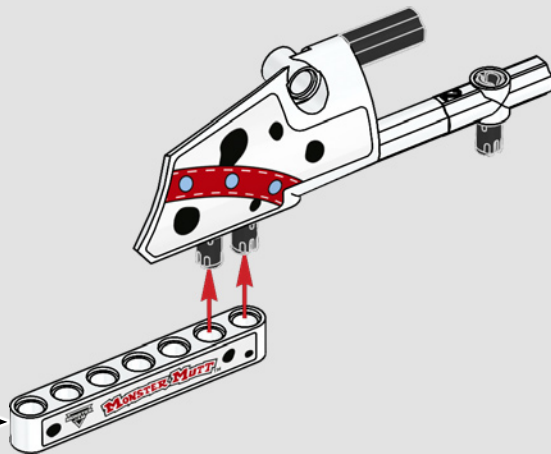
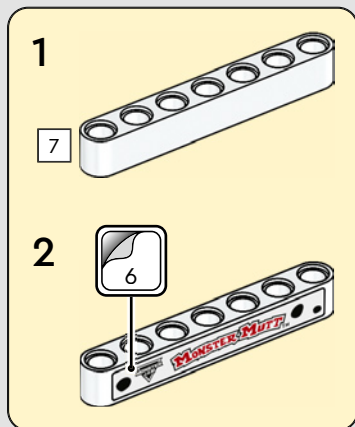


59

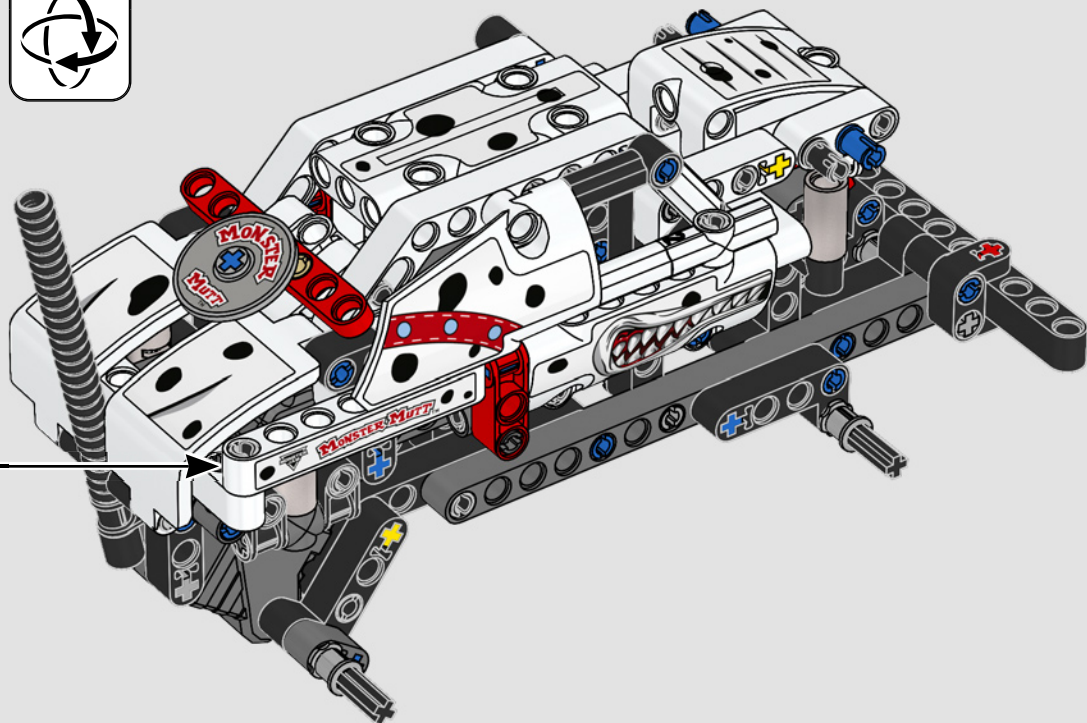


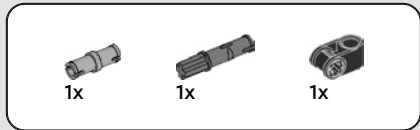


60

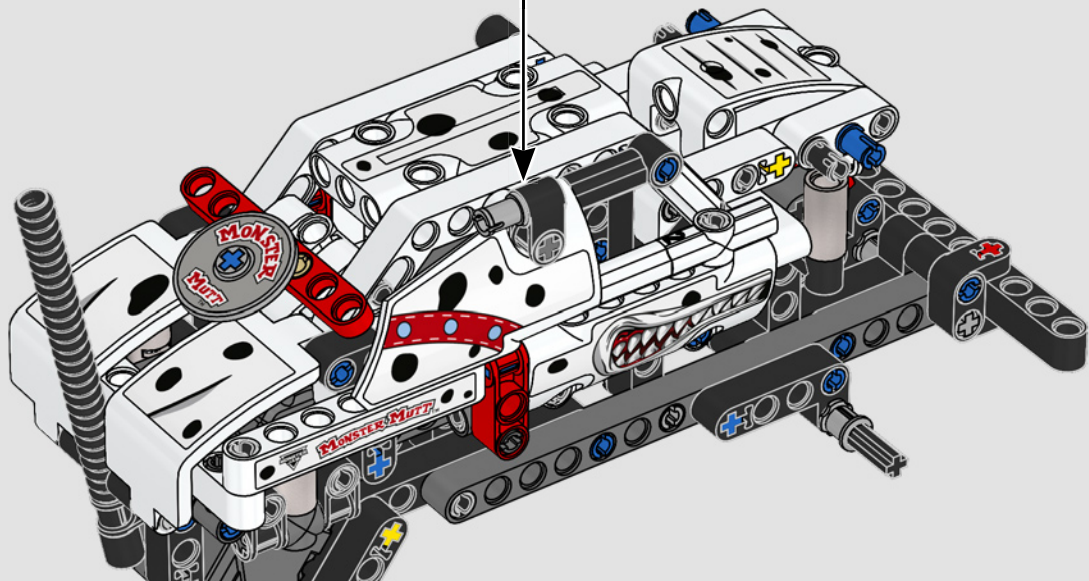
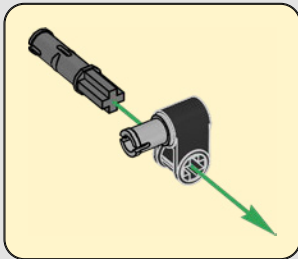


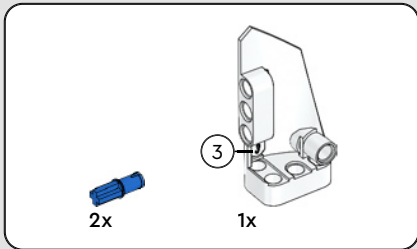
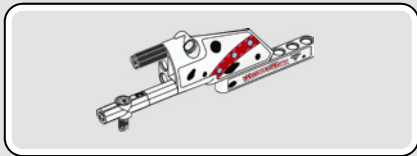
61



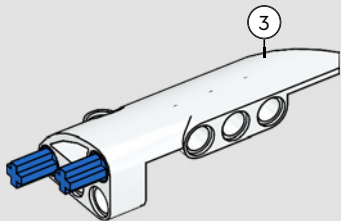


62

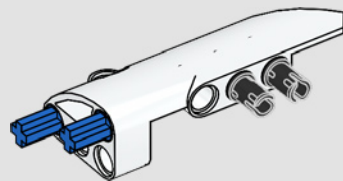




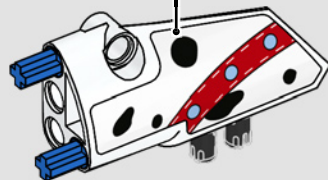
63



64



65





1x

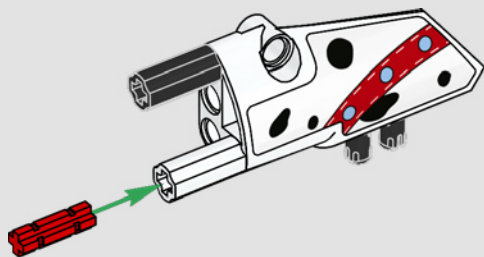


1x



1x

66

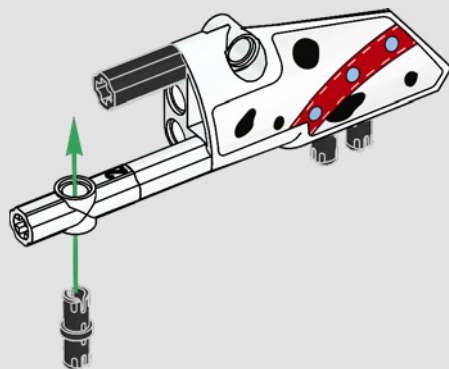


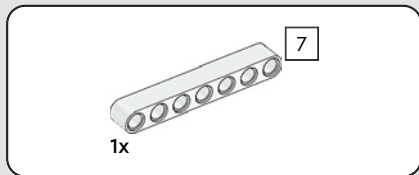
1x



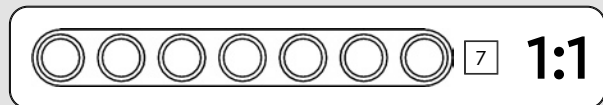
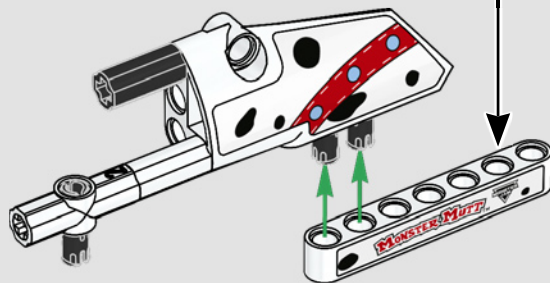
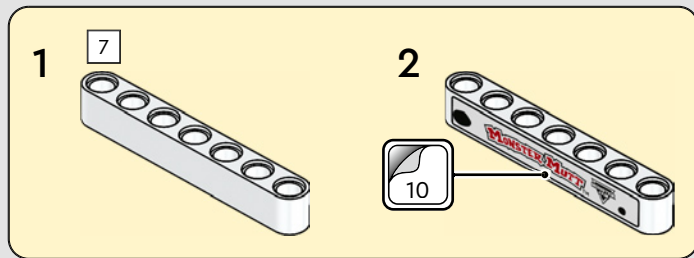
1x

67

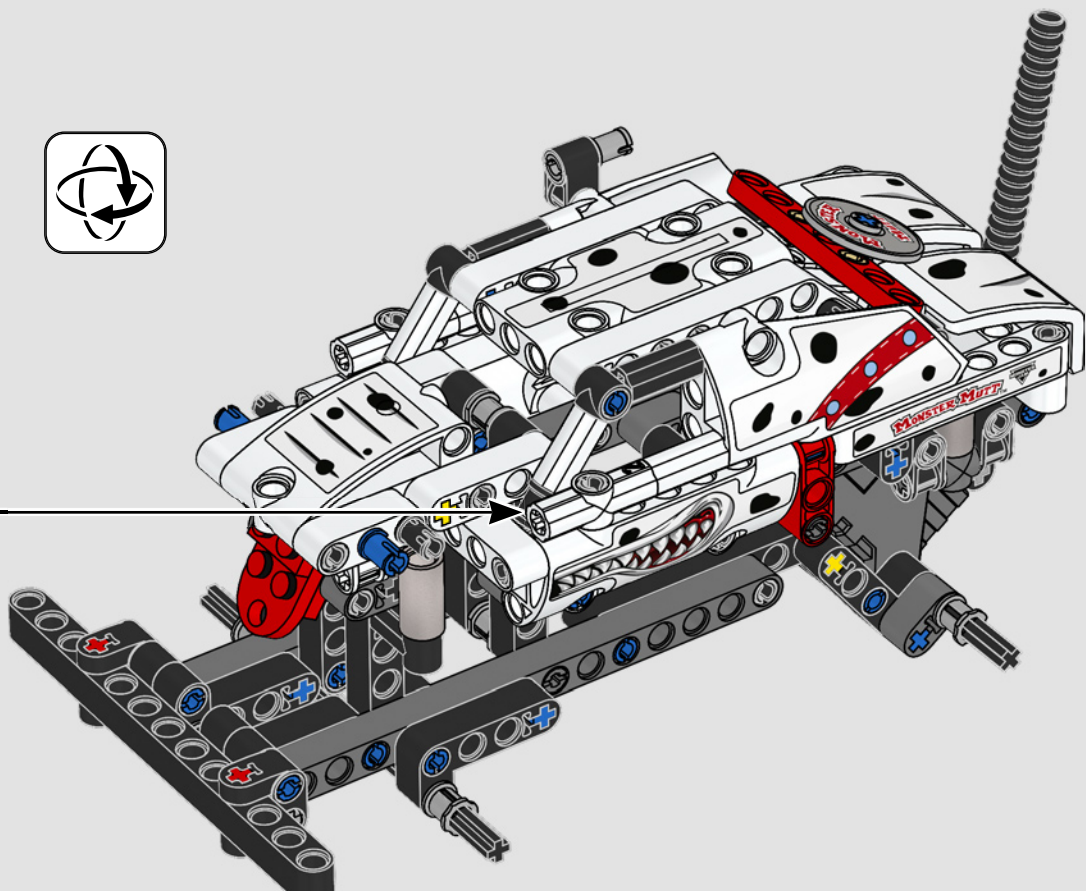
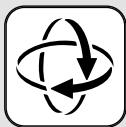




68



69



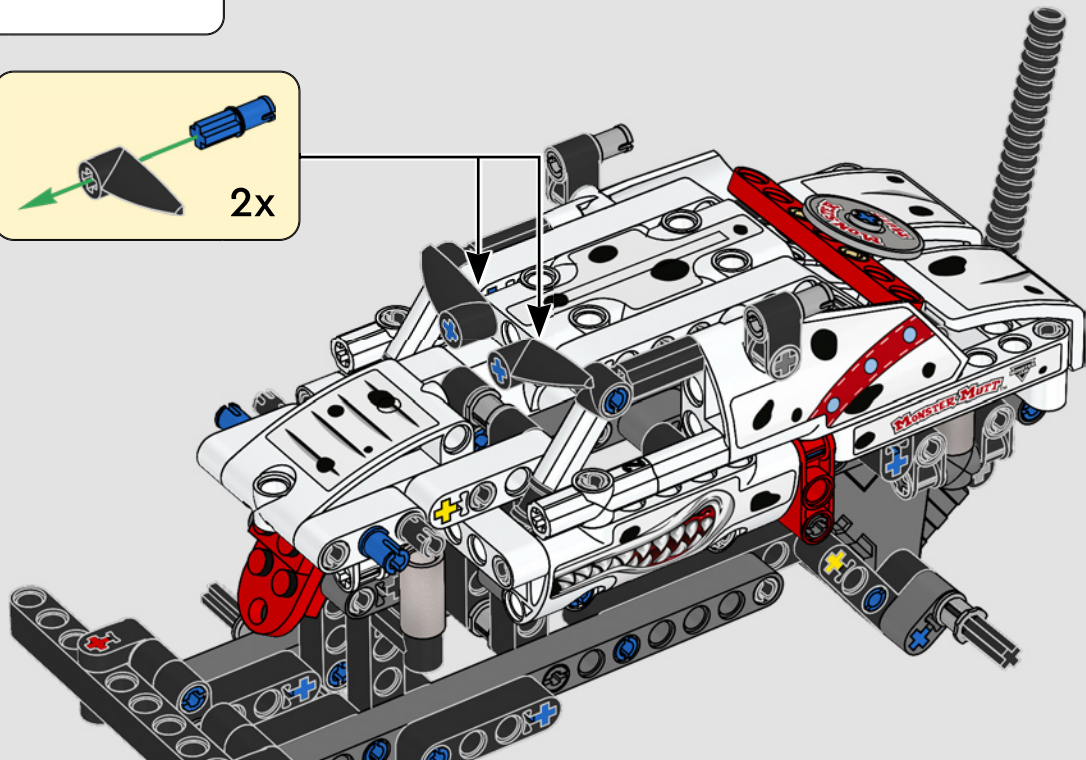
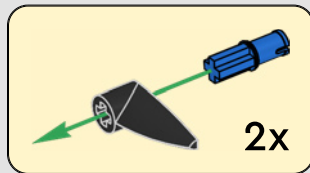


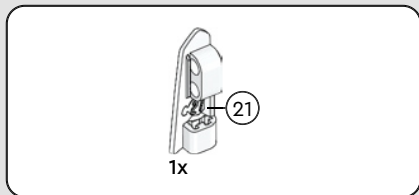
2x



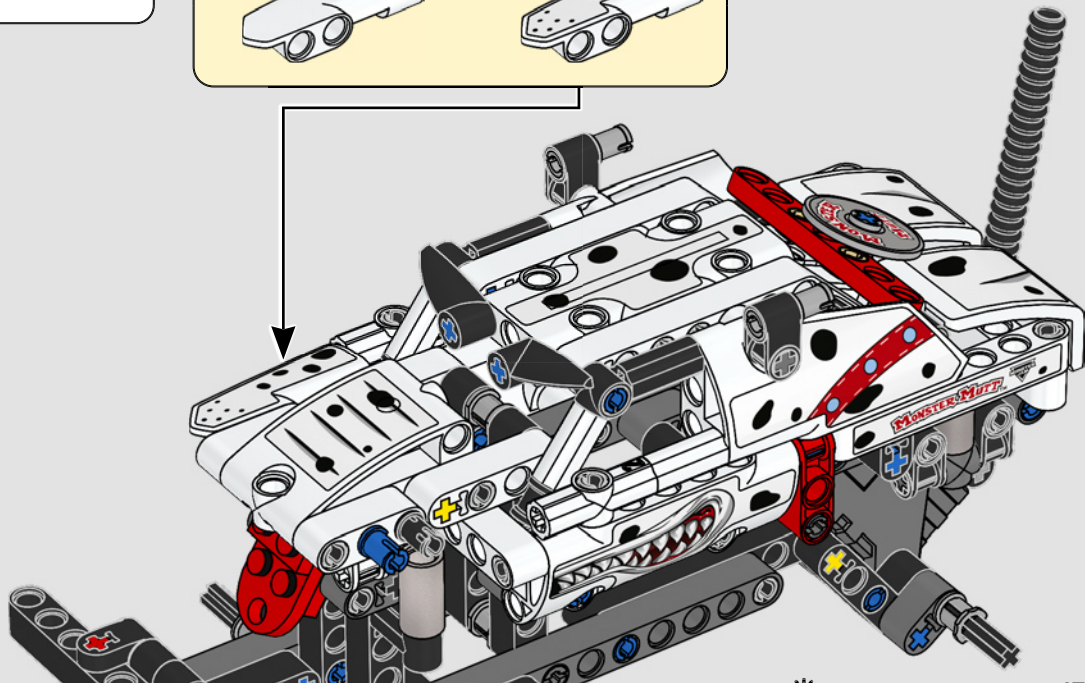
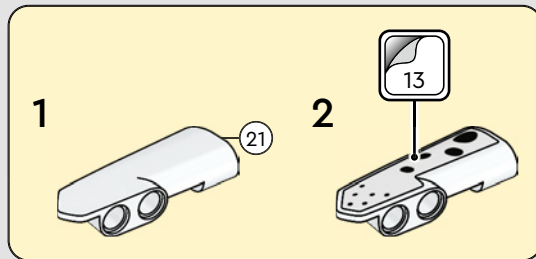
2x

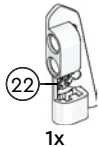
71





72





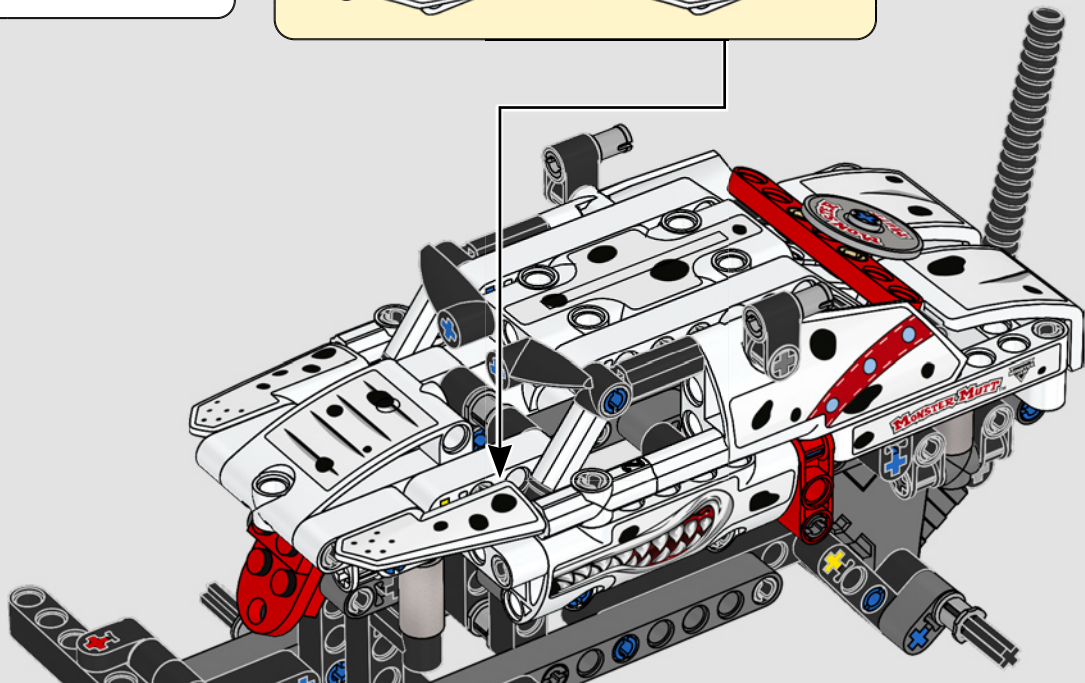
1

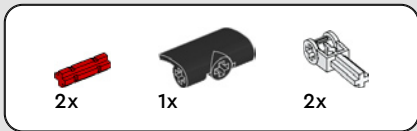
22

2

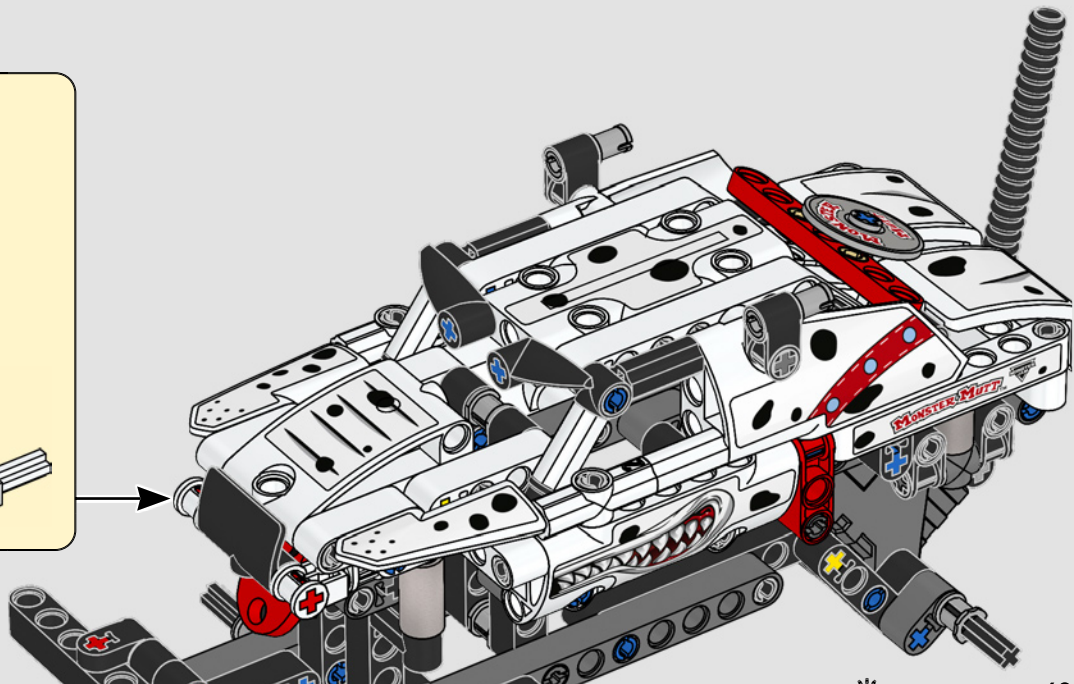
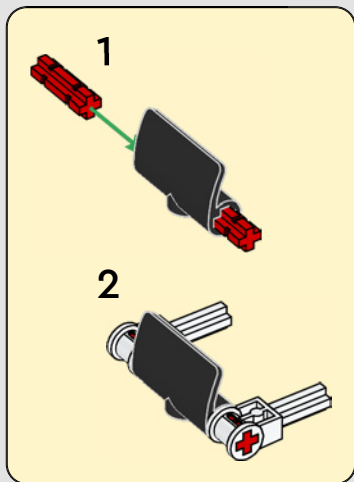
11

73





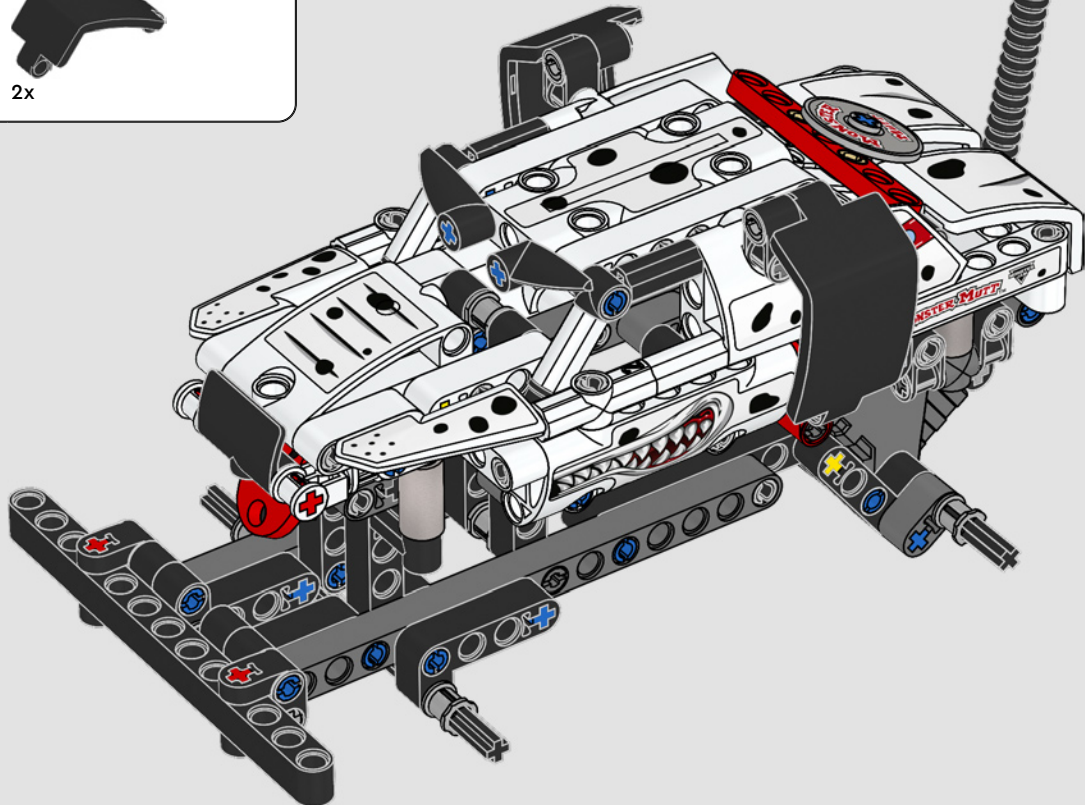
74



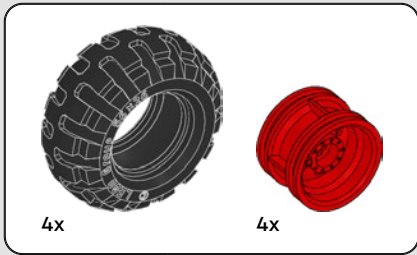


2x

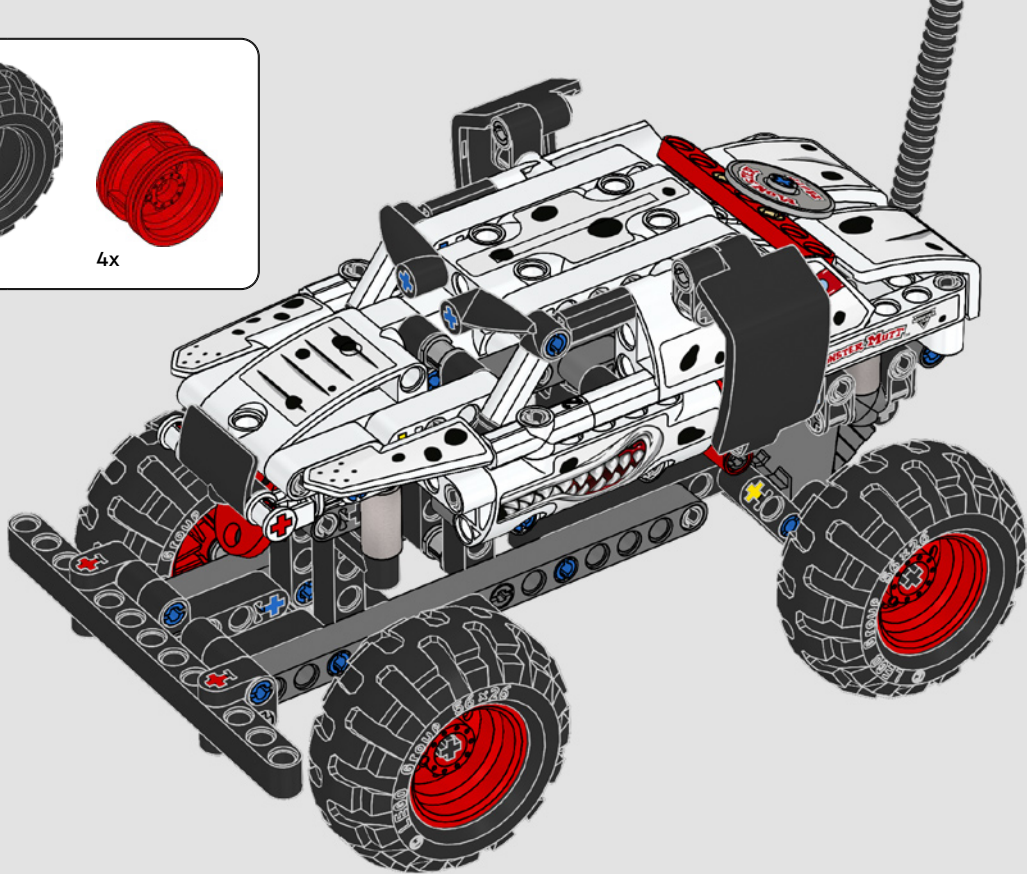
75



70



76



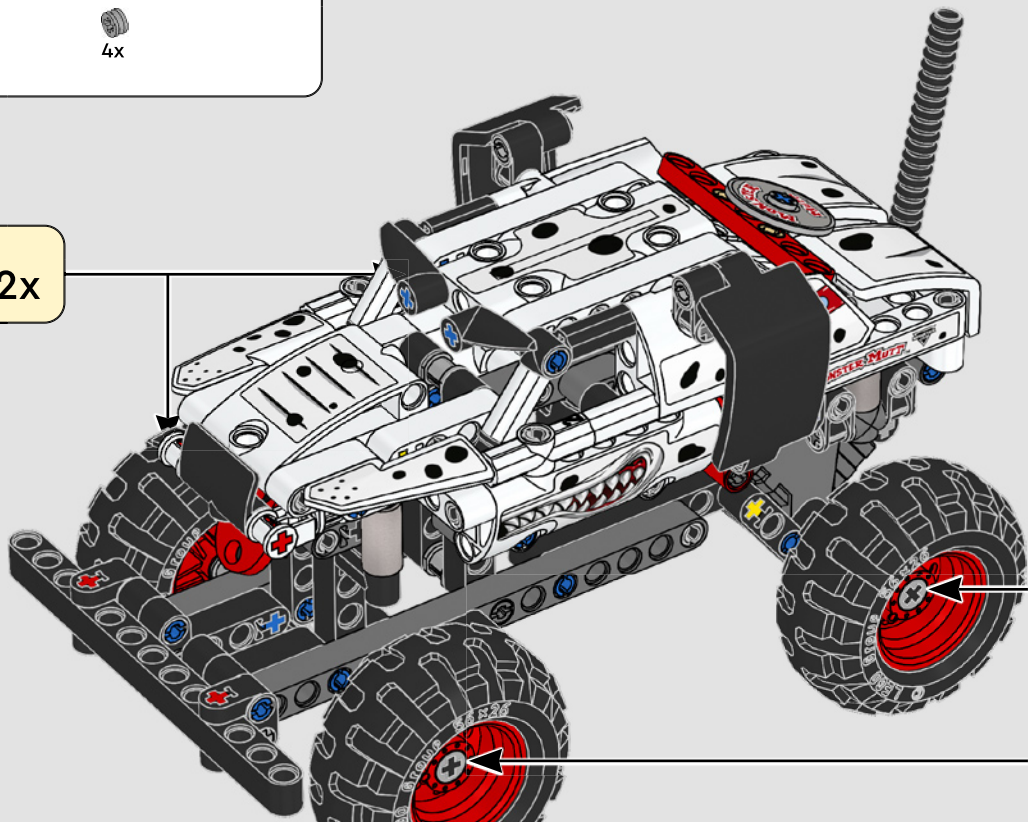


4x

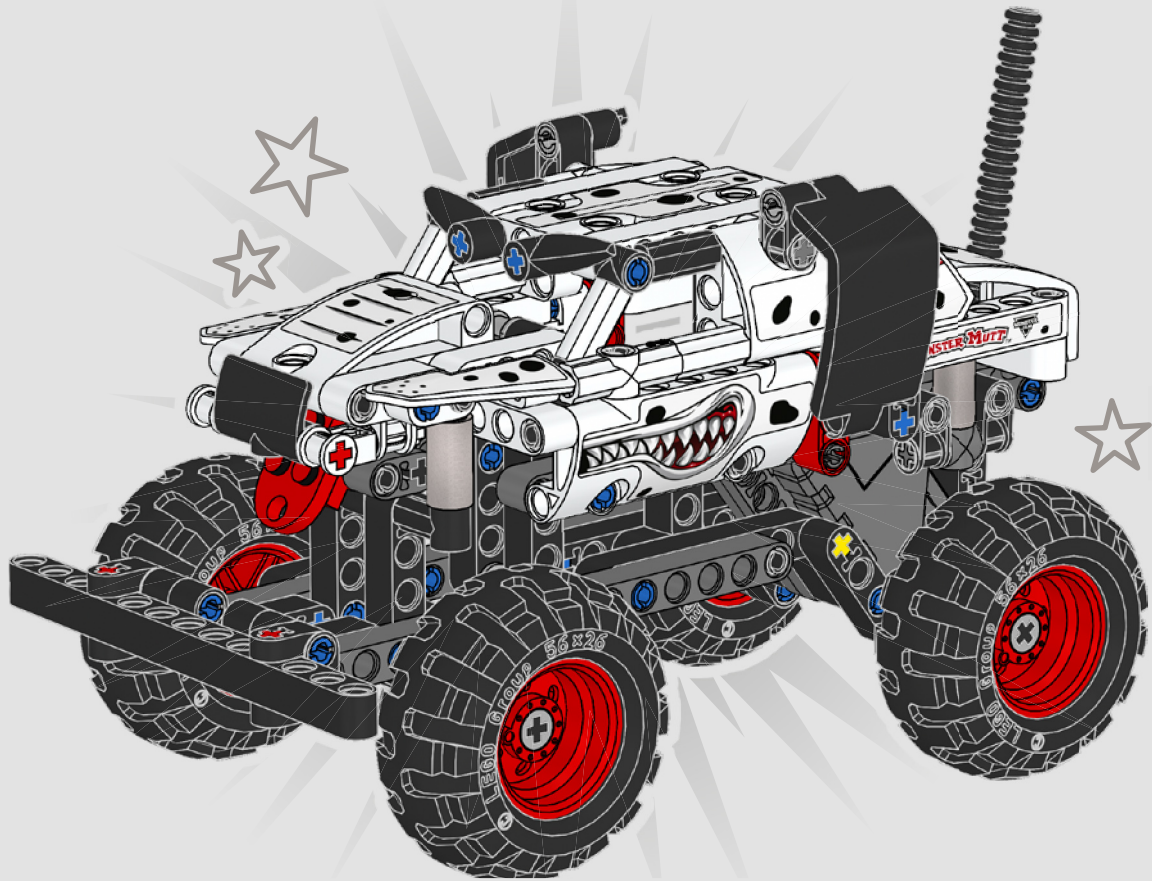
77



2x



2x





TECHNICTM



2x
6013938

4x
6212049

2x
6420462

2x
6402213

2x
6271870

1x
6247424

2x
6271824

2x
6268001

1x
6420460

2x
6246996

1x
6345328

2x
4495927

2x
6001831

2x
6271161

1x
6330084

1x
4547582

22

4

3

1x
4211815

4x
6130008

2x
6371442

9x
4142865

1x
302321

2x
6273712

1x
281721

1x
4188189

3

4x
6414466

1x
6349634

5

2x
6284699

4x
6121485

9x
6261371

45x
6279875

2x
6253260

2x
4512363

2x
6349281

2x
6288220

2x
6089119

1x
6331026

24x
4206482

18x
6299413

4x
6245499

4

1x
370526

14x
6271825

1x
6420612

2x
6268012

4x
4297209

7

1x
4211805

4x
4542576

2x
370826

2x
4495935

1x
4522933

2x
6276835

5x
6271165

5x
6275844

2x
4211807

15

1x
6143751

4x
6282144

6x
6265093

2x
6167281

5x
6015356

1x
4667578

1x
6338962

3x
6321747

 [LEGO.com/service](https://www.LEGO.com/service)



YOU COULD
WIN



Scan this QR code or go to
LEGO.COM/PRODUCTFEEDBACK and give us
your short feedback about this LEGO® set for
a chance to win a cool LEGO prize.

Terms and Conditions apply*



DE: Du könntest GEWINNEN. Es gelten die Teilnahmebedingungen* **FR: Tu pourrais GAGNER.** Des conditions s'appliquent* **IT: Potresti VINCERE tu.** Termini e condizioni sono applicabili* **ES: Puedes GANAR.** Aplican términos y condiciones* **PT: Poderá GANHAR.** Aplicam-se termos e condições* **JA: プレゼント付き! 利用規約が適用されます*** **ZH: 轻松获奖. 条款和条件适用*** **KO: 상품의 주인이 되어보세요. 소정의 약관이 적용됩니다*** **RU: Вы можете ВЫИГРАТЬ.** Действуют положения и условия* **PL: Szansa na WYGRANĄ.** Obowiązują warunki korzystania* **CS: Máte šanci VYHRÁT.** Platí všeobecné smluvní podmínky* **SK: Máte šancu VYHRAŤ.** Platia všeobecné zmluvné podmienky* **HU: TE IS NYERHETSZ.** Felhasználási feltételek érvényesek* **RO: Ai putea CÂȘTIGA.** Se aplică termenii și condițiile* **BG: Можете да СПЕЧЕЛИТЕ.** Има определени правила и условия* **LV: Tu vari LAIMĒT.** Ir spēkā noteikumi un nosacījumi.* **ET: Sul on võimalus VÕITA.** Kehtivad tingimused* **LT: Jūs galite LAIMĖTI.** Taikomos sąlygos*

*[LEGO.com/productfeedback-terms](https://www.lego.com/productfeedback/terms)

LEGO and the LEGO logo are trademarks of the/son des marques de commerce du/son marcas registradas de LEGO Group. ©2023 The LEGO Group.
©2023 Feld Motor Sports, Inc. MONSTER JAM™, MONSTER MUTT™ DALMATIAN, and all related logos and characters/designs are intellectual property
of and used under license from Feld Motor Sports, Inc. All rights reserved.

6449349