



SPEED CHAMPIONS



76895



[LEGO.com/speedchampions](https://www.lego.com/speedchampions)





- 1 Scan the code on the front cover
Scanne den Code auf der Titelseite
Scanne le code sur la page couverture
Scanner le code sur la page couverture
Scansiona il codice sulla copertina
Escanea el código de la portada
Faz scan do código na frente da capa
Olvasd be a borítón látható kódot!
Noskenë kodu uz priekšējā vāka
扫描封面上的二维码

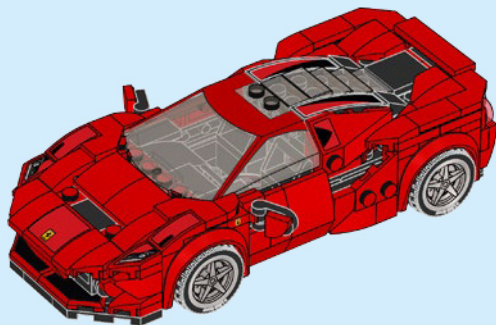
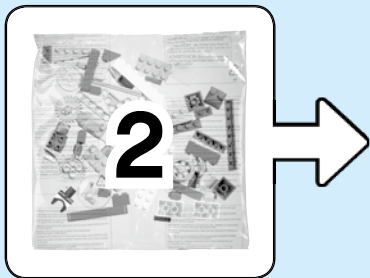
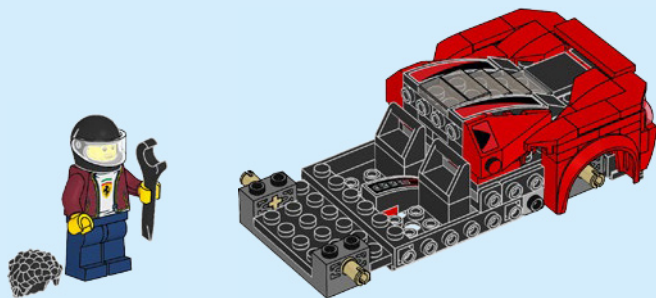
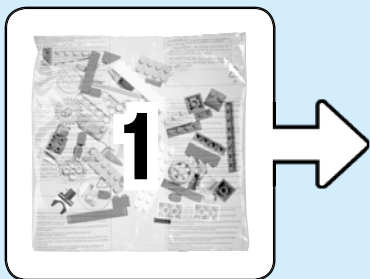


- 2 Get the Building Instructions
Hol dir die Bauanleitung
Obtiens les instructions de montage
Obtenir les instructions de montage
Scarica le istruzioni per la costruzione
Consulta las instrucciones de construcción
Obtém as Instruções de Construção
Szerezd be az építési útmutatókat!
Saņem būvēšanas instrukcijas
获取拼搭说明

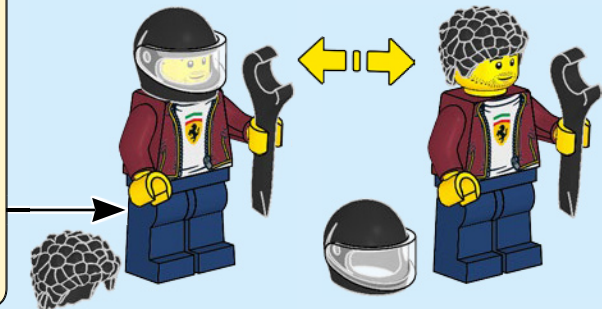
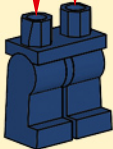
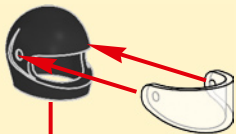
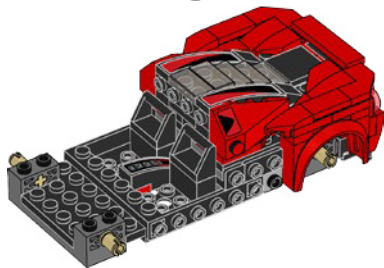
LEGO.com/apps

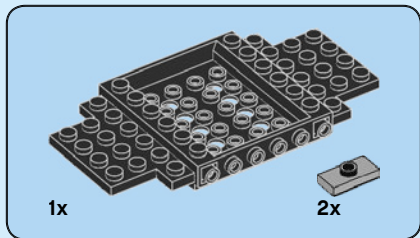
Check for compatibility
Kompatibilität prüfen
Vérifier la compatibilité
Controlla la compatibilità
Comprueba tu compatibilidad

Verificar a compatibilidade
Ellenőrizd a kompatibilitást
Pārbaudīt saderību
检查兼容性

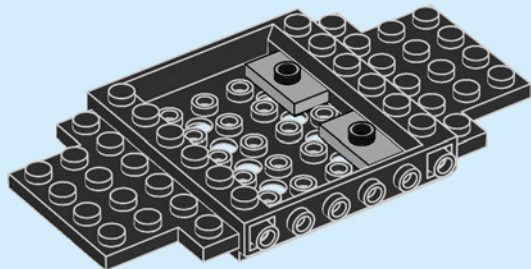


1x

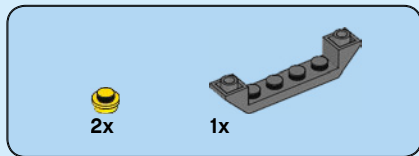




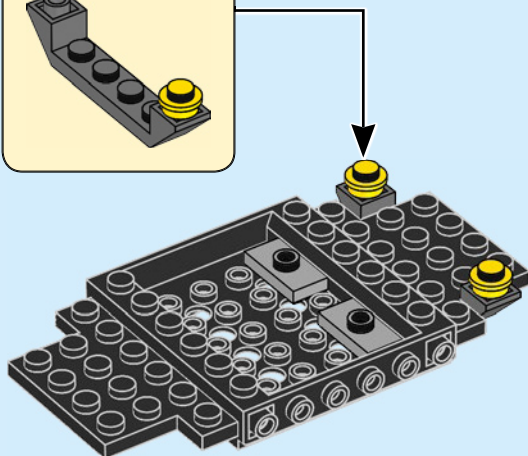
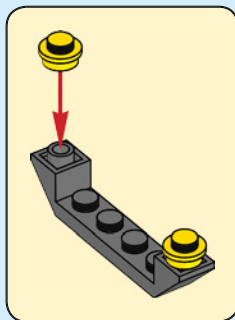
1

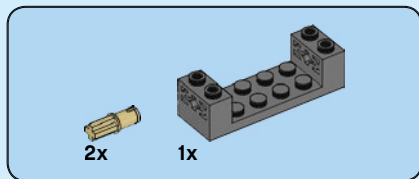


6

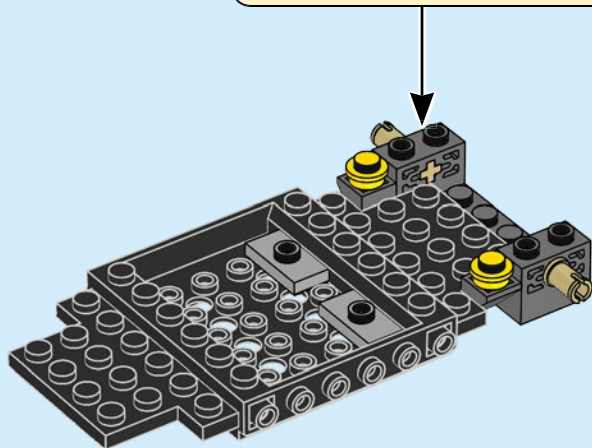
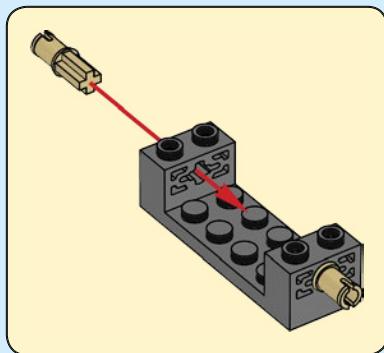


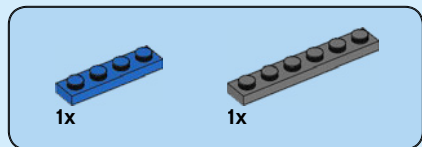
2



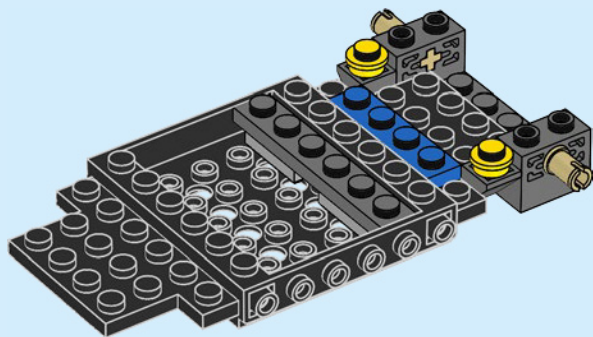


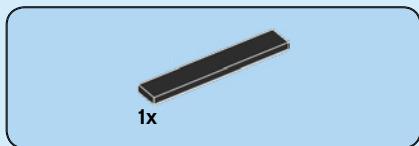
3



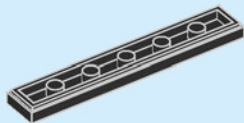


4

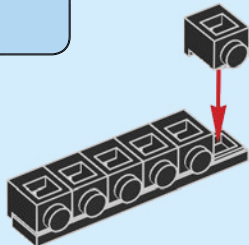




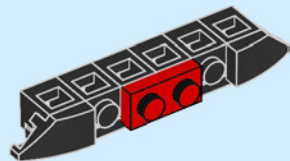
5



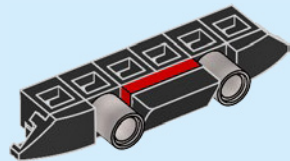
6

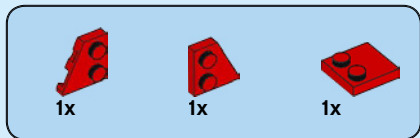


7

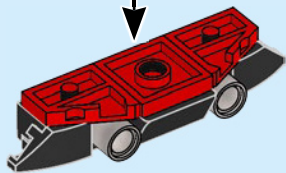
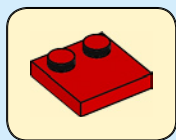


8

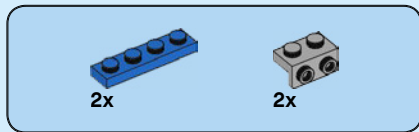




9

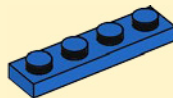


10

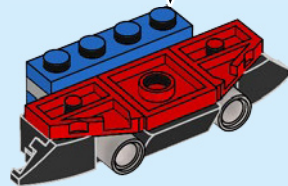
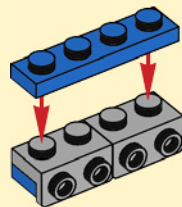


10

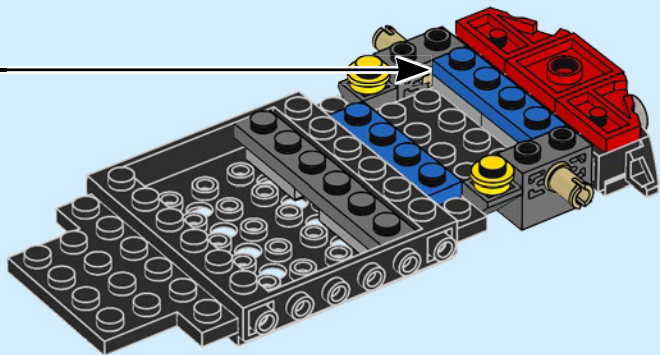
1



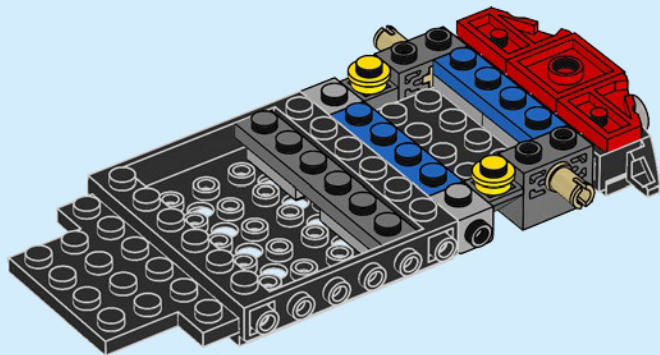
2



11



12



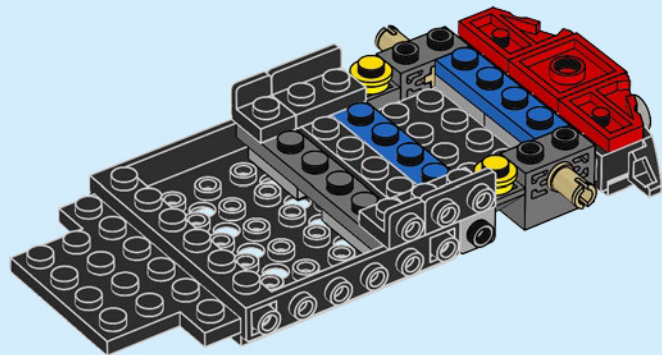


2x



2x

13



12

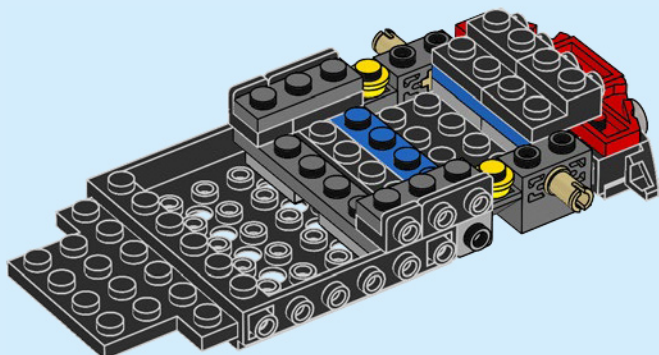


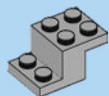
2x



2x

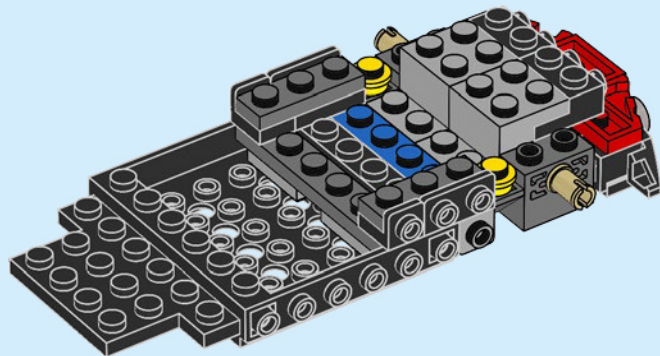
14





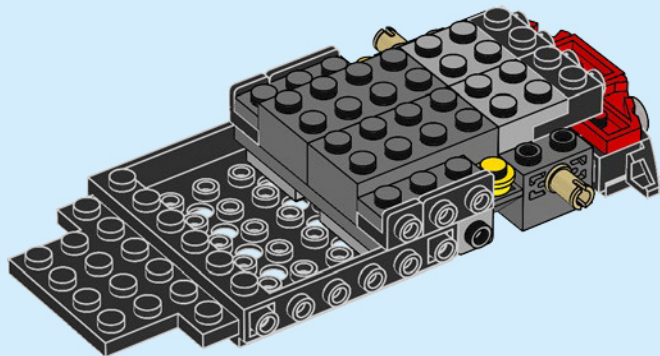
2x

15



2x

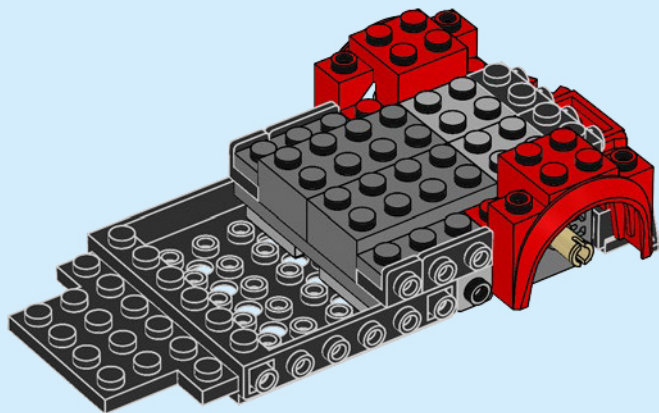
16





2x

17

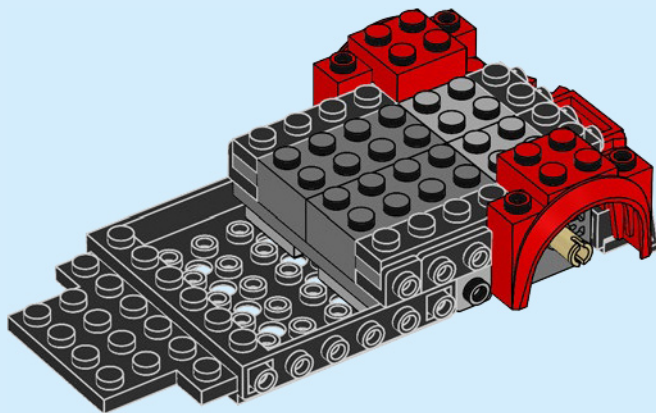


14



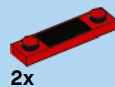
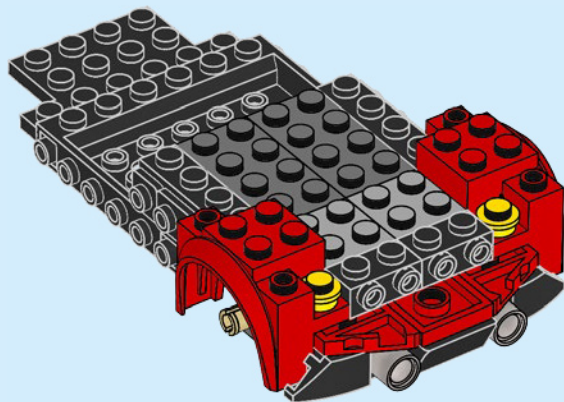
2x

18

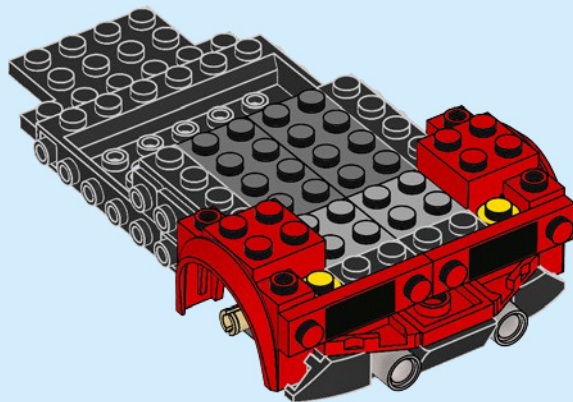


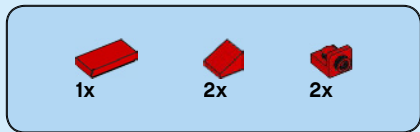


19

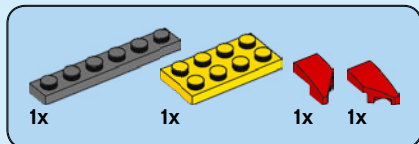
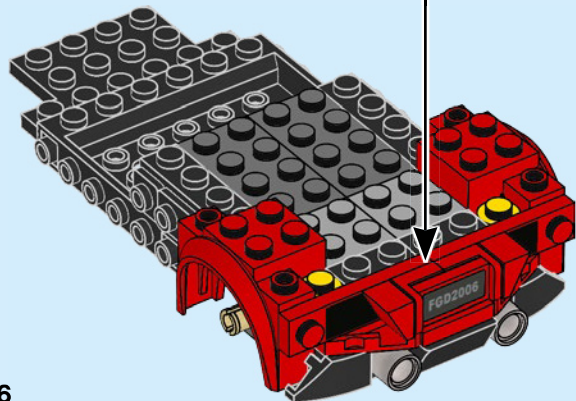
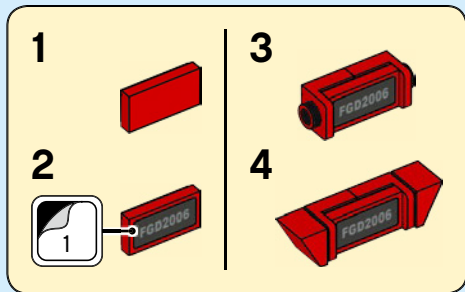


20

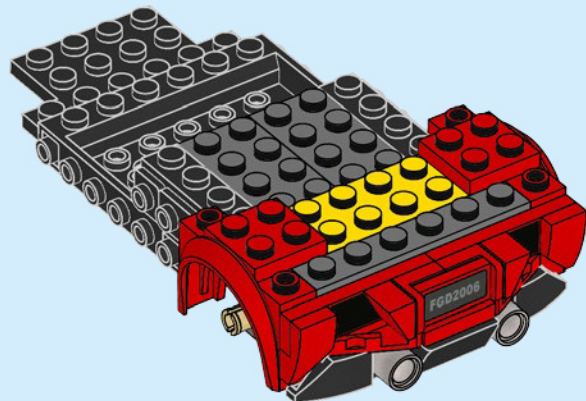


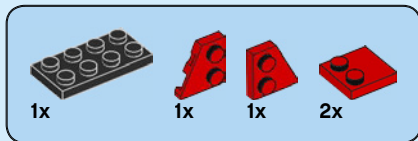


21

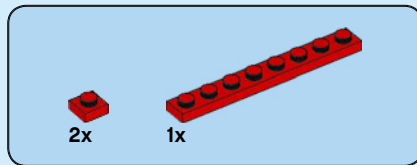
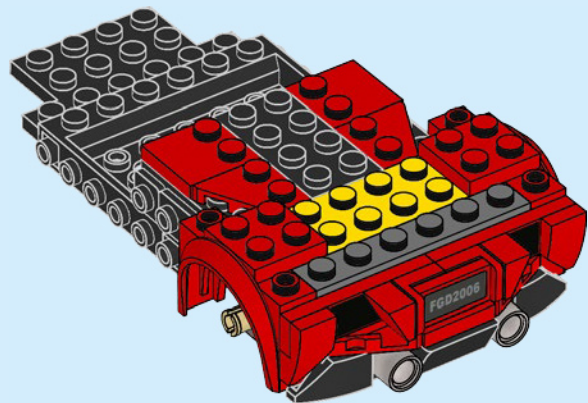


22

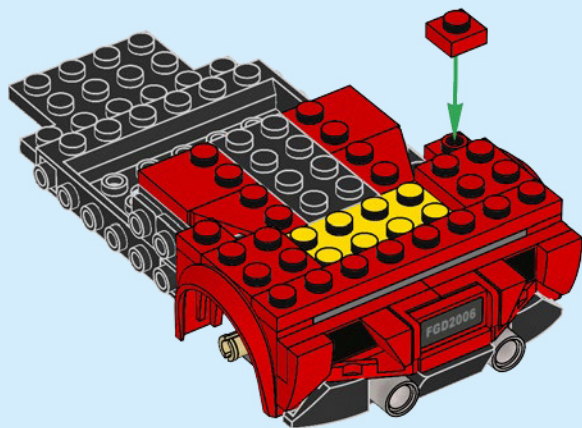


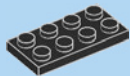


23



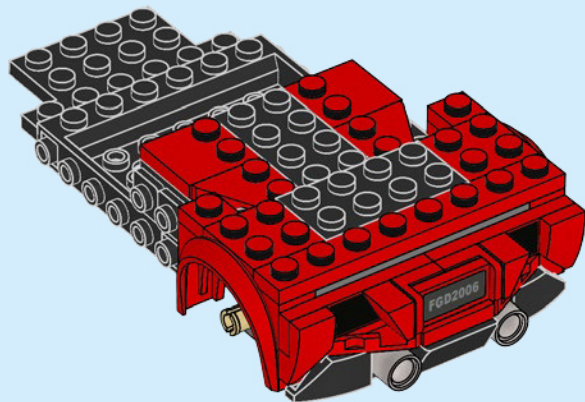
24





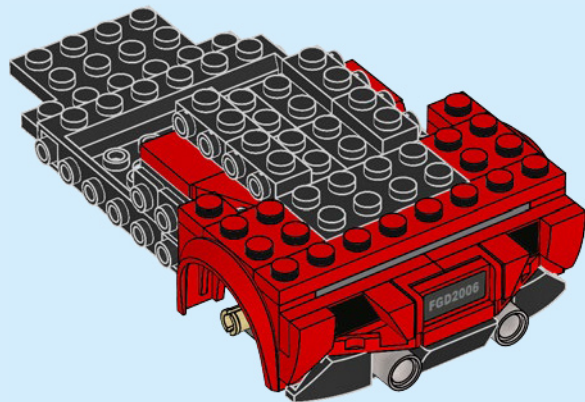
1x

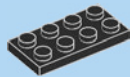
25



4x

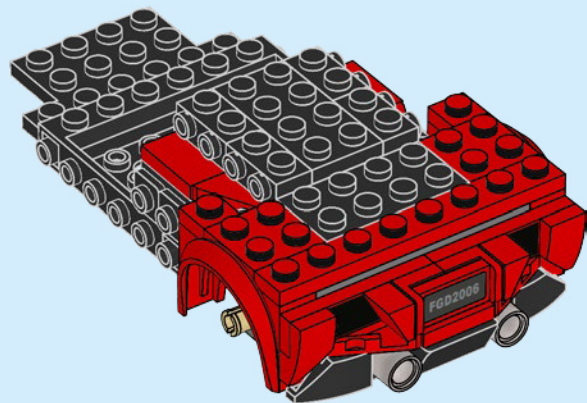
26





1x

27



1x

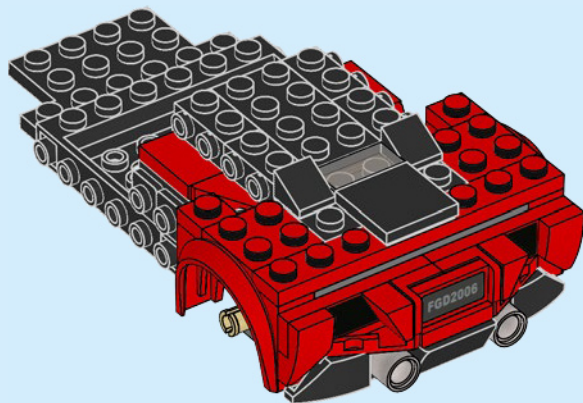


2x



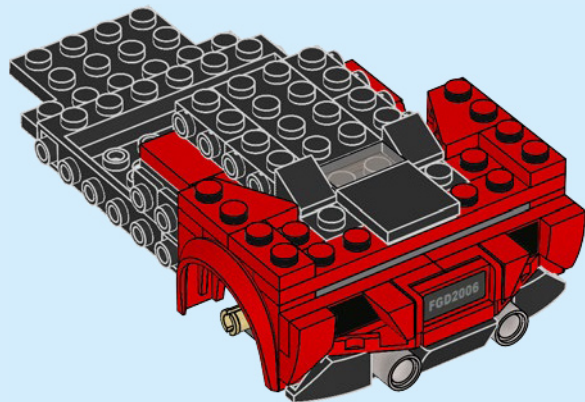
1x

28

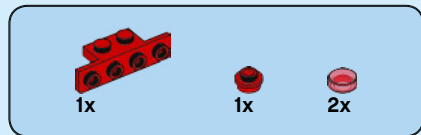




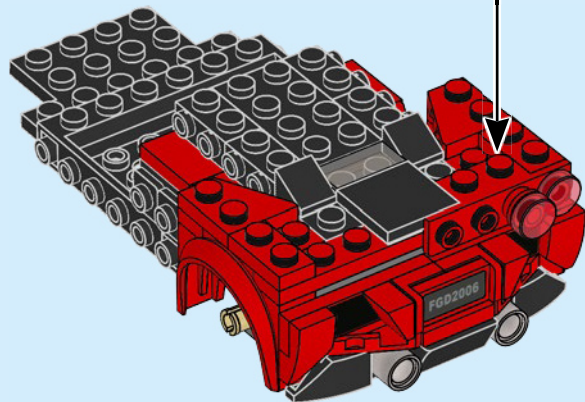
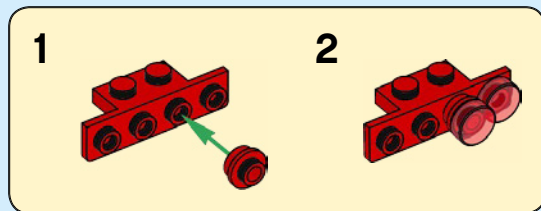
29

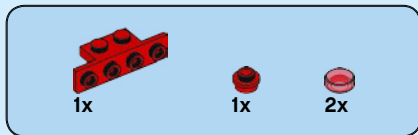


20

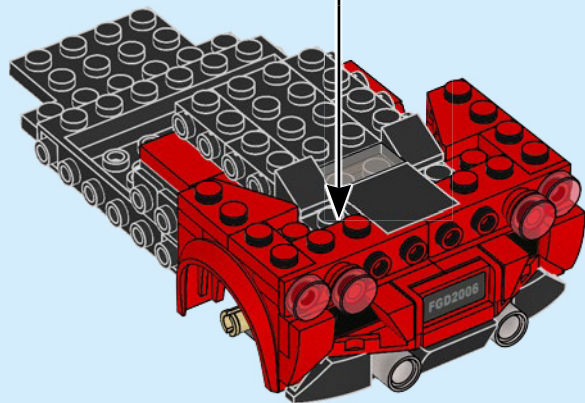
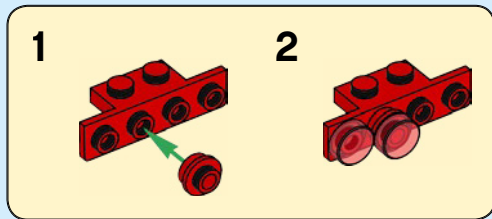


30





31





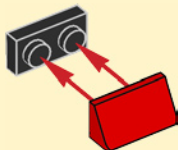
1x



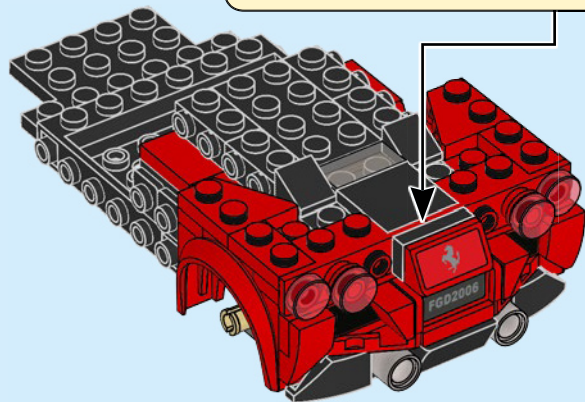
1x

32

1



2



2x

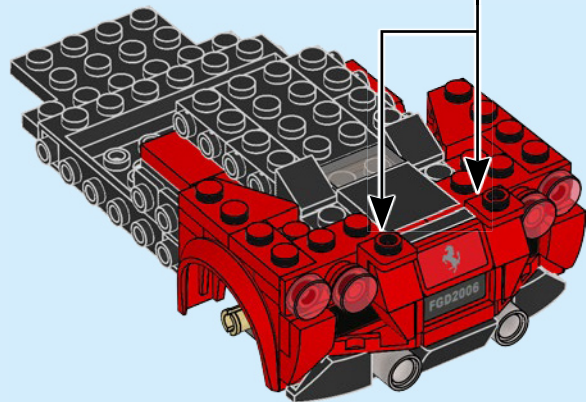


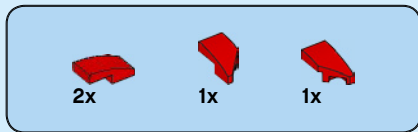
2x

33

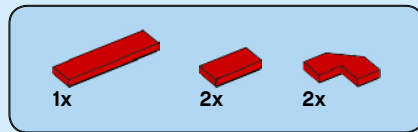
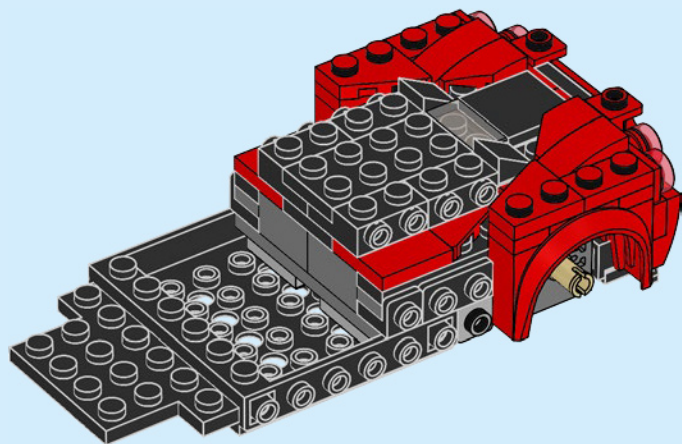


2x

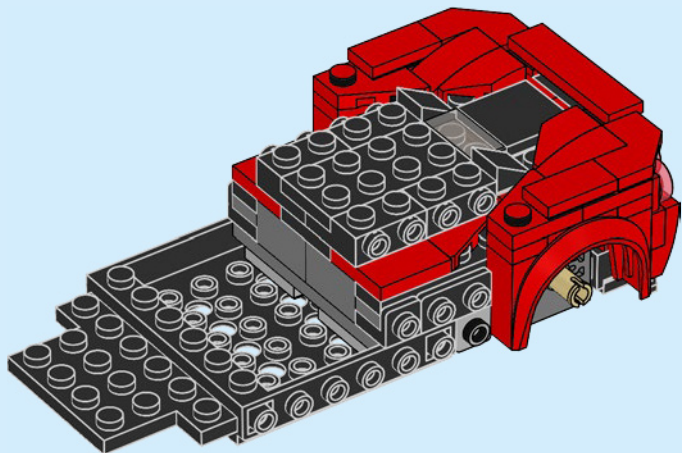




34



35



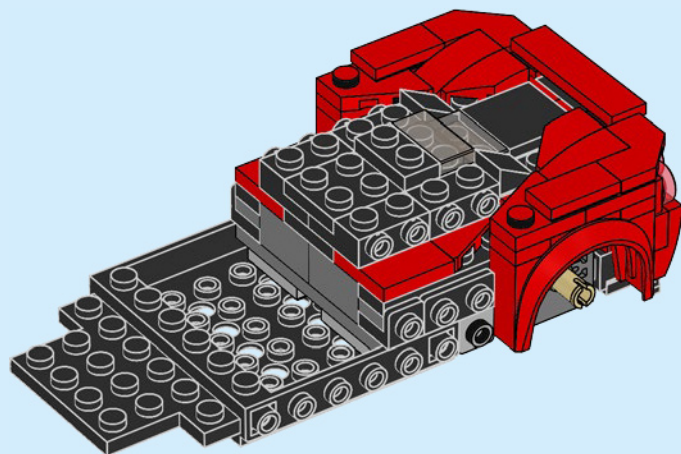


1x



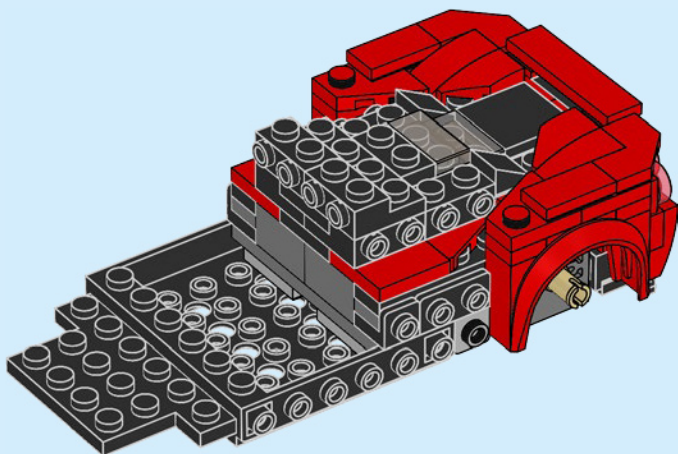
1x

36



2x

37



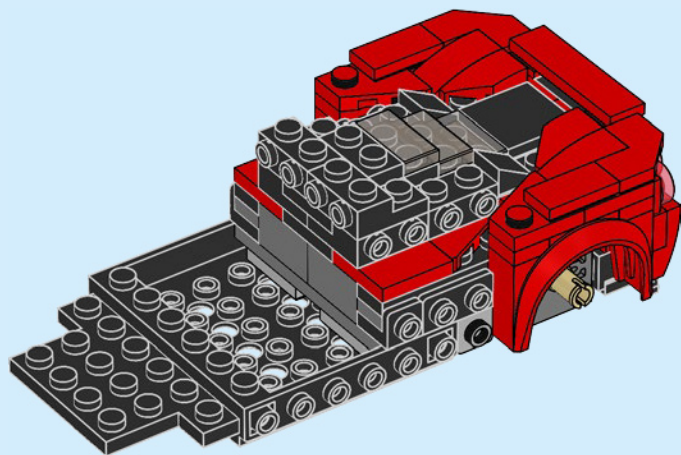


1x



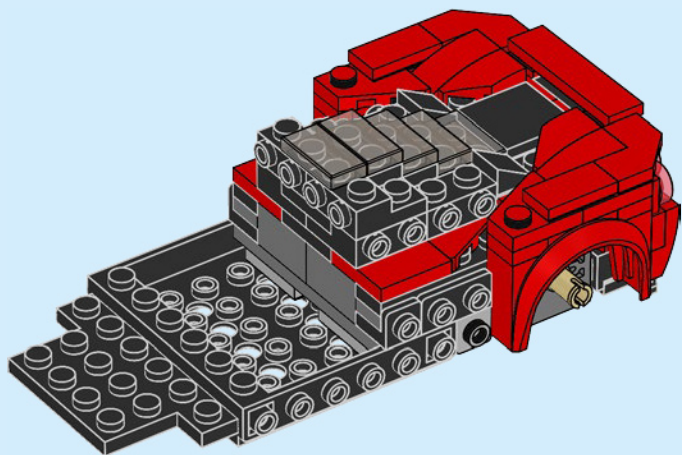
1x

38



2x

39





2x

40

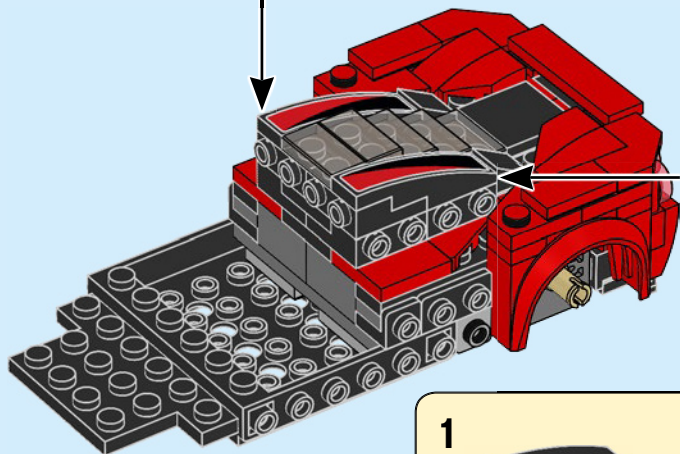
1



2



2



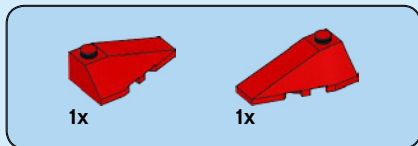
1



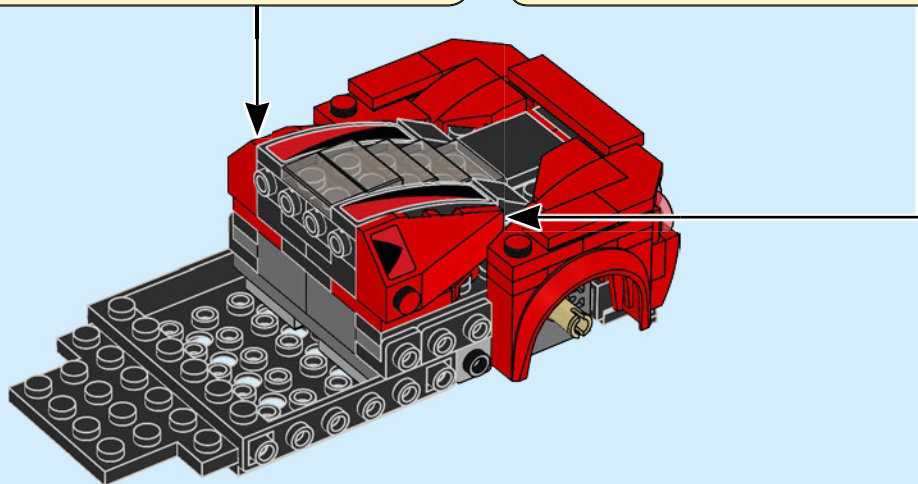
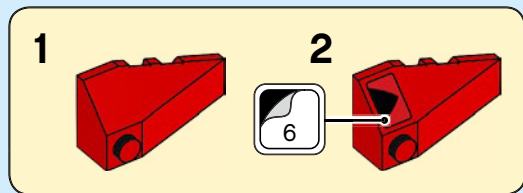
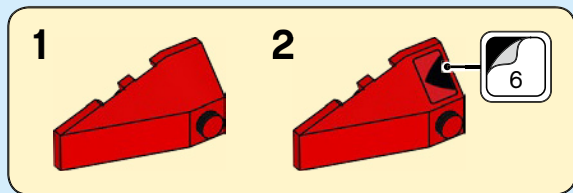
2



4



41



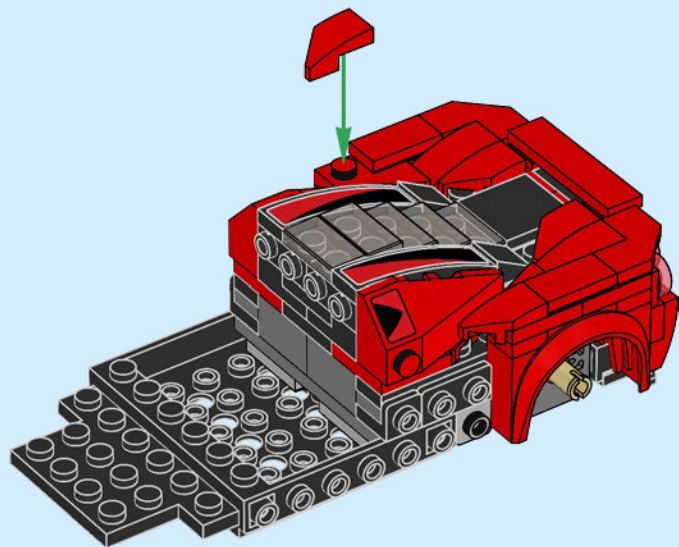


1x



1x

42

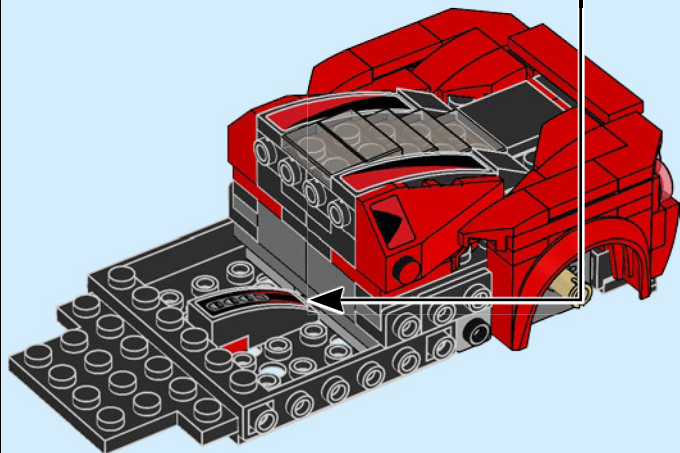
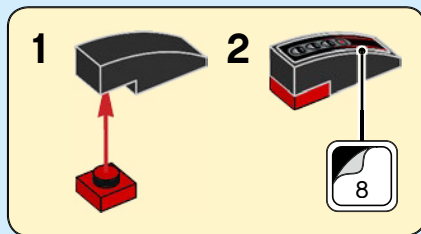


1x



1x

43





2x

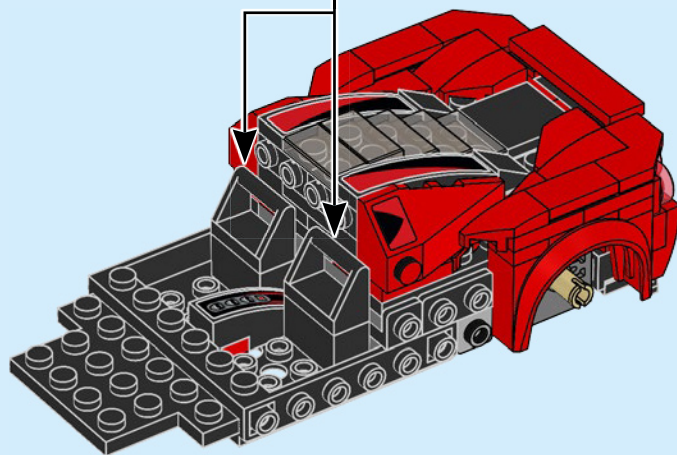


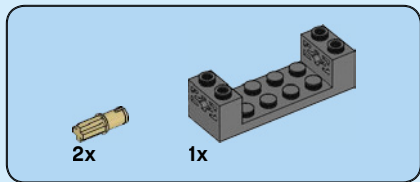
2x

44

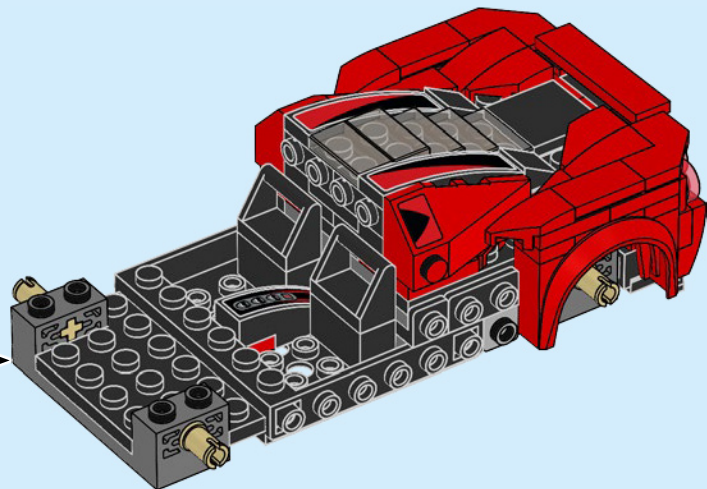
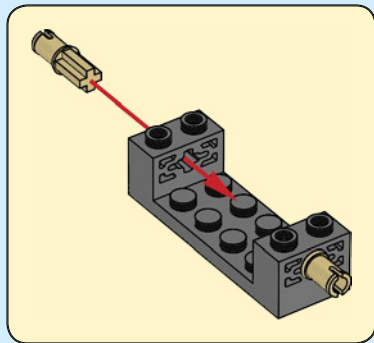


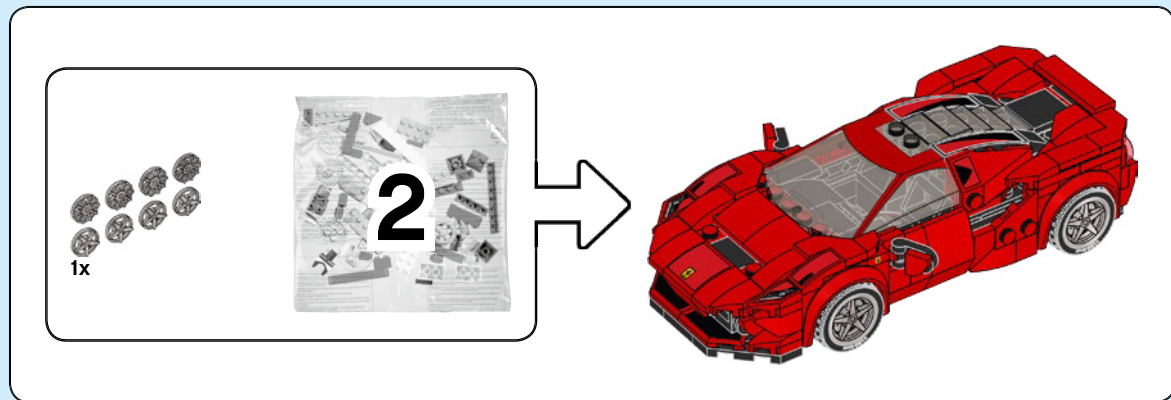
2x





45





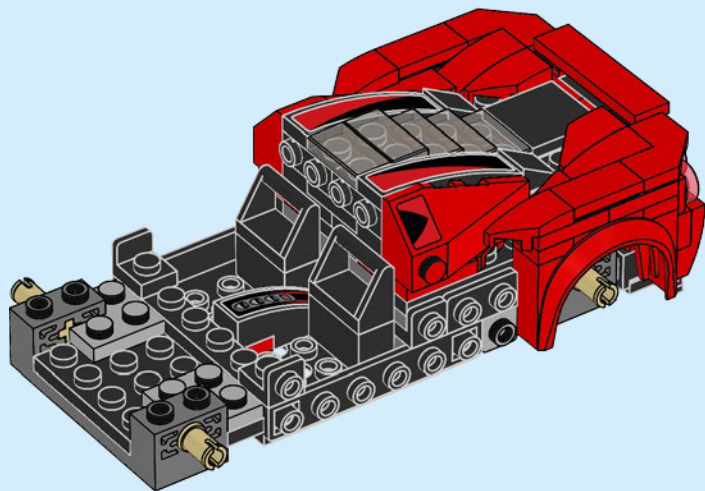


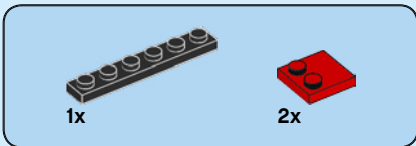
2x



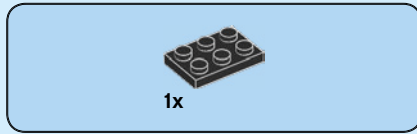
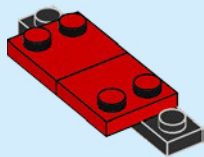
2x

46

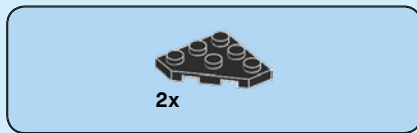
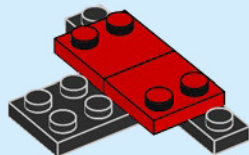




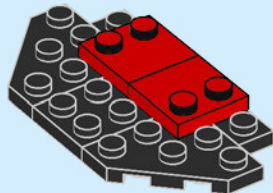
47



48



49



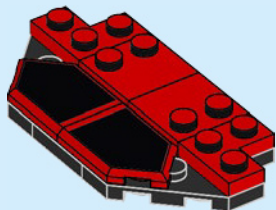


2x



2x

50

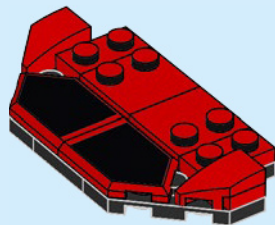


1x



1x

51

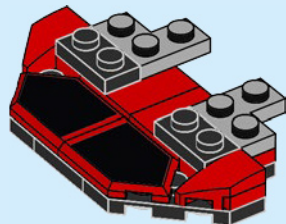


2x

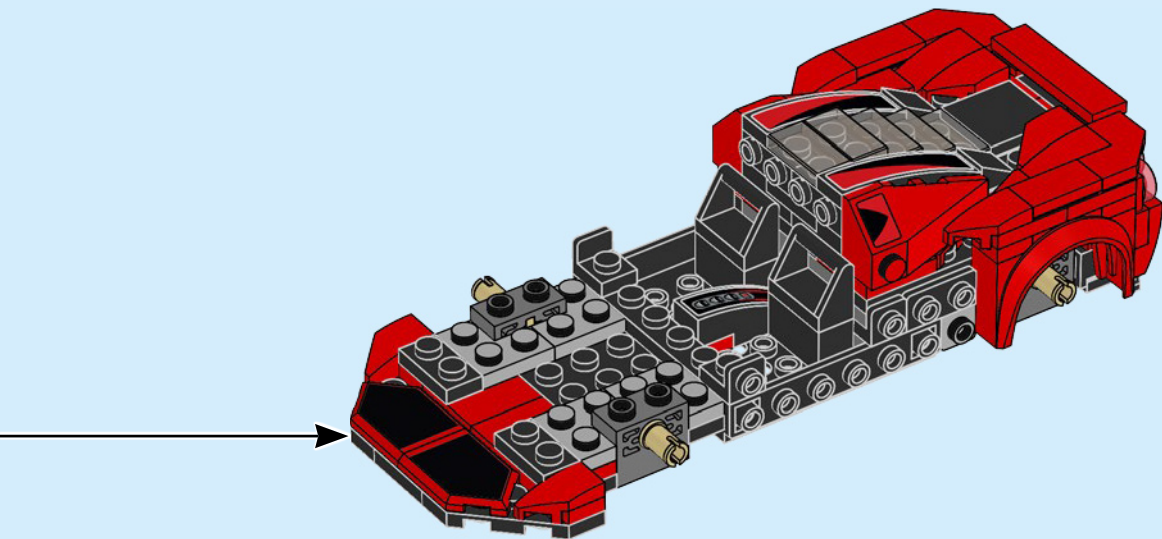


2x

52



53



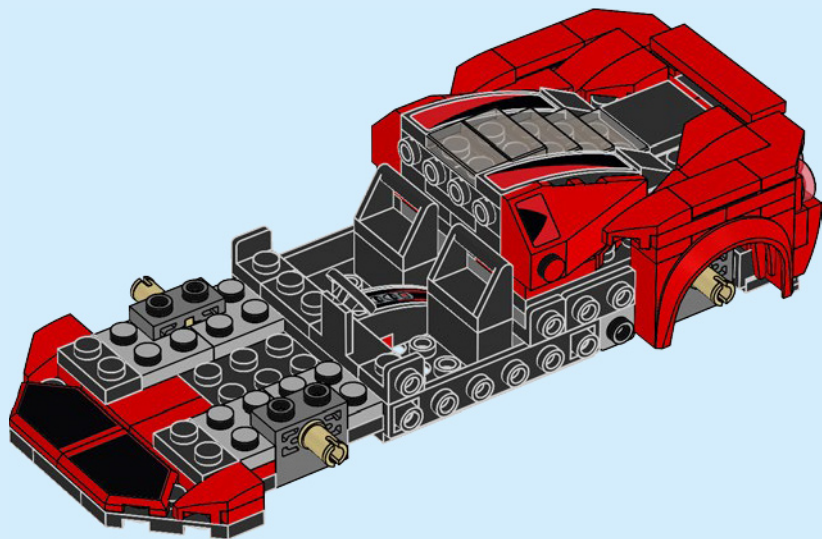


1x



1x

54



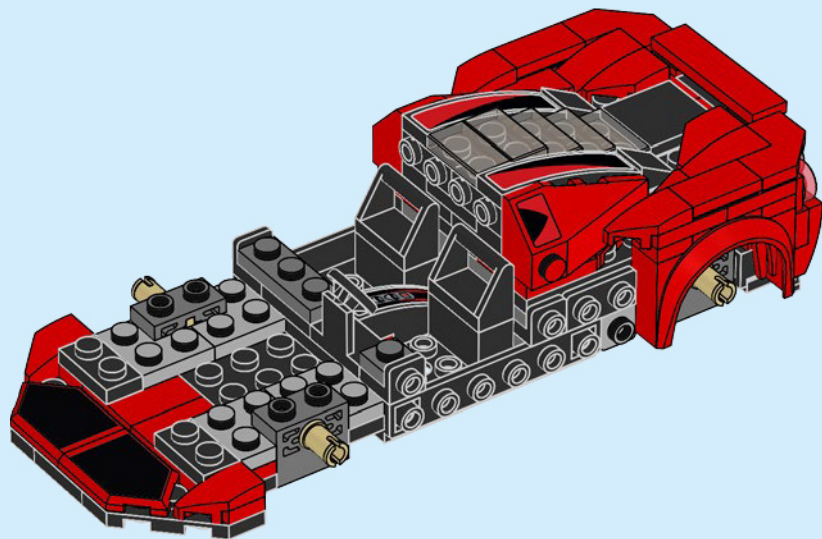


1x



1x

55



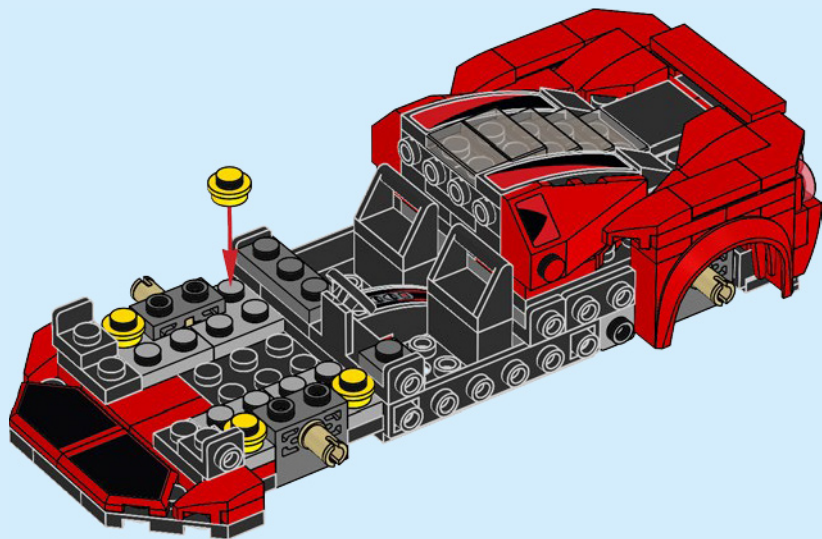


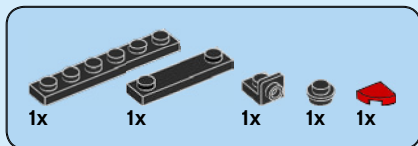
4x



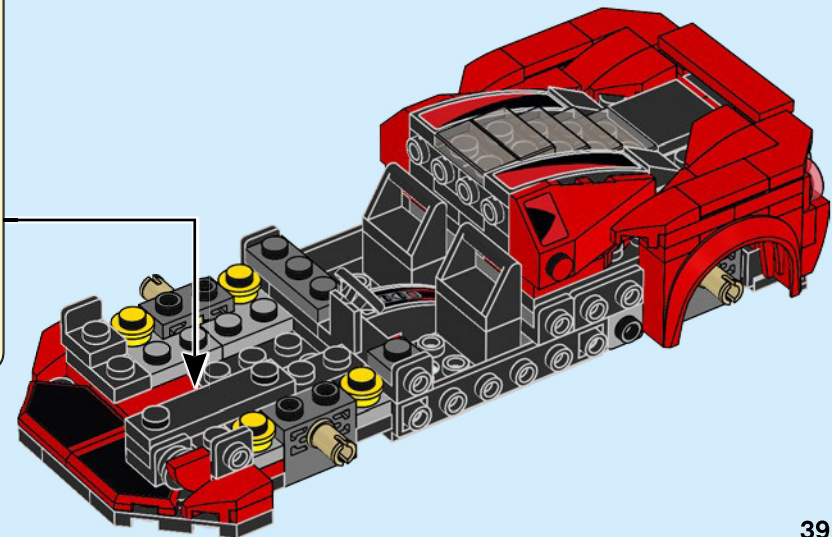
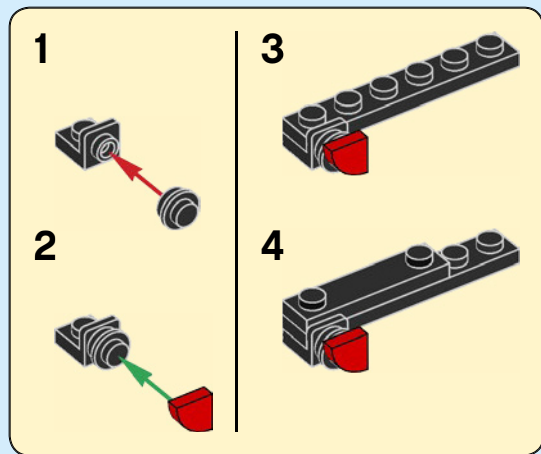
2x

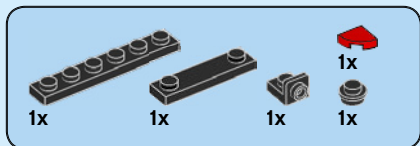
56



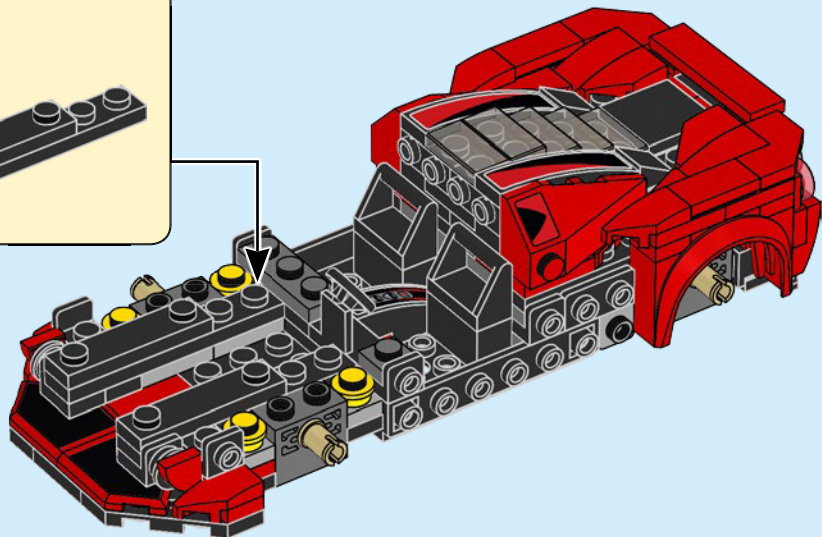
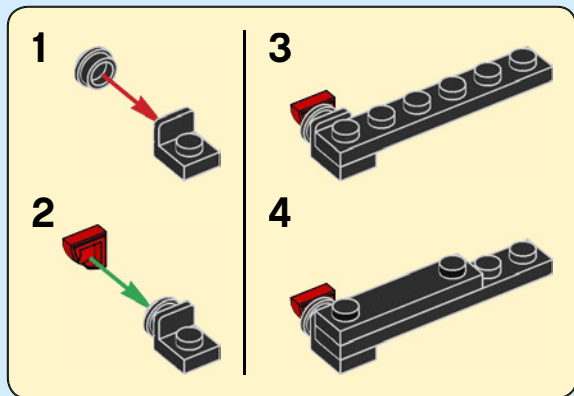


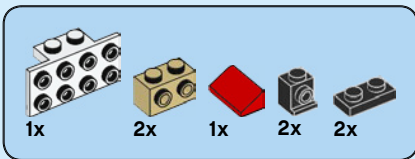
57





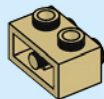
58



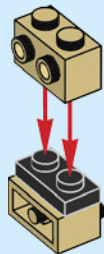


59

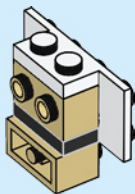
1



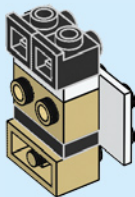
2



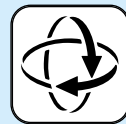
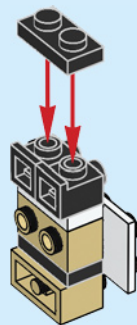
3



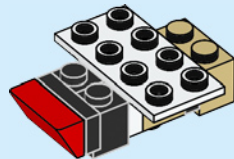
4

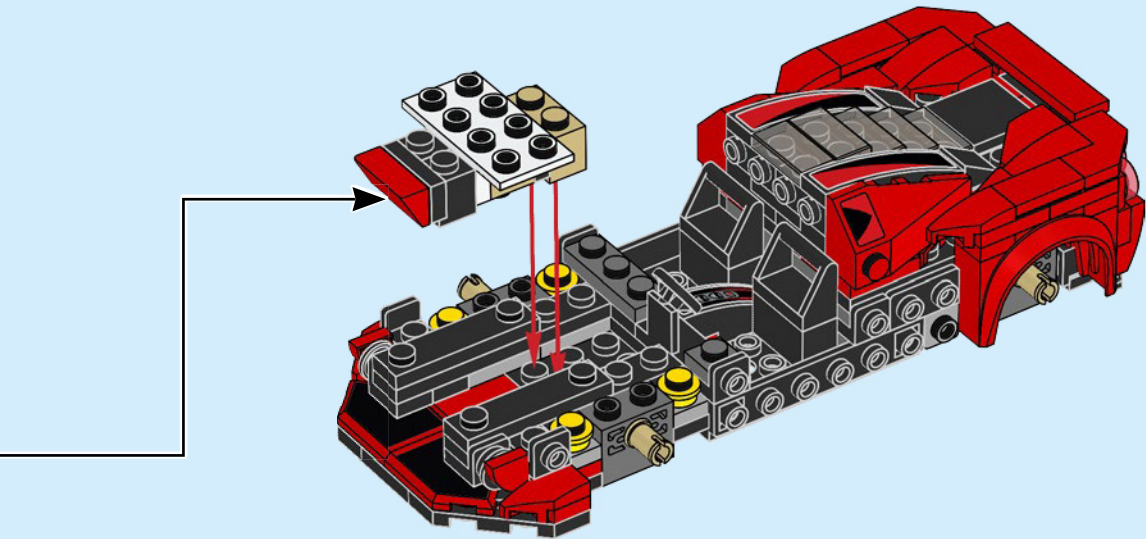


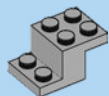
5



6

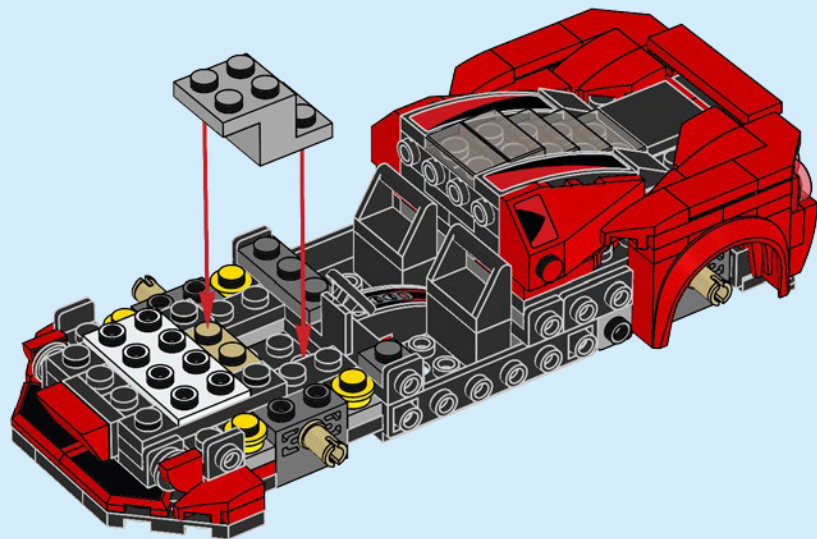






1x

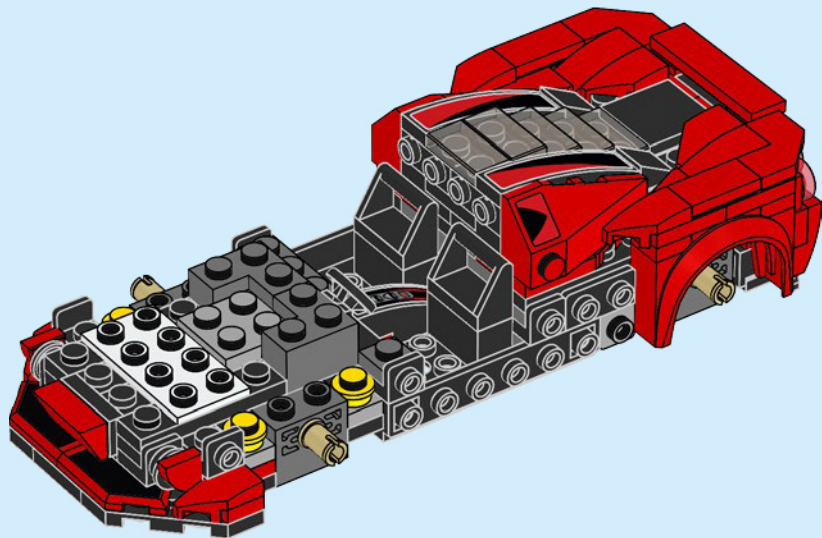
60

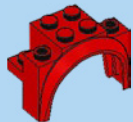




2x

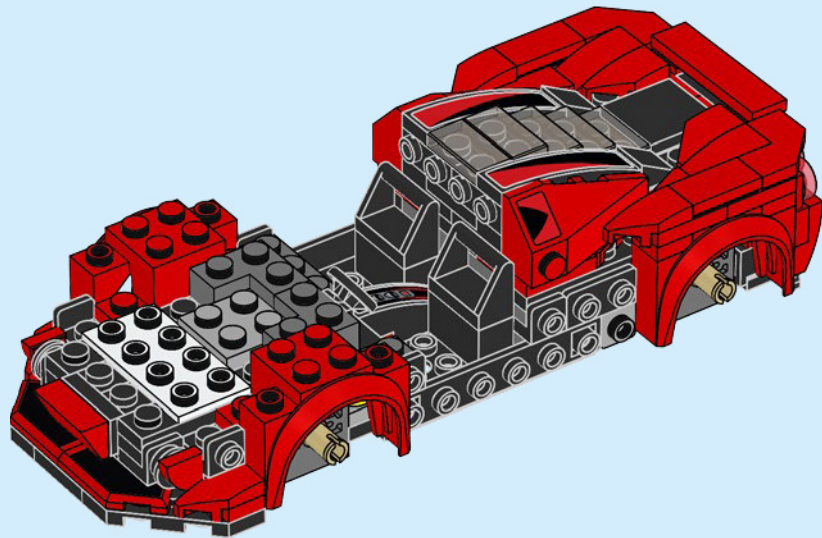
61





2x

62



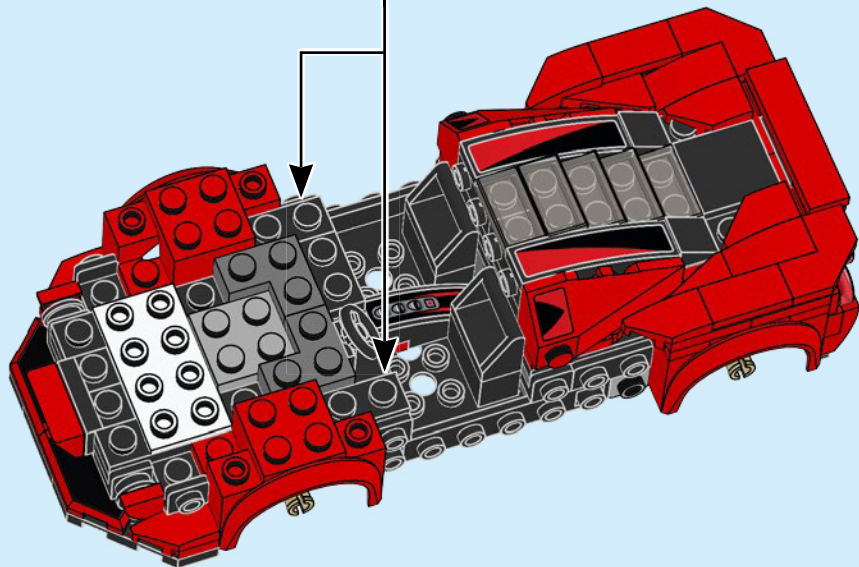


3x

63



3x





2x



2x



2x

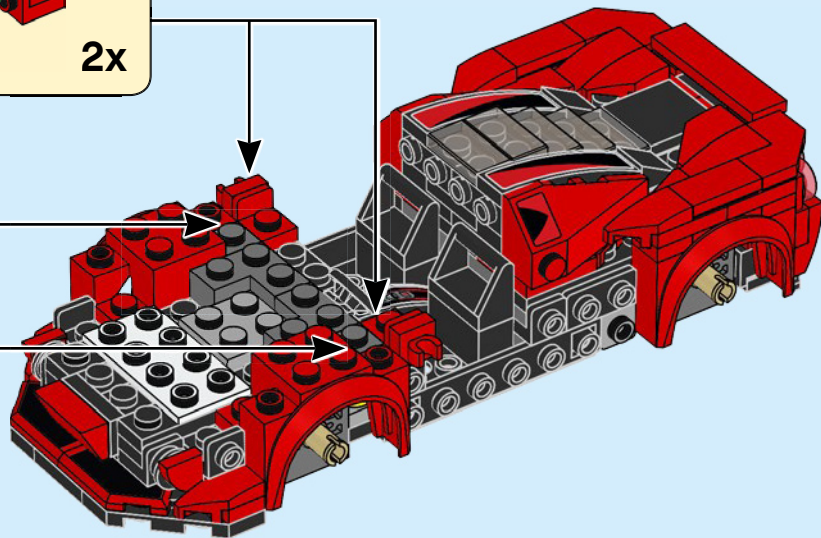
64



2x



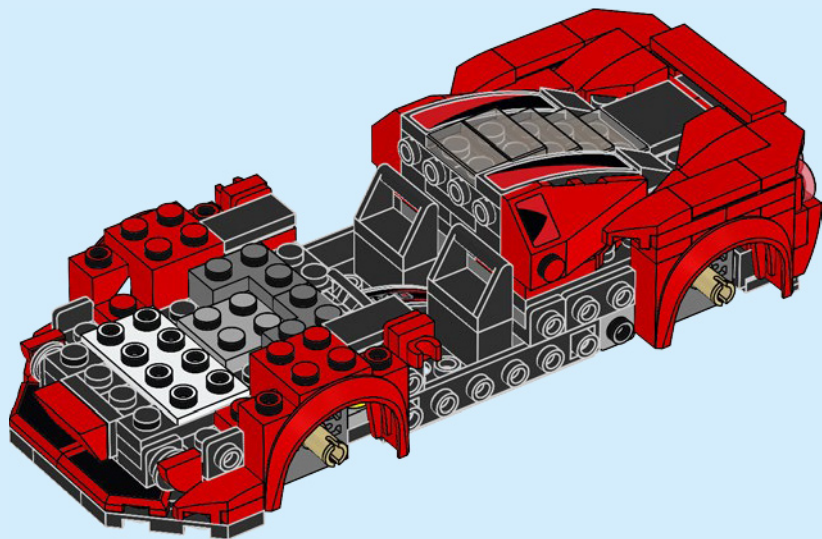
2x





2x

65





2x

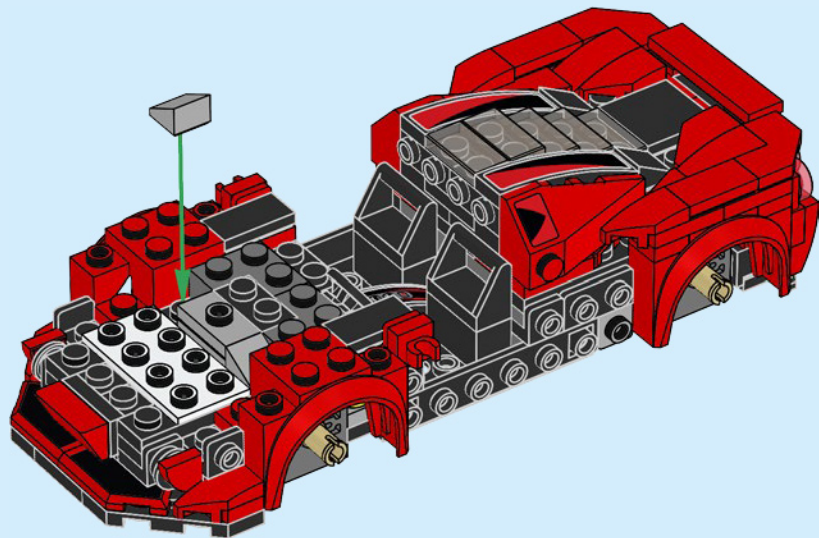


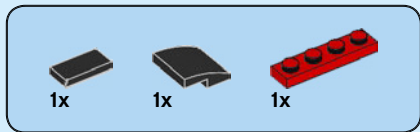
1x



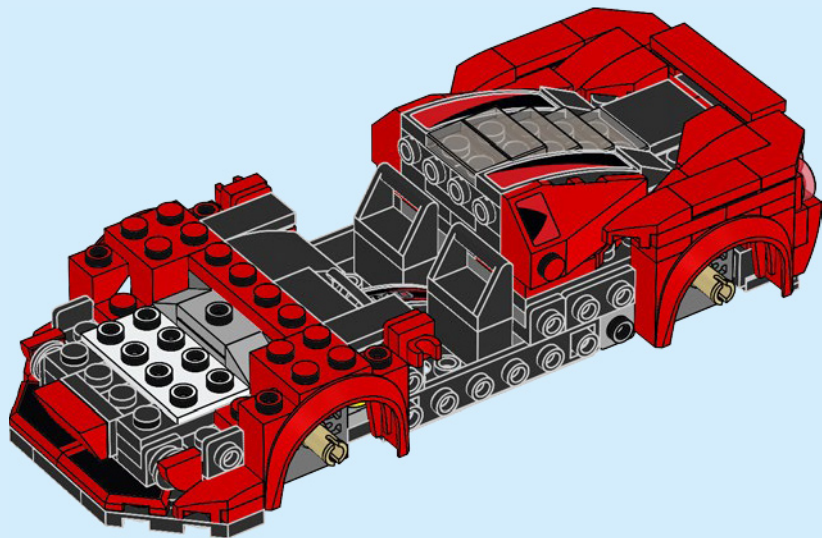
1x

66





67





2x

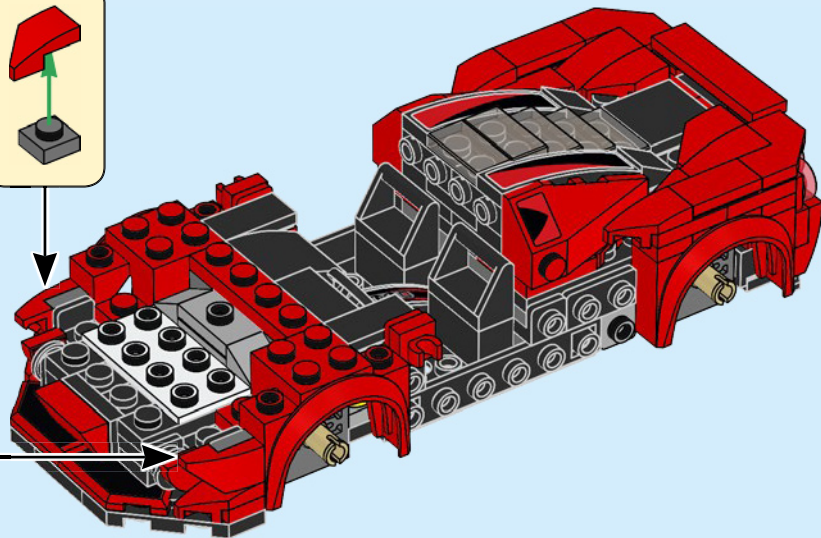
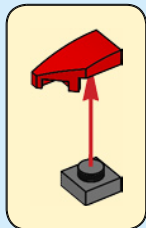
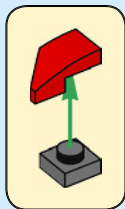


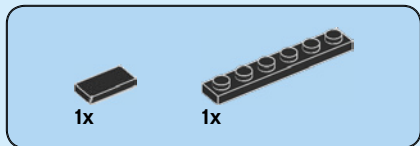
1x



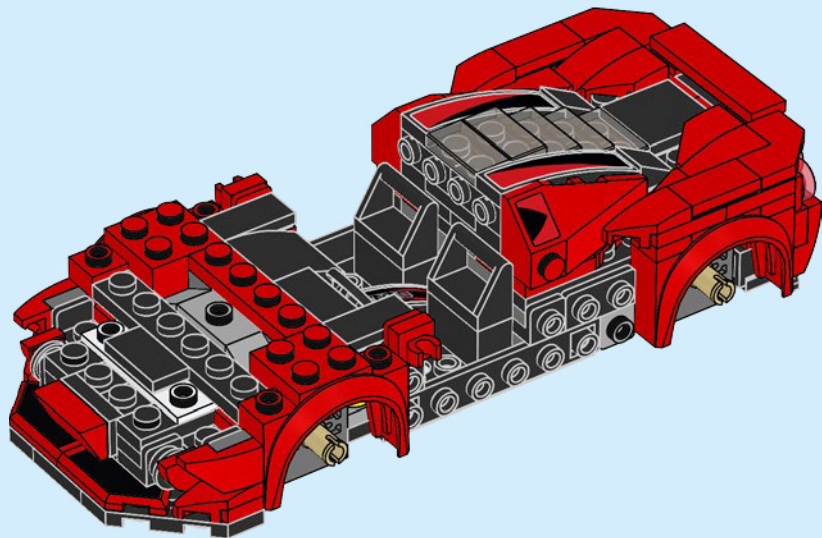
1x

68





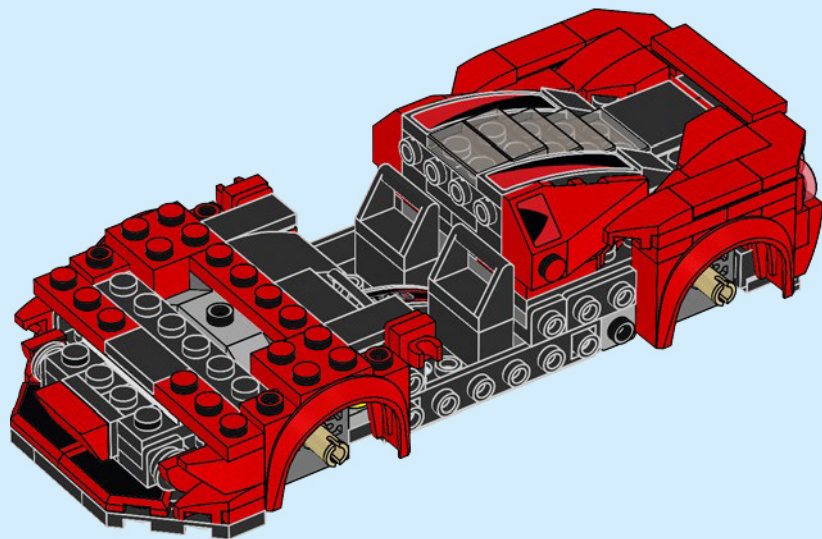
69





2x

70





2x

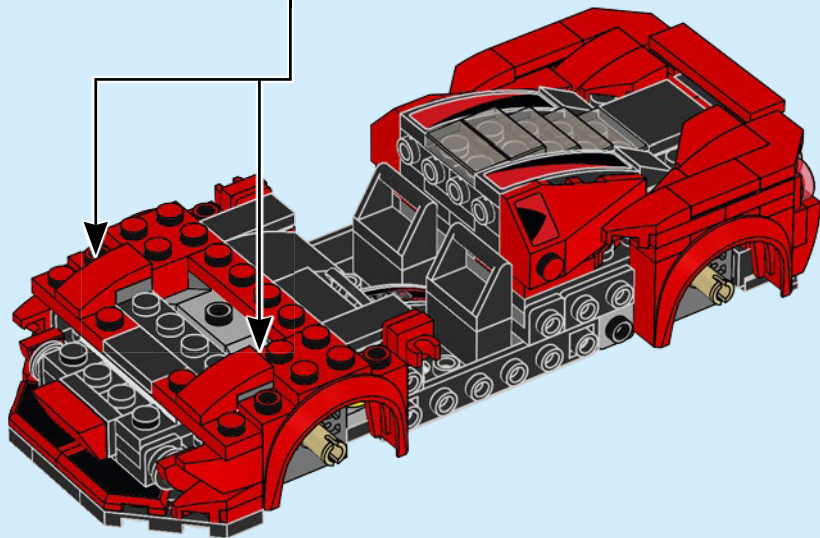


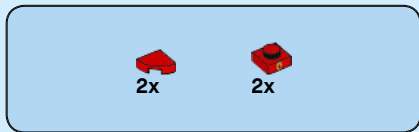
2x



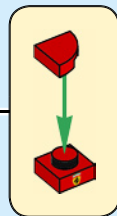
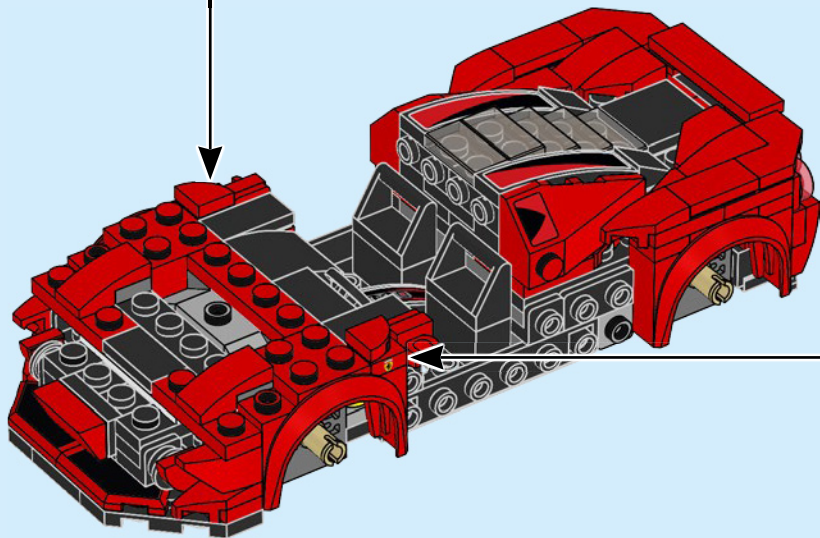
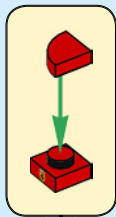
2x

71





72



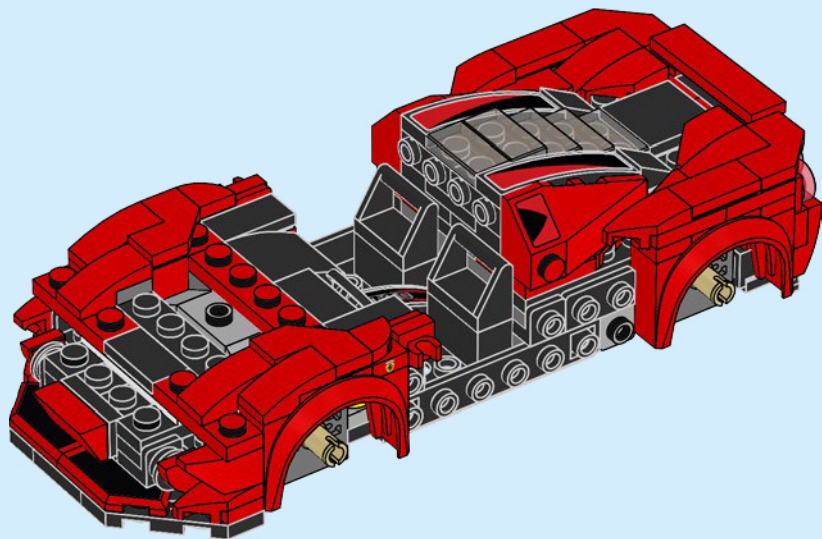


2x



2x

73





1x

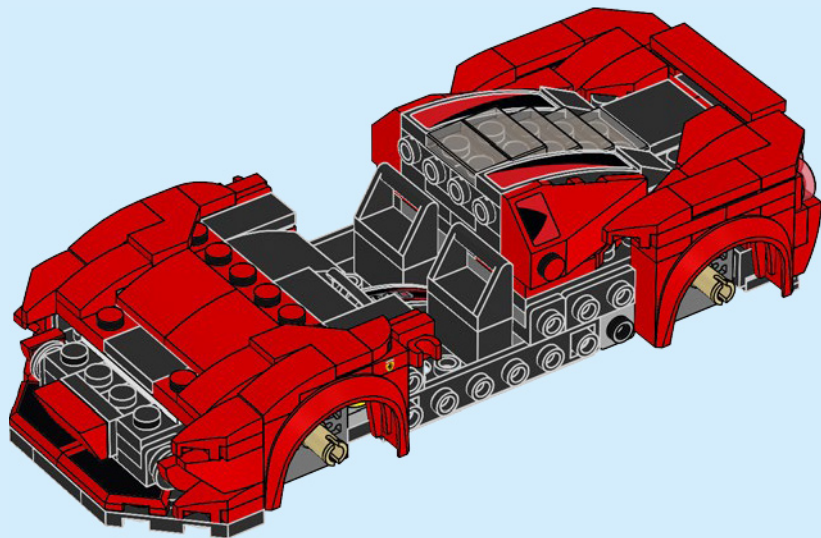


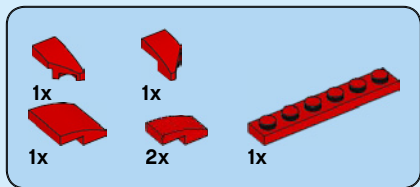
1x



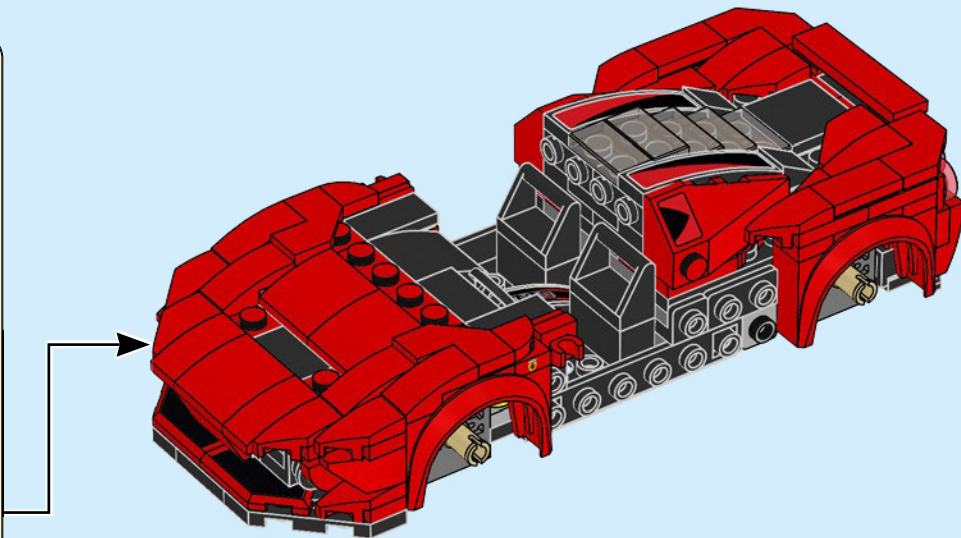
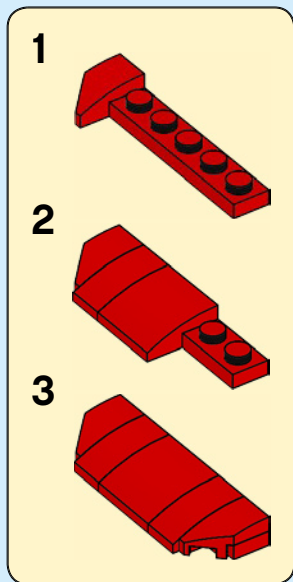
2x

74

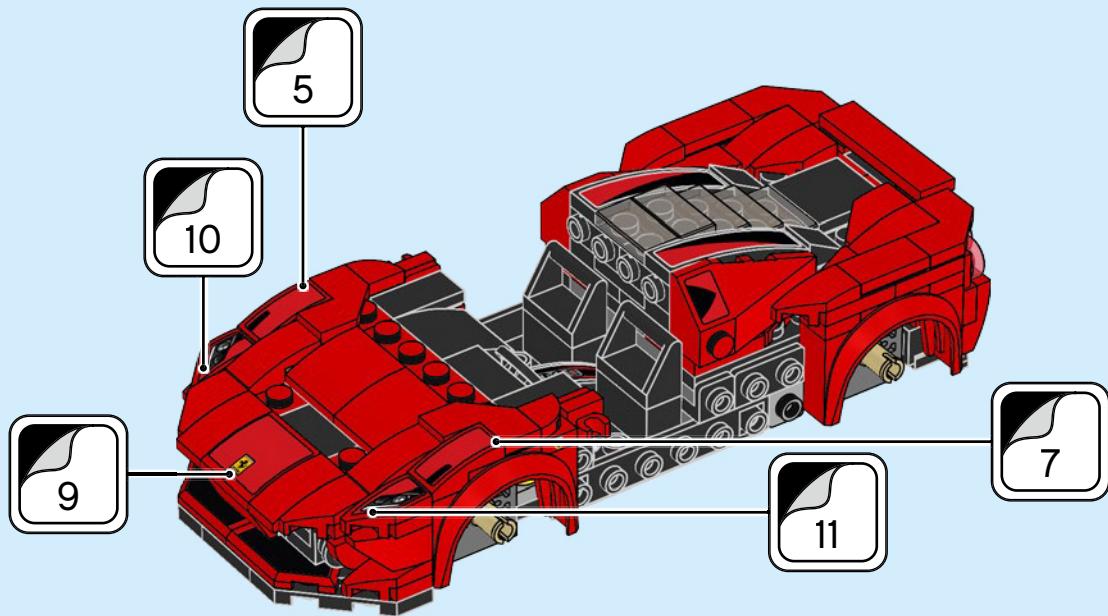


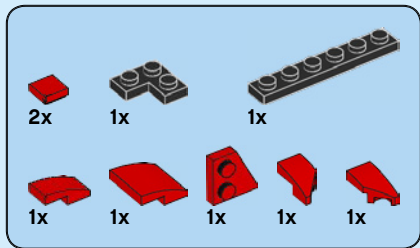


75



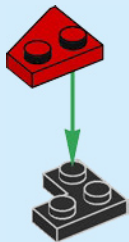
76



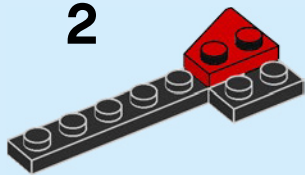


77

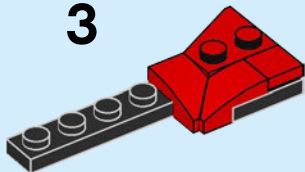
1



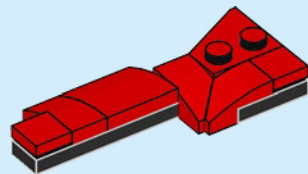
2



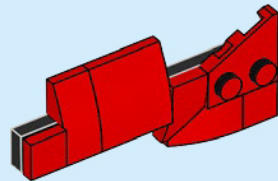
3

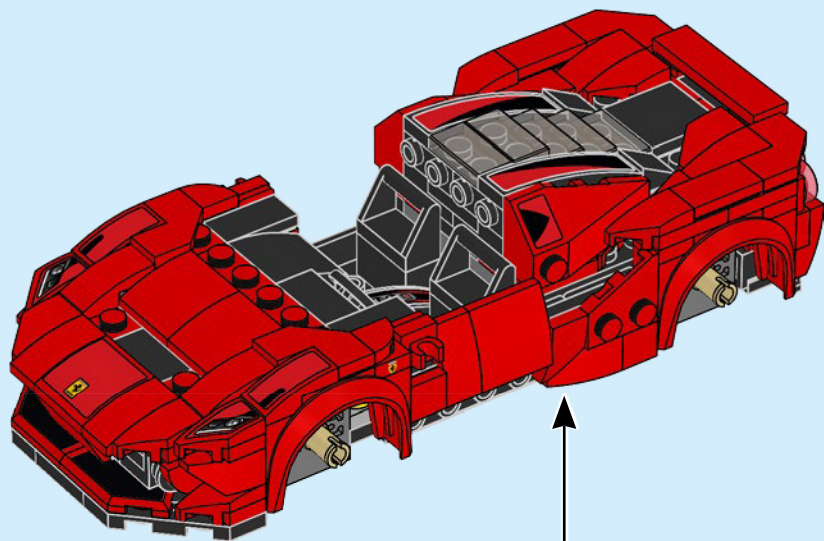


4



5

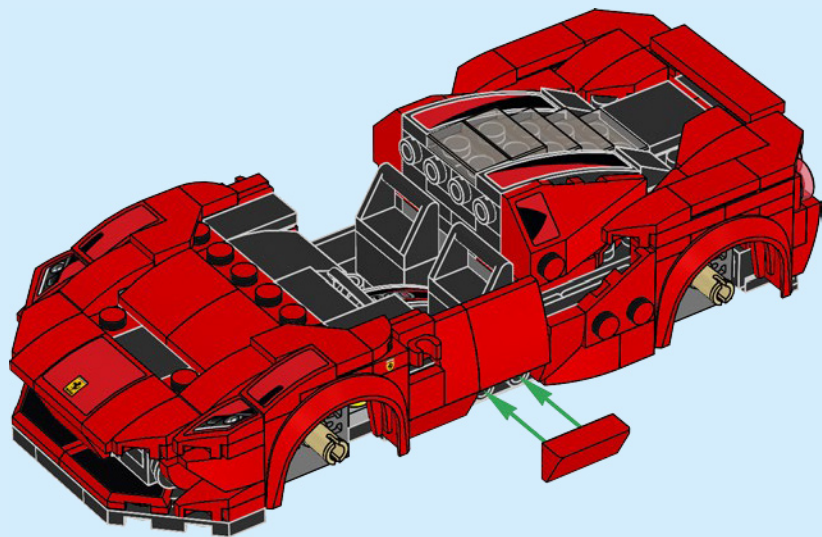


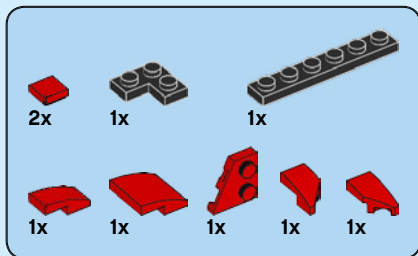




2x

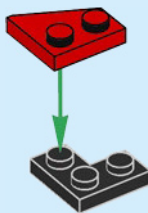
78



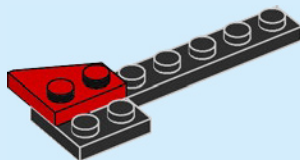


79

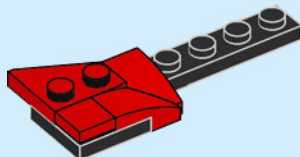
1



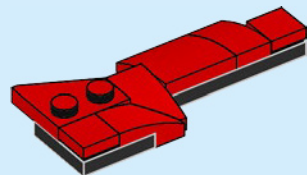
2



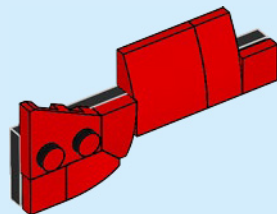
3

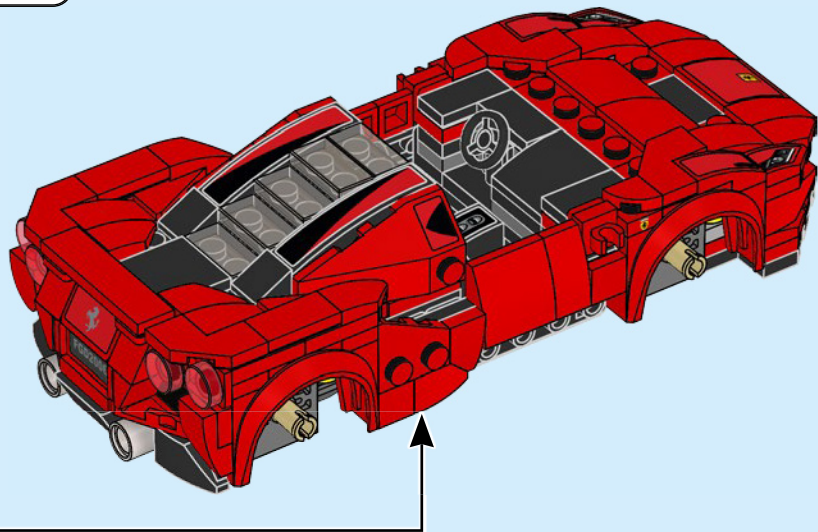
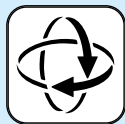


4



5

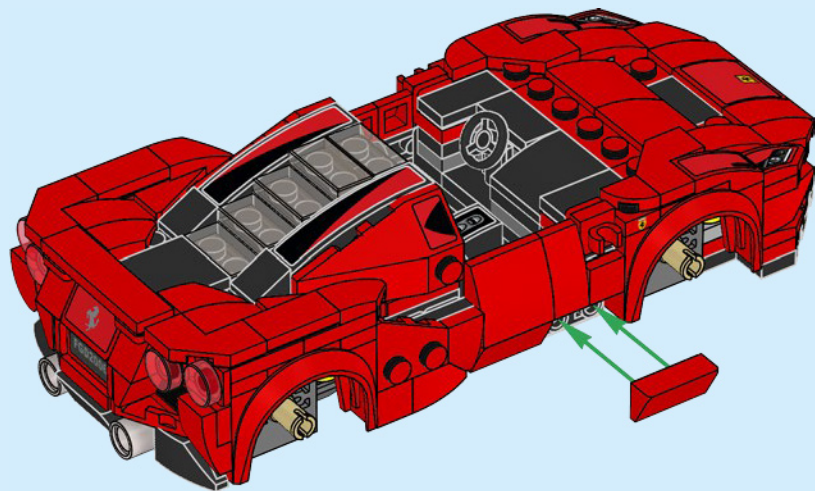






2x

80



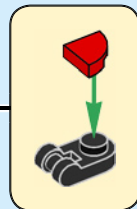
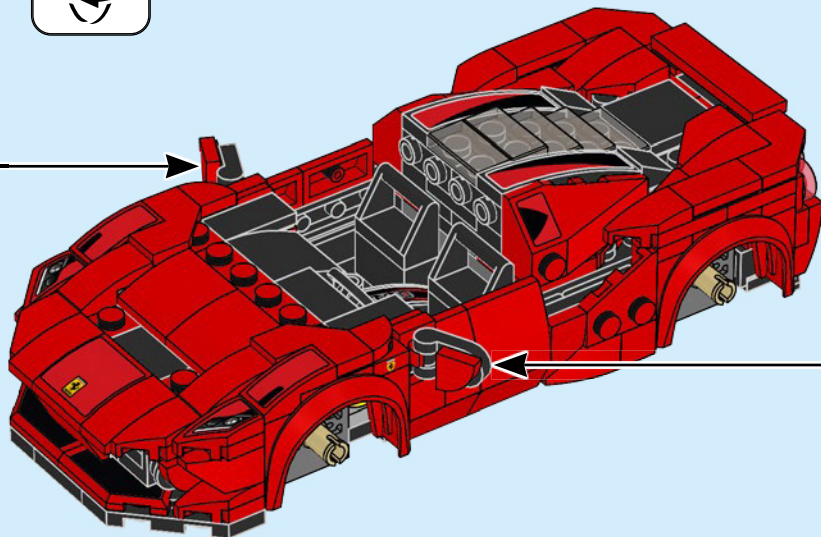
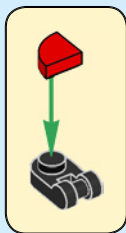


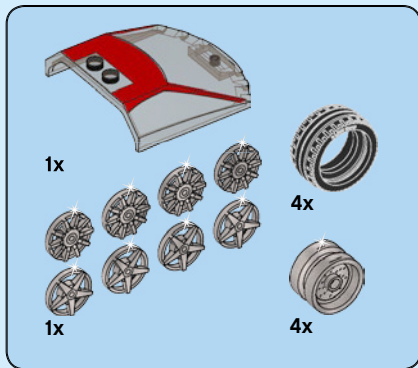
2x



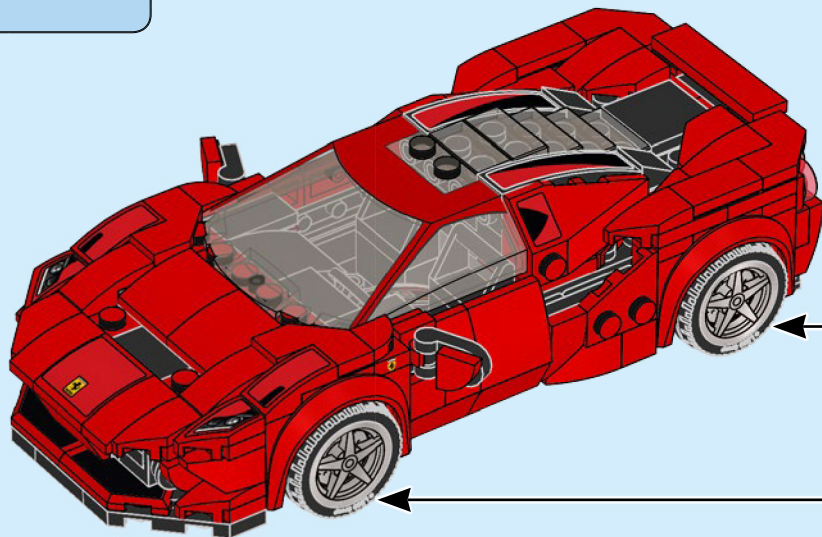
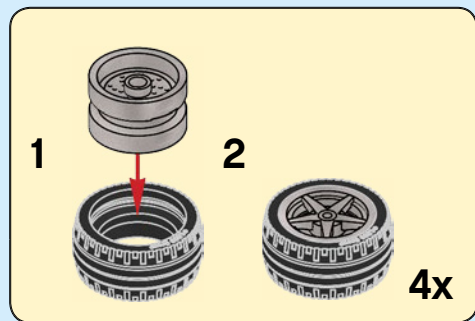
2x

81



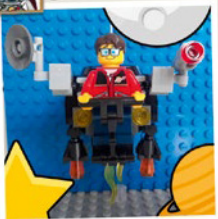


82





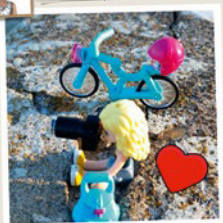
ManagerExcellentCrocodile



KingYummyCheeiah



PrincessBossyRooster



LEGO.com/apps





Produced under license of Ferrari S.p.A. The name FERRARI, the PRANCING HORSE device, all associated logos and distinctive designs are property of Ferrari S.p.A. The body designs of the Ferrari cars are protected as Ferrari S.p.A. property under design, trademark and trade dress regulations.

Nissan Motor Co., Ltd trademarks, designs, copyrights and/or other intellectual property rights are used under license.

The "Lamborghini" and "Lamborghini Bull and Shield" trademarks, copyrights, designs and models are used under license from Automobili Lamborghini S.p.A, Italy.

Manufactured under license from McLaren Automotive limited. The McLaren name and logo are registered trademarks of McLaren. Senna is the registered trademark of Ayrton Senna Empreendimentos Ltda.

Jaguar and the leaper device are trademarks owned and licensed by Jaguar Land Rover Limited.

Microsoft, Forza Horizon, and the Forza Motorsport Logo are trademarks of the Microsoft group of companies.

The MINI logo and the MINI wordmark are trademarks of BMW AG and are used under license. Austin and Morris are the trademarks of MG Motor UK Ltd, licensed by British Motor Heritage Ltd.

Under license of Porsche AG.

Officially Licensed by AUDI AG.

Drive in/Conduire dans/Condúcelo en

 **FORZA**
HORIZON 4

*Requires Xbox Forza Horizon 4 game and Forza Horizon 4 LEGO® Speed Champions expansion, both sold separately.

Parent must have valid Microsoft Account
*Nécessite le jeu Xbox Forza Horizon 4 et l'extension Forza Horizon 4 LEGO® Speed Champions, tous deux vendus séparément.

Les parents doivent avoir un compte Microsoft valide.
* Requiere el juego Forza Horizon 4 para Xbox y la expansión LEGO® Speed Champions para Forza Horizon 4, ambos de venta por separado. El adulto debe tener una cuenta Microsoft válida.


2x
614126


2x
4504382


1x
6181720


8x
407026


8x
6234695


1x
4298619


1x
6213798


2x
6157554


1x
6181713


1x
4548180


4x
306926


2x
243226


2x
300426


12x
302326


1x
73081


2x
6020193


1x
306826


1x
6053077


2x
242026


8x
6052126


1x
4251161


1x
400626


4x
6102596


1x
302126


2x
4599499


2x
371026


2x
6037746


2x
4227684


3x
302026


7x
4210719


2x
4211109


3x
4211133



2x
4211085



1x
4294180



6x
366626



1x
663626



1x
6287679



2x
4521921

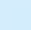

2x
6248078

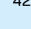

3x
6066097


2x
4654582


4x
4211353


3x
6093054


2x
4211056


2x
6287680


4x
4666579


2x
6024495


8x
614124


1x
6224208


1x
302024


1x
6294355


1x
6244787


1x
6158058


3x
371023


1x
4162916


4x
6258607


2x
6253610


4x
4504379


4x
307021


3x
302421


9x
6177505


2x
6223427


6x
6170390


2x
6072998


6x
6249907


4x
6141552


4x
6141553


9x
6177507


6x
4651524


3x
302321


3x
306921


10x
6029946


5x
6219819


5x
6105976


2x
242021


4x
6217194


2x
6291048


2x
362321


2x
6168619


1x
243121

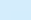

1x
371021

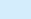

1x
6293750


4x
6102586


1x
6293751


2x
6294049


1x
366621


1x
346021



1x
6289404


4x
6290261


5x
6251292


2x
6161155


1x
6252789


Customer Service
Kundenservice
Service Consommateurs
Servicio Al Consumidor

LEGO.com/service or dial



WIN

GO TO WWW.LEGO.COM/PRODUCTFEEDBACK AND
GIVE US YOUR SHORT **FEEDBACK** ABOUT THIS
LEGO® SET FOR A CHANCE TO WIN
A COOL LEGO PRIZE.

Terms & Conditions apply



LEGO.com/productfeedback

GEWINNE

Erzähle uns auf
www.LEGO.com/productfeedback

etwas über die Erfahrungen, die du mit
diesem LEGO® Set gemacht hast, und
sichere dir die Chance auf einen coolen
LEGO Preis!

Es gelten die Teilnahmebedingungen

GAGNE

Rends-toi sur
www.LEGO.com/productfeedback

et donne-nous quelques commentaires sur
ce produit LEGO® pour avoir une chance
de gagner un prix LEGO !

Voir Conditions Générales

GANAN

Visita
www.LEGO.com/productfeedback

y envíanos tu opinión acerca de este set
LEGO®. ¡Participarás en el sorteo de un
premio LEGO!

Términos y Condiciones aplicables

获取奖品

登录
www.LEGO.com/productfeedback

给出关于此乐高®套装的简短反馈，
就有机会获得炫酷乐高奖品

《条款及条件》适用

LEGO and the LEGO logo are trademarks of the/son des marques de commerce du/son marcas registradas de LEGO Group. ©2020 The LEGO Group.
Produced under license of Ferrari S.p.A. The name FERRARI, the PRANCING HORSE device, all associated logos and distinctive designs are property
of Ferrari S.p.A. The body designs of the Ferrari cars are protected as Ferrari S.p.A. property under design, trademark and trade dress regulations.

6309073