



RACERS

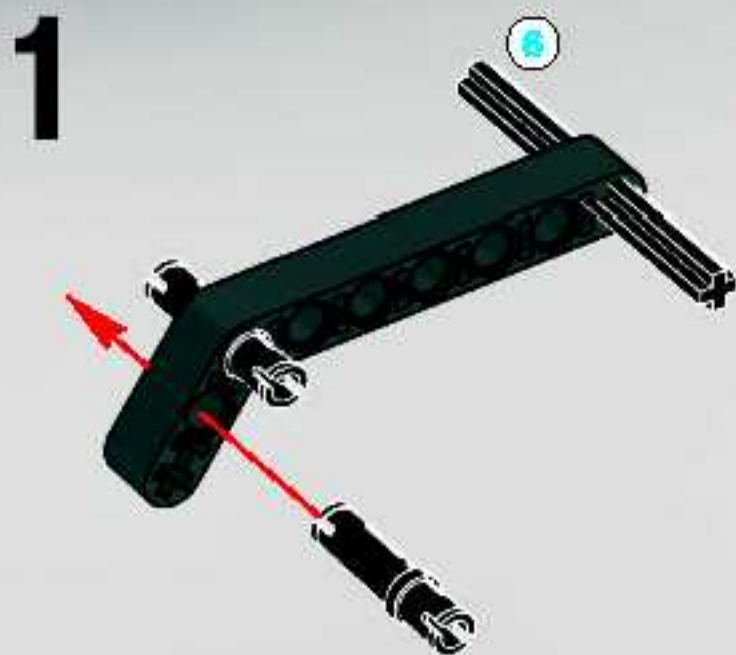


8141 + 8137

8141 + 8138



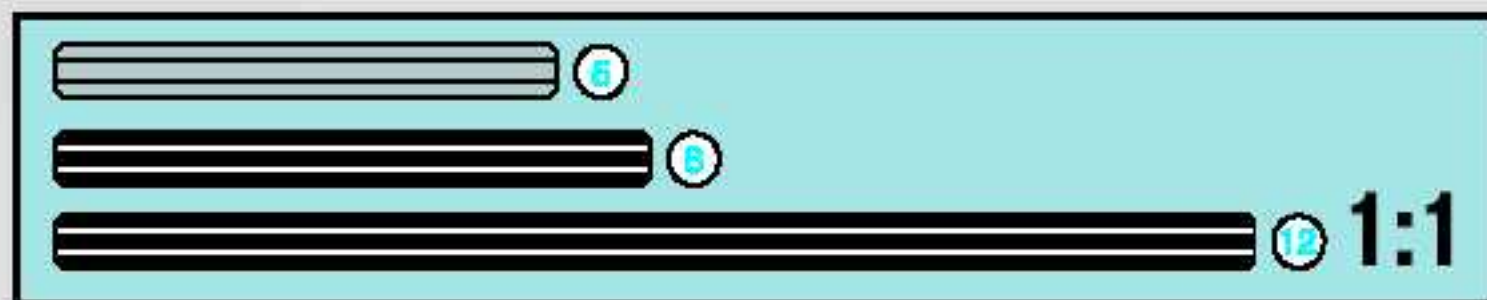
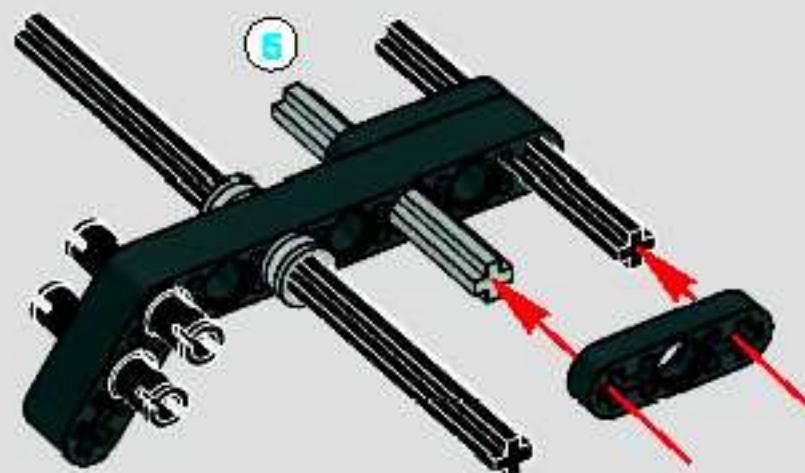
Combi 8141 + 8137

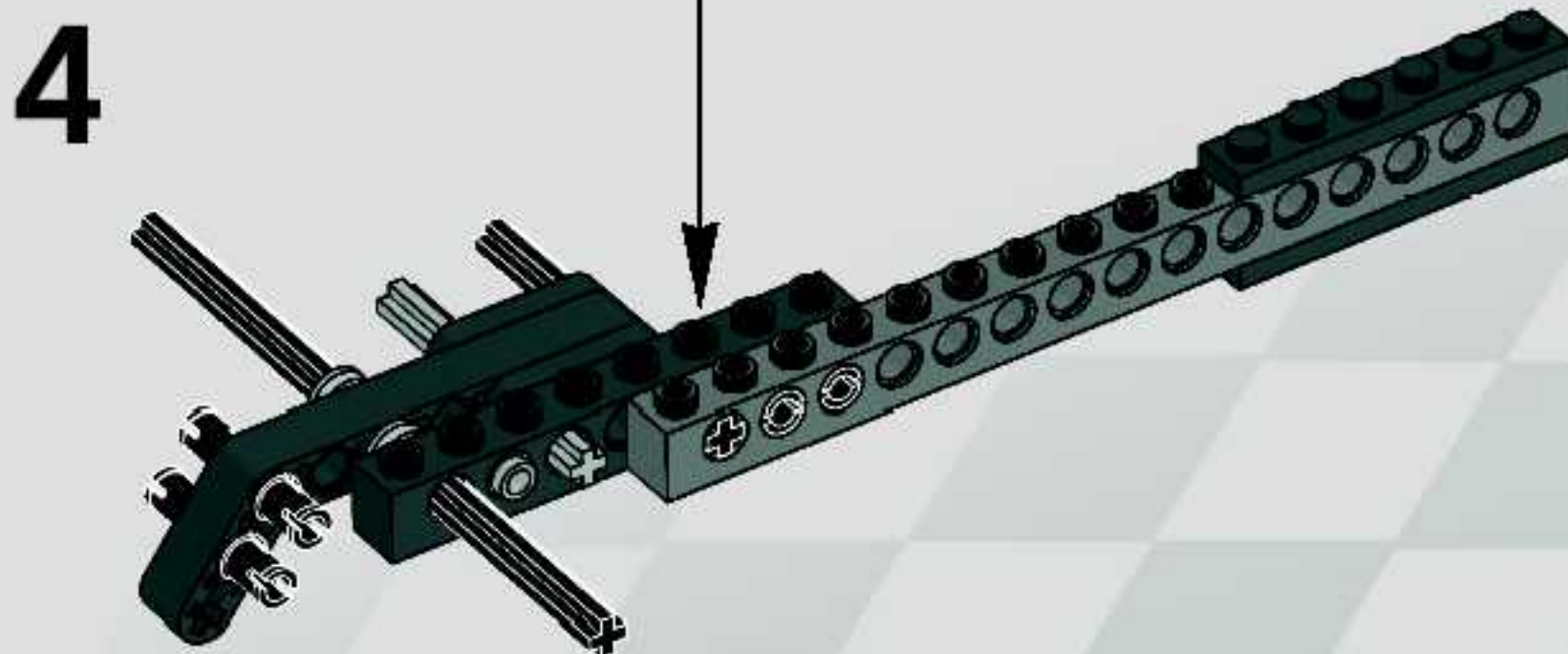
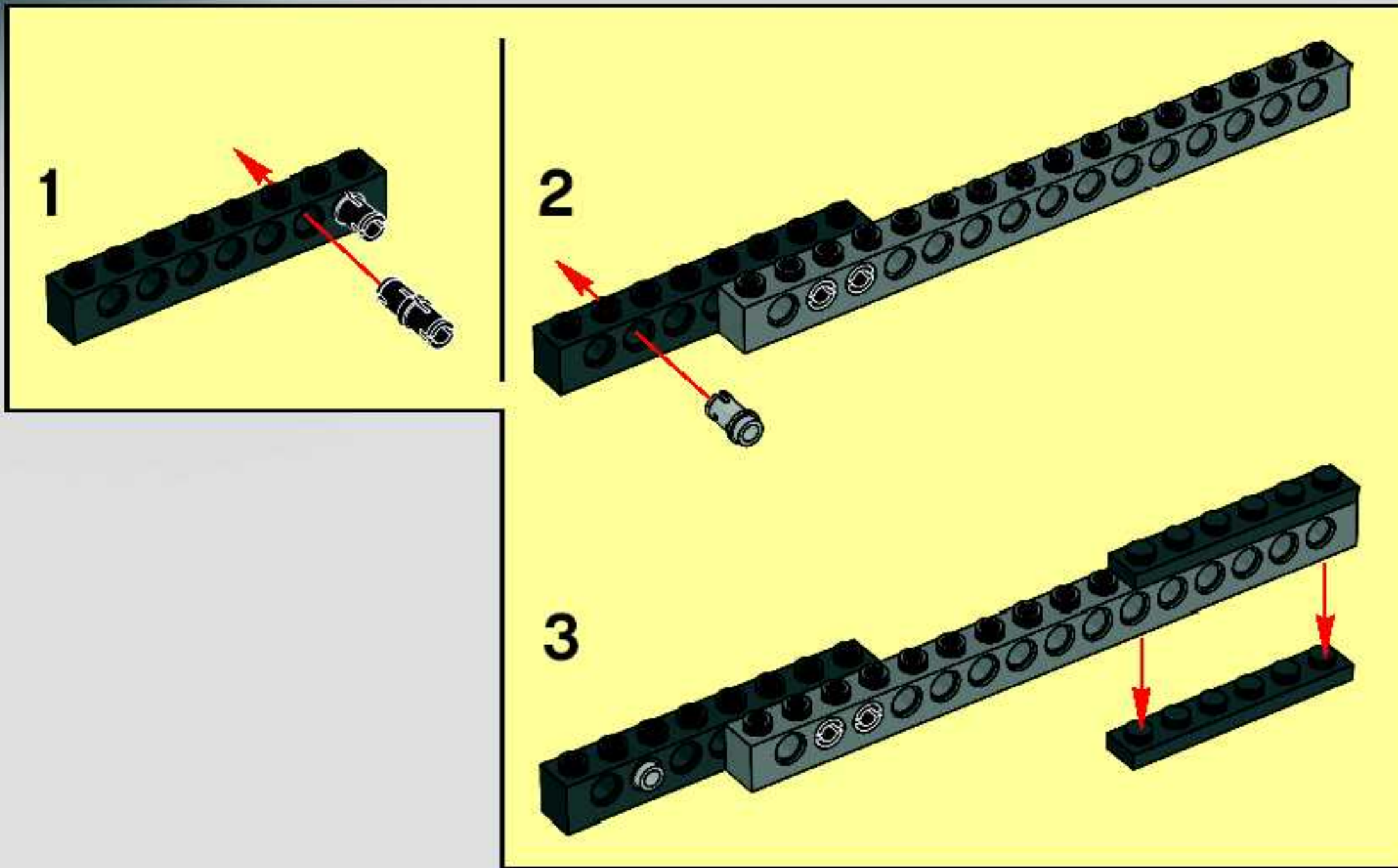


2

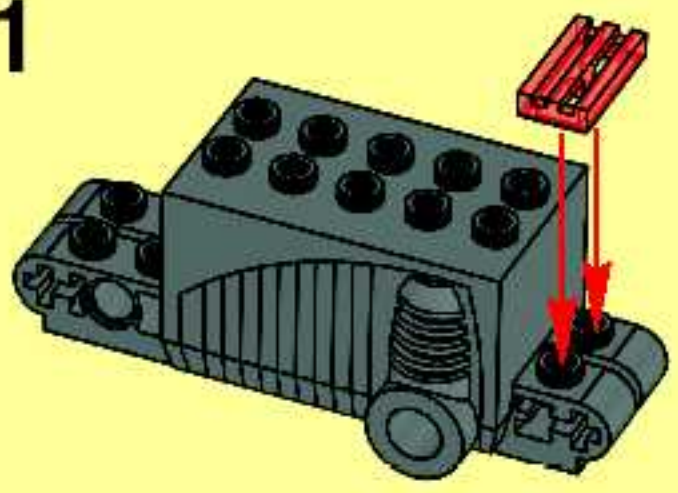


3

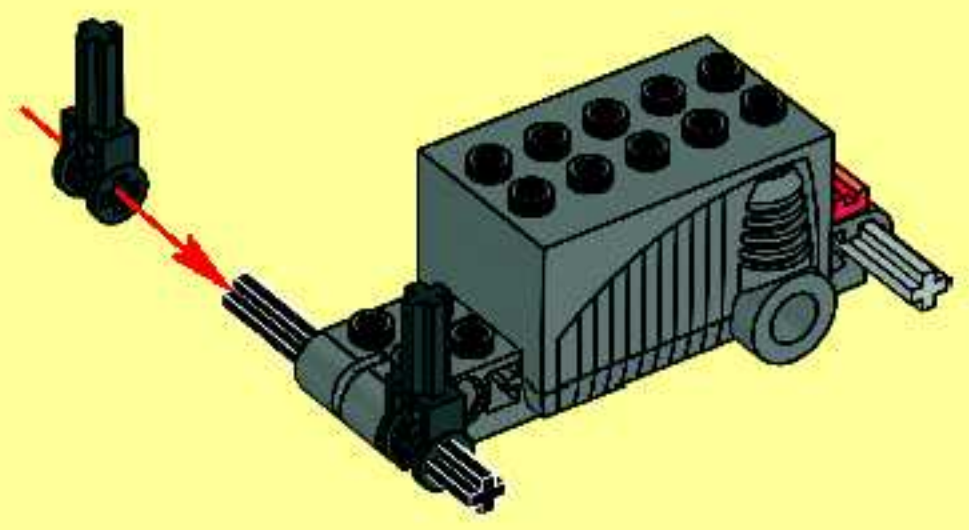




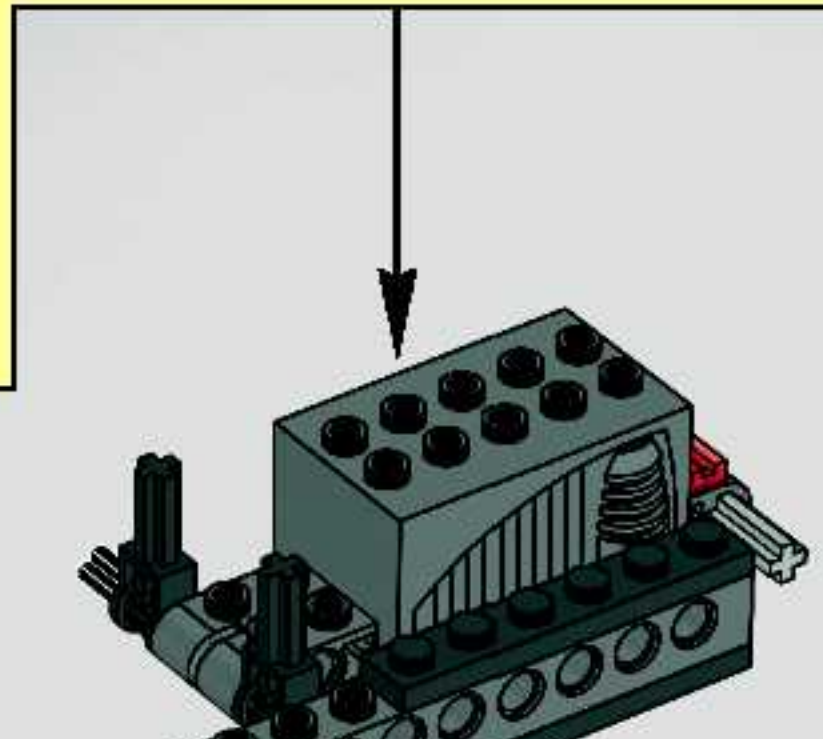
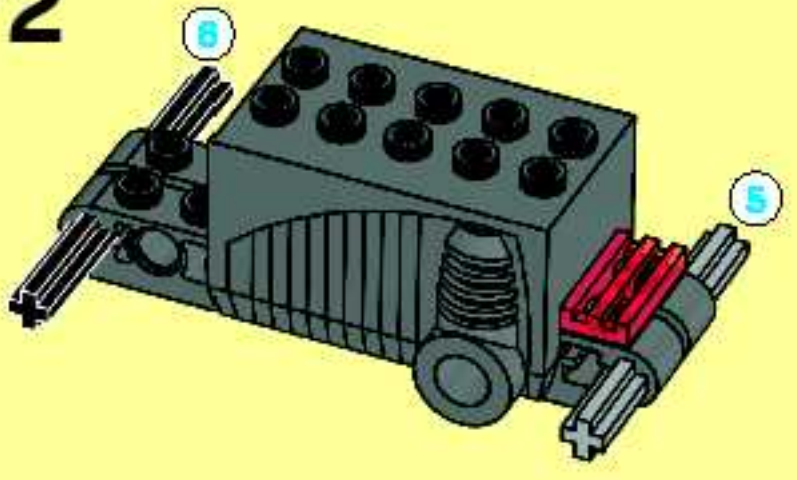
1



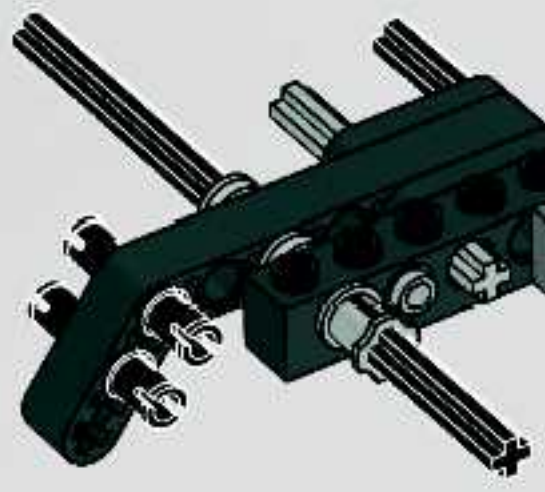
3

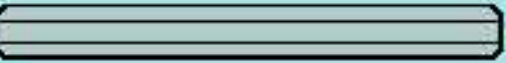
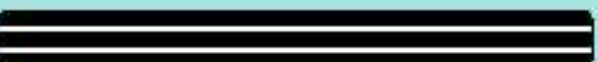


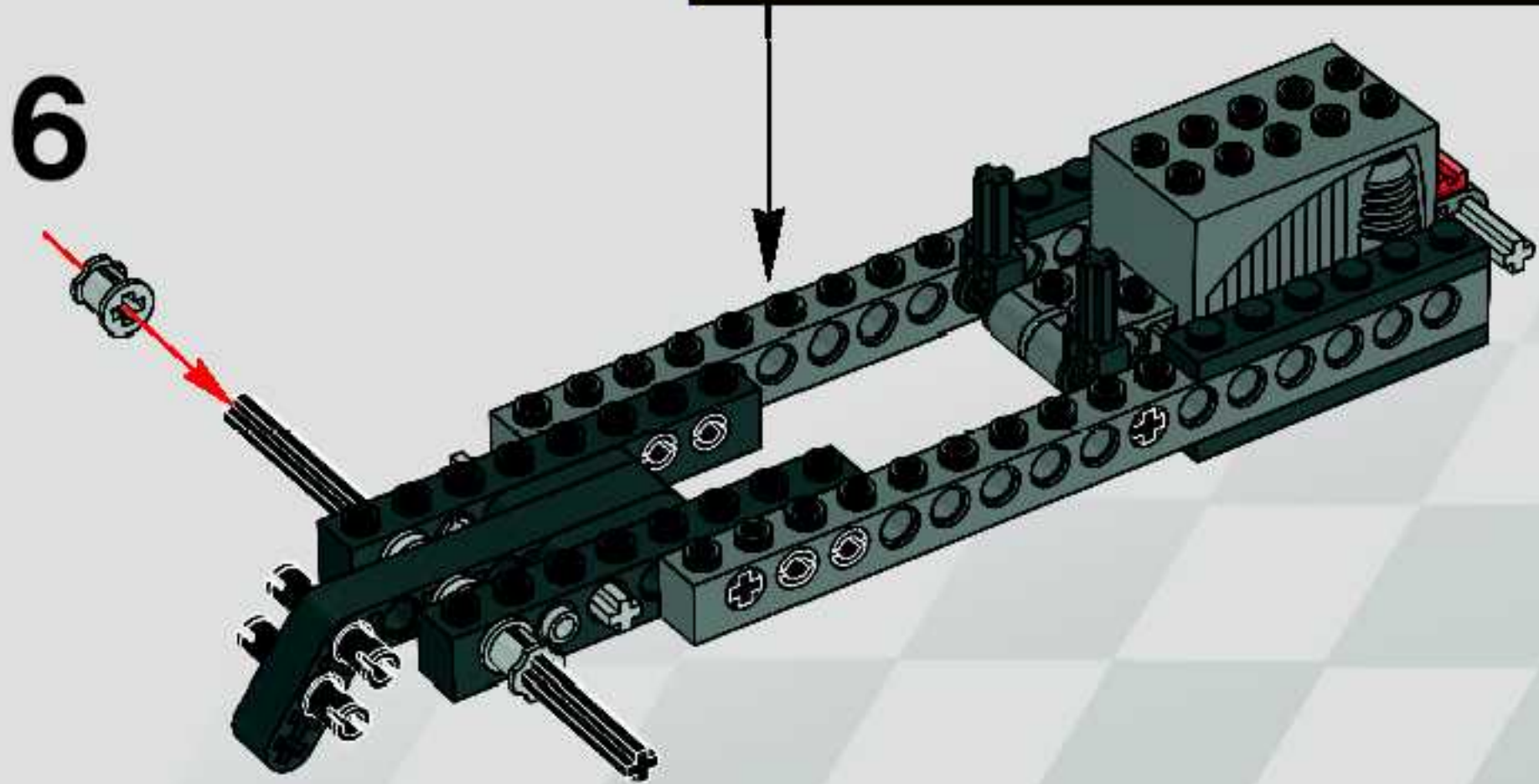
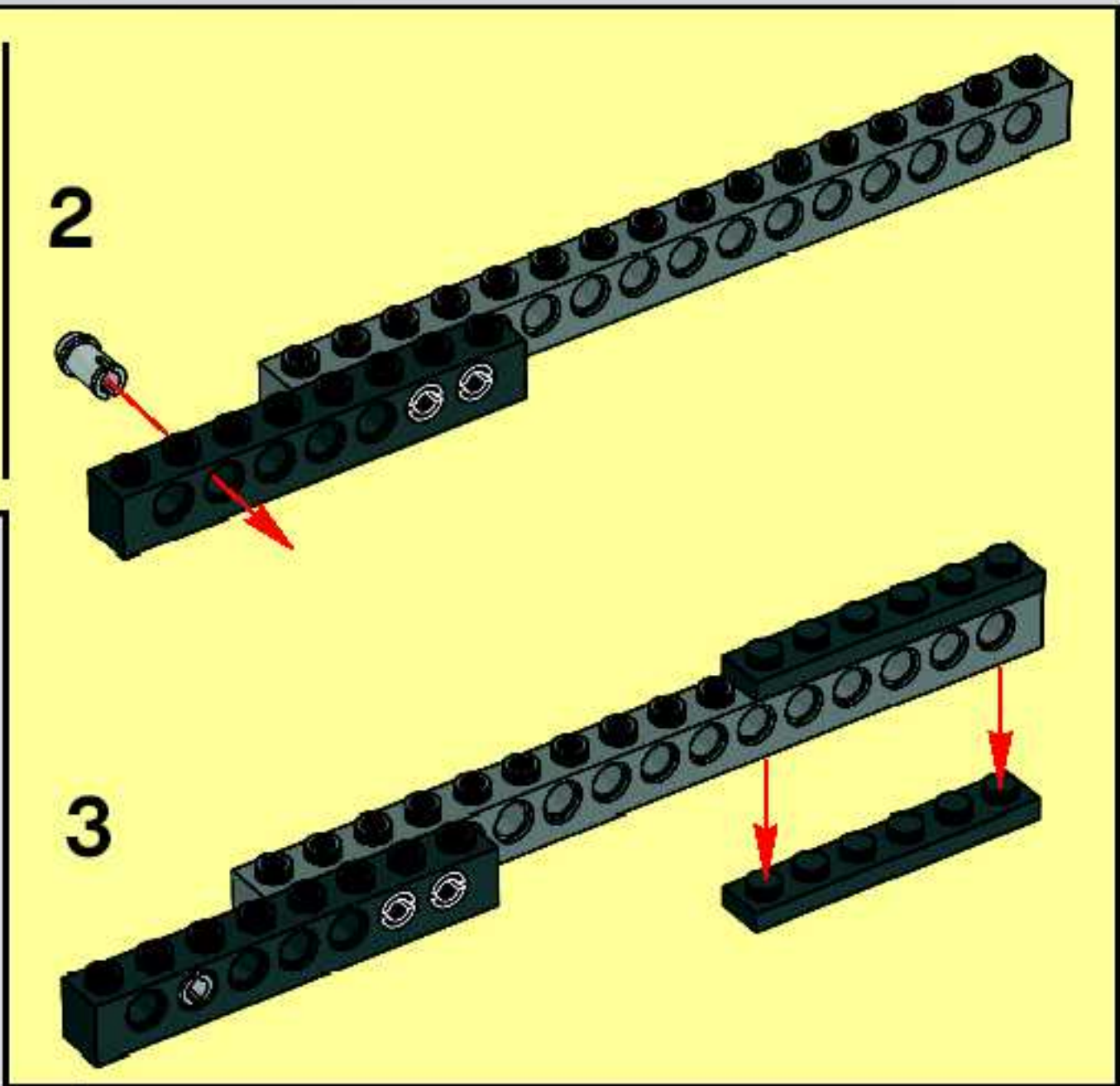
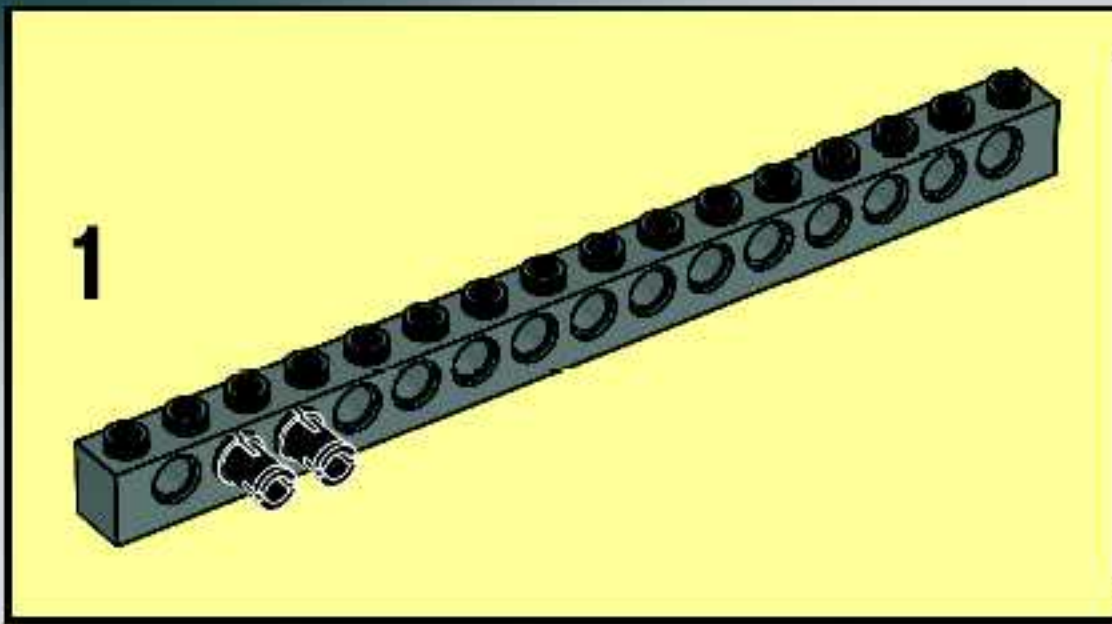
2



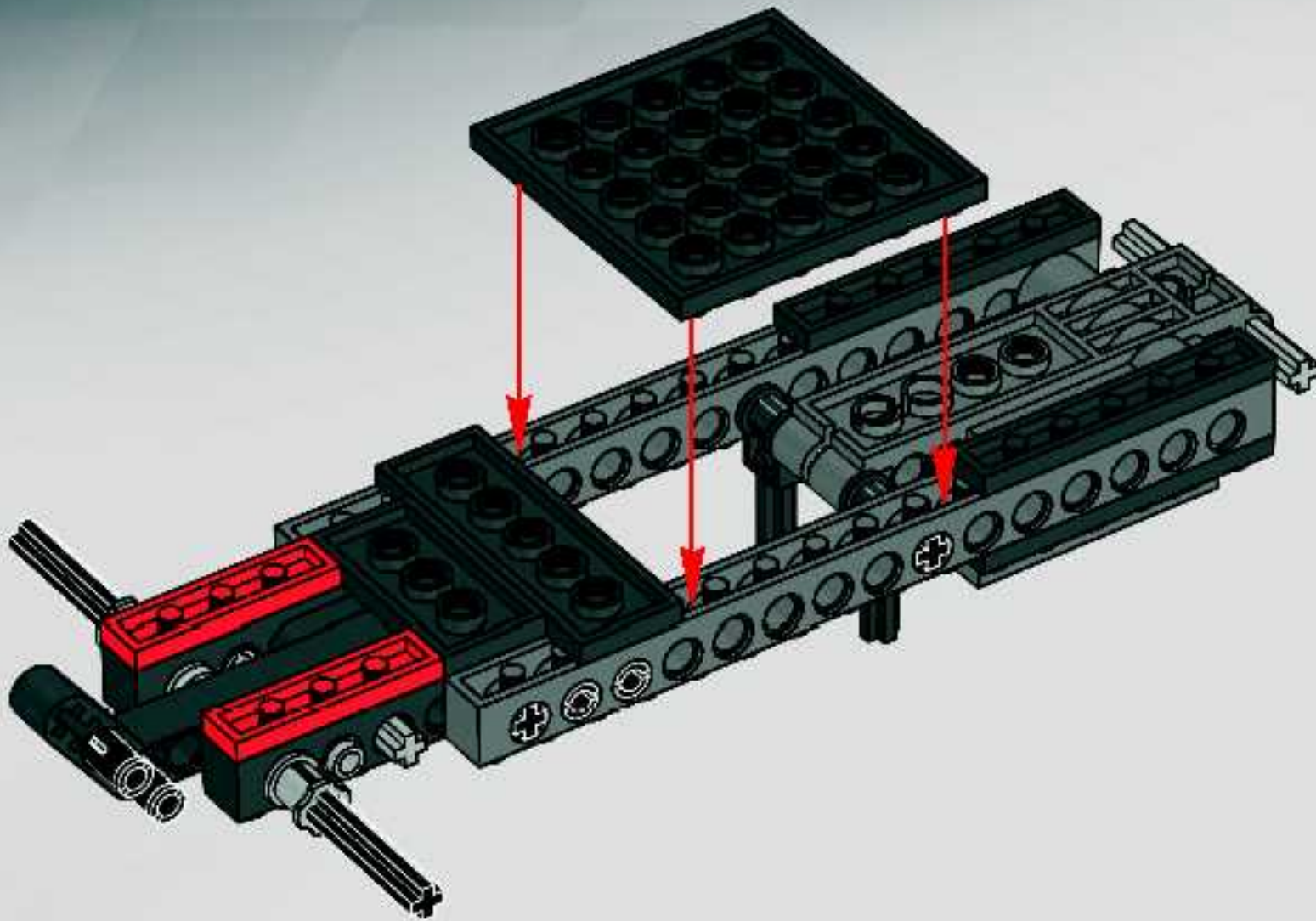
5

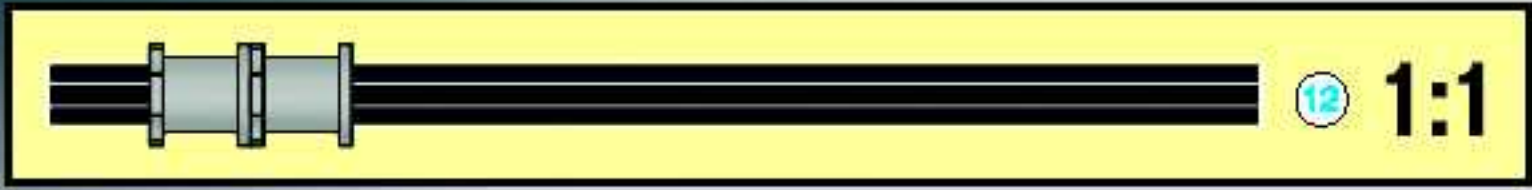


	5
	6 1:1

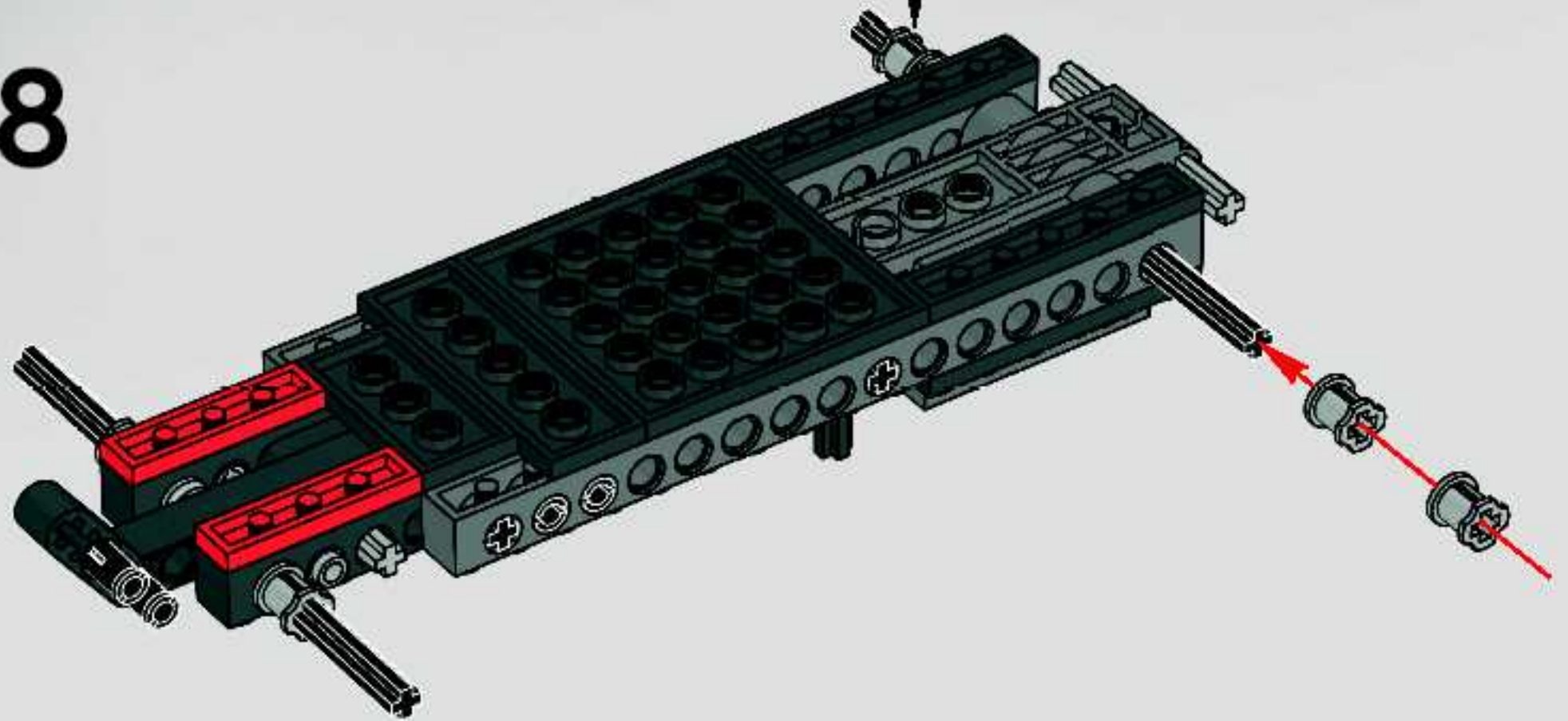


7

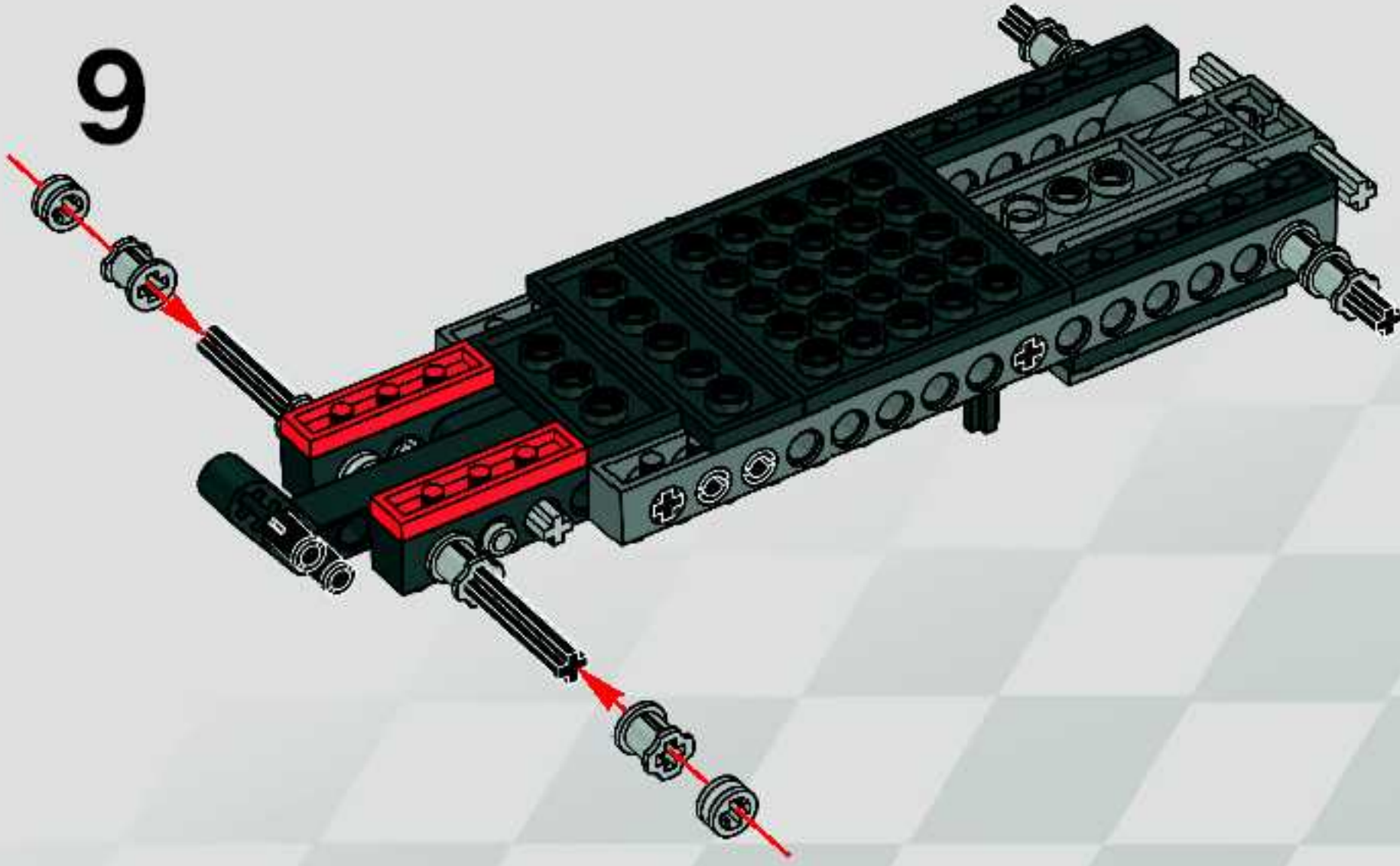




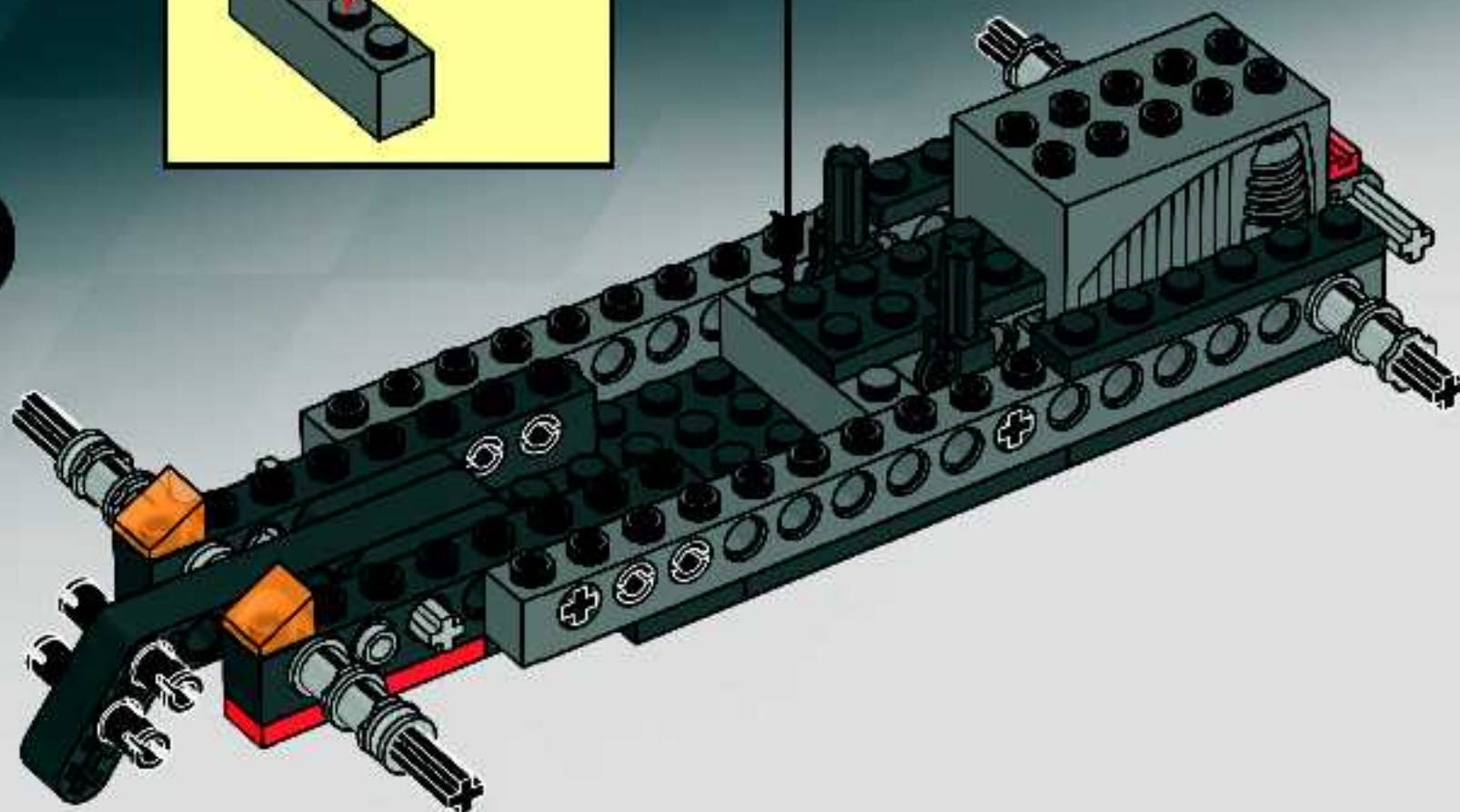
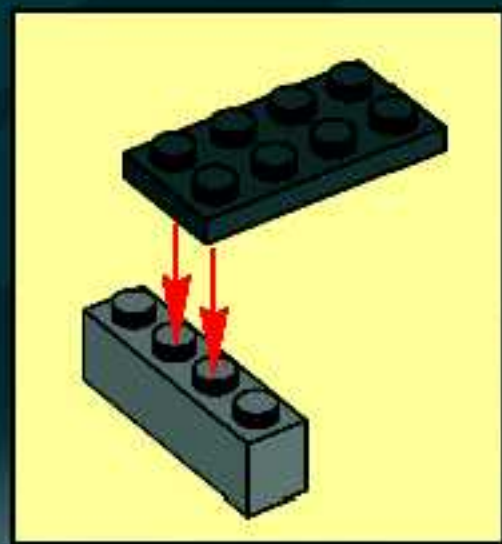
8



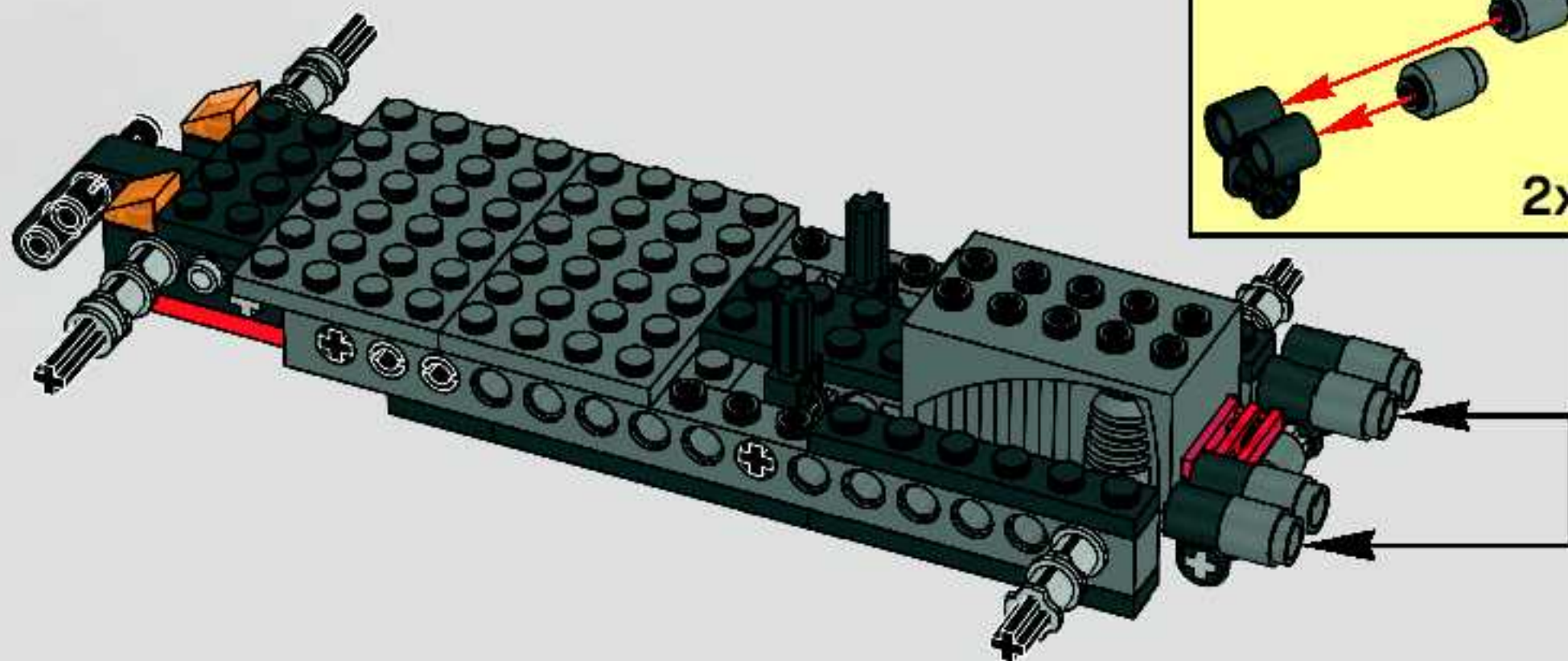
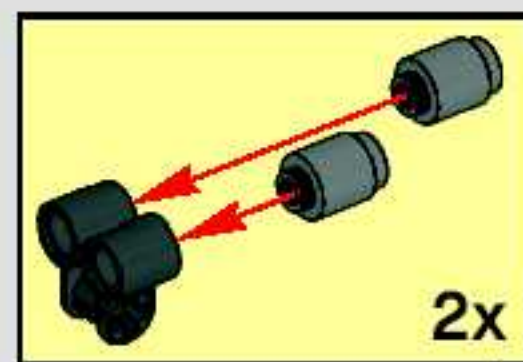
9



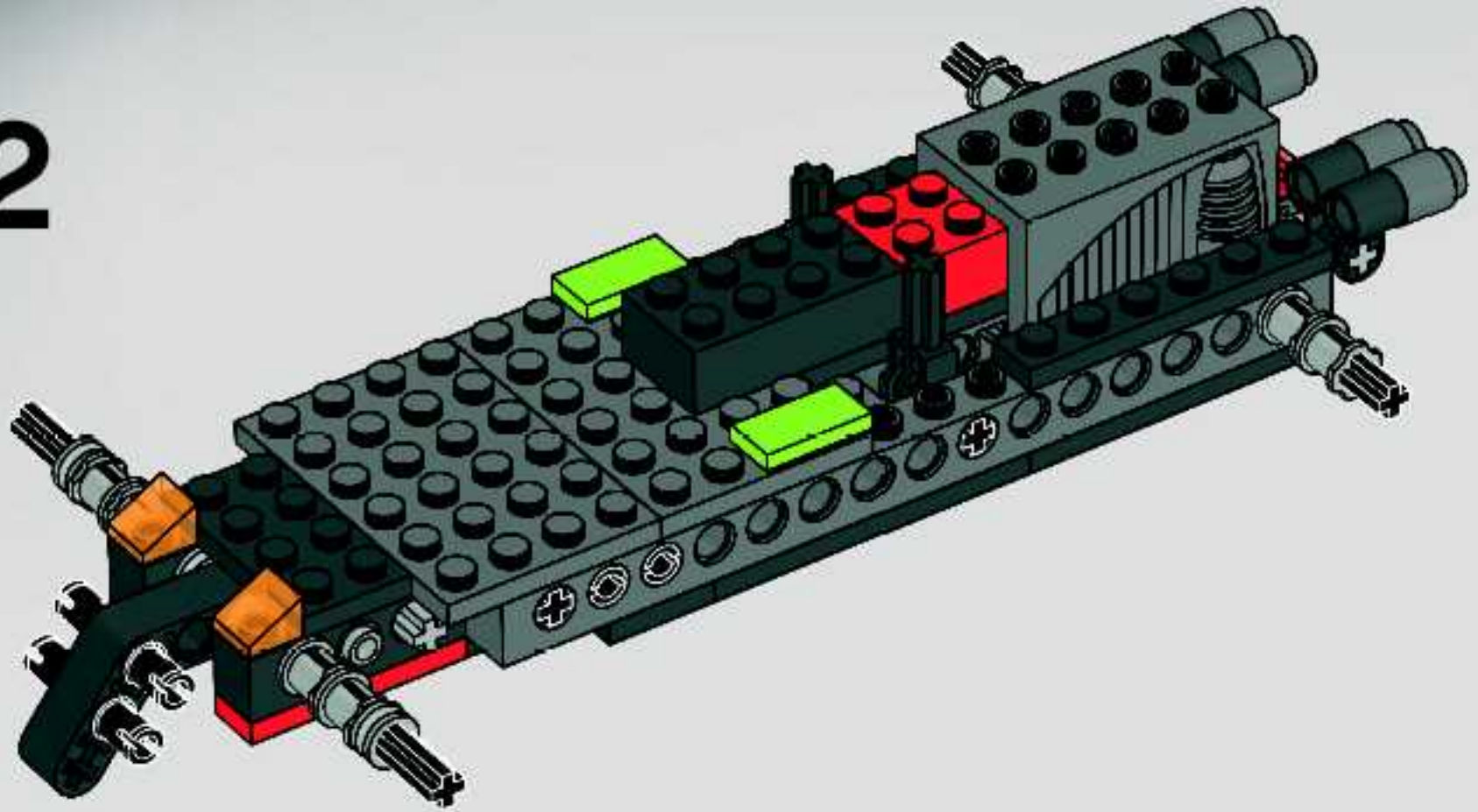
10



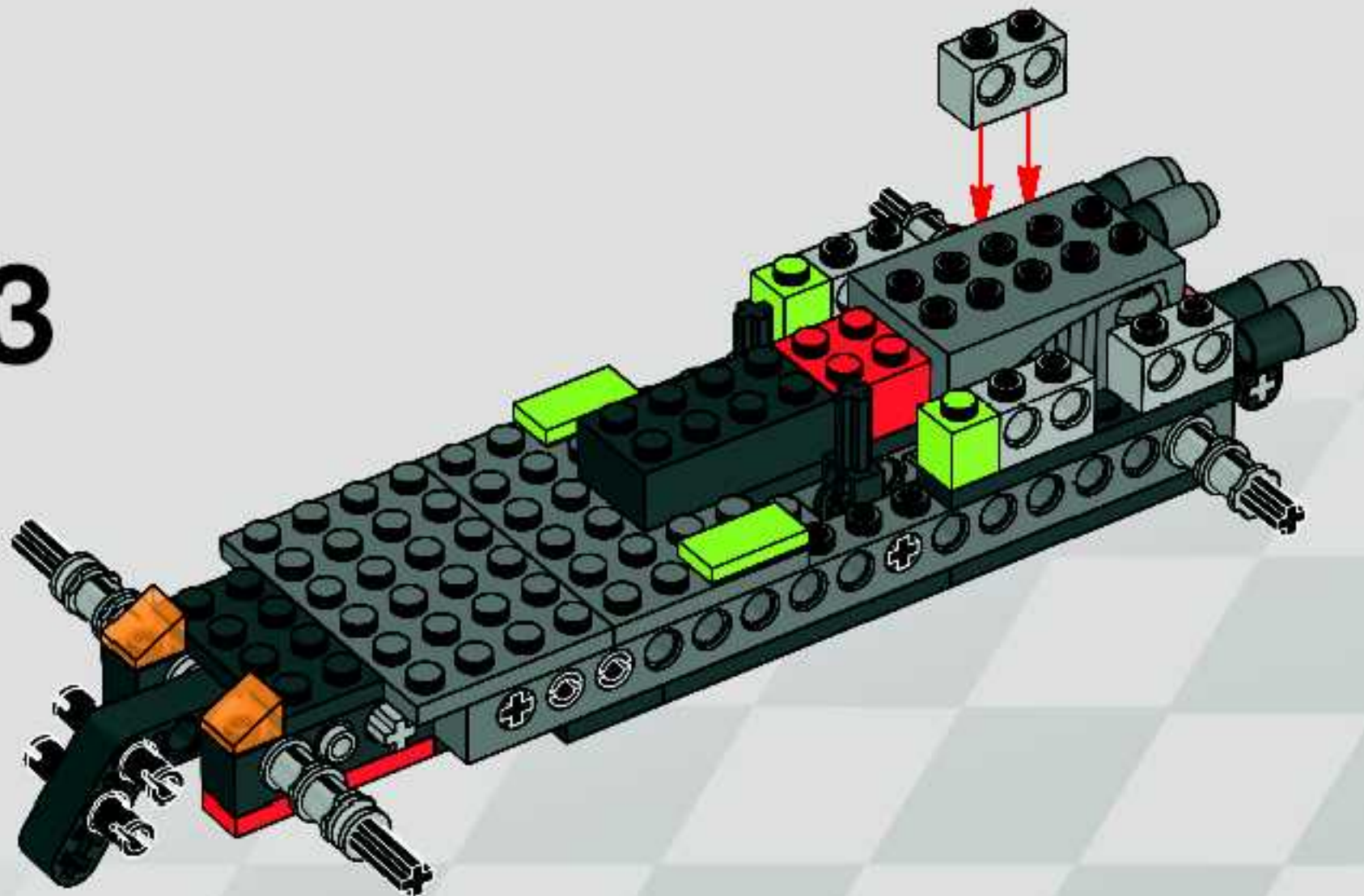
11



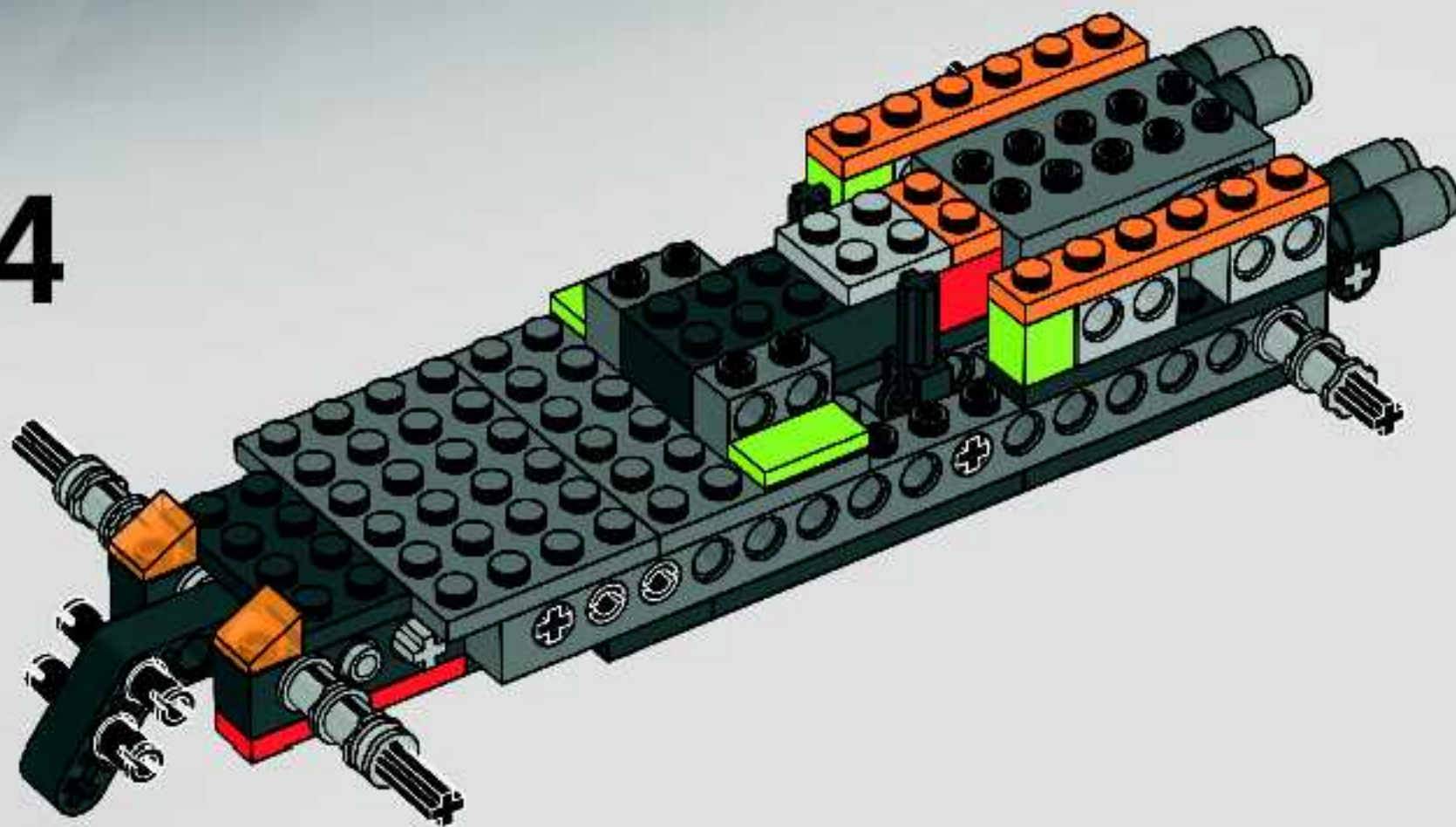
12

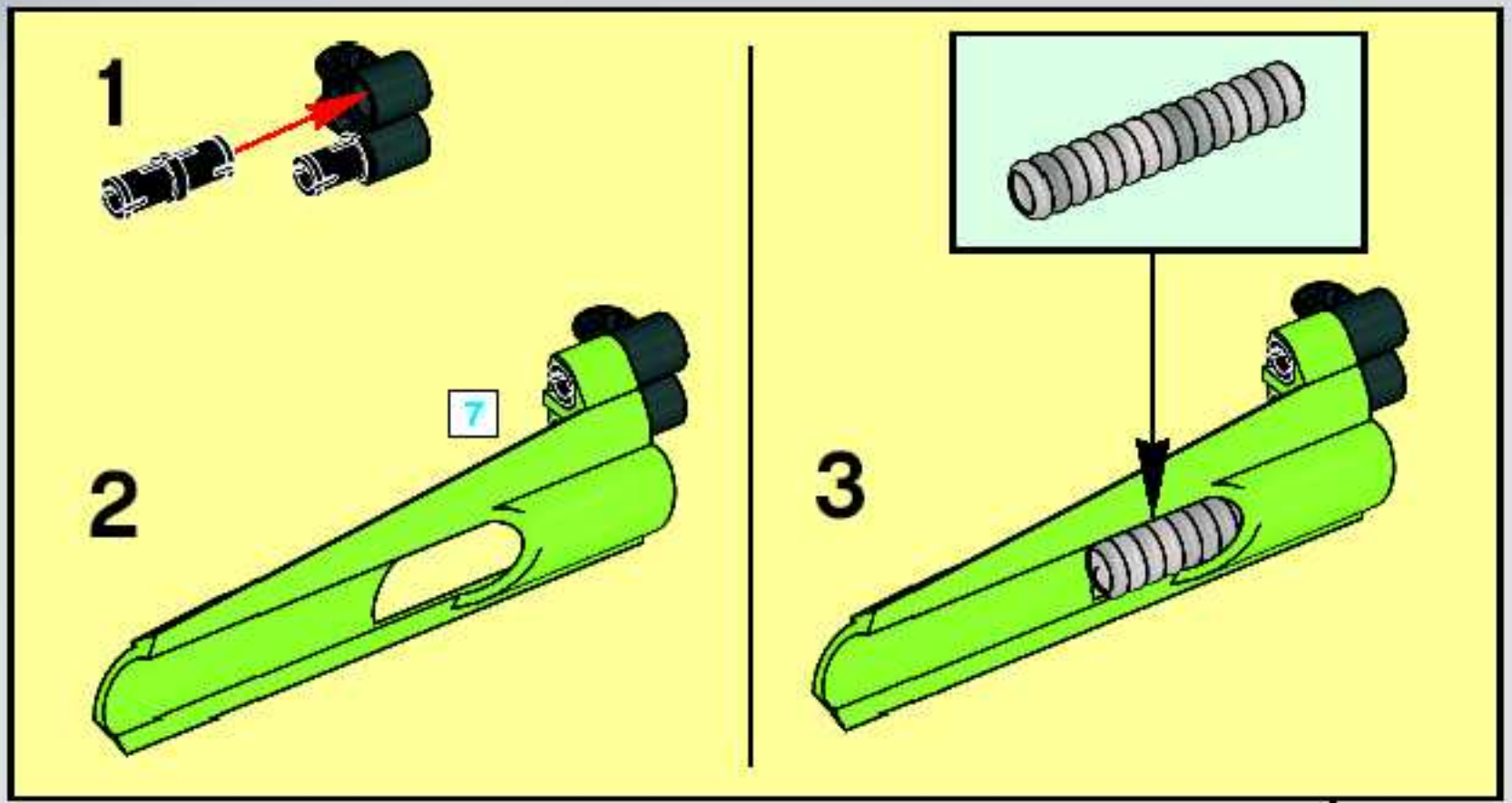


13

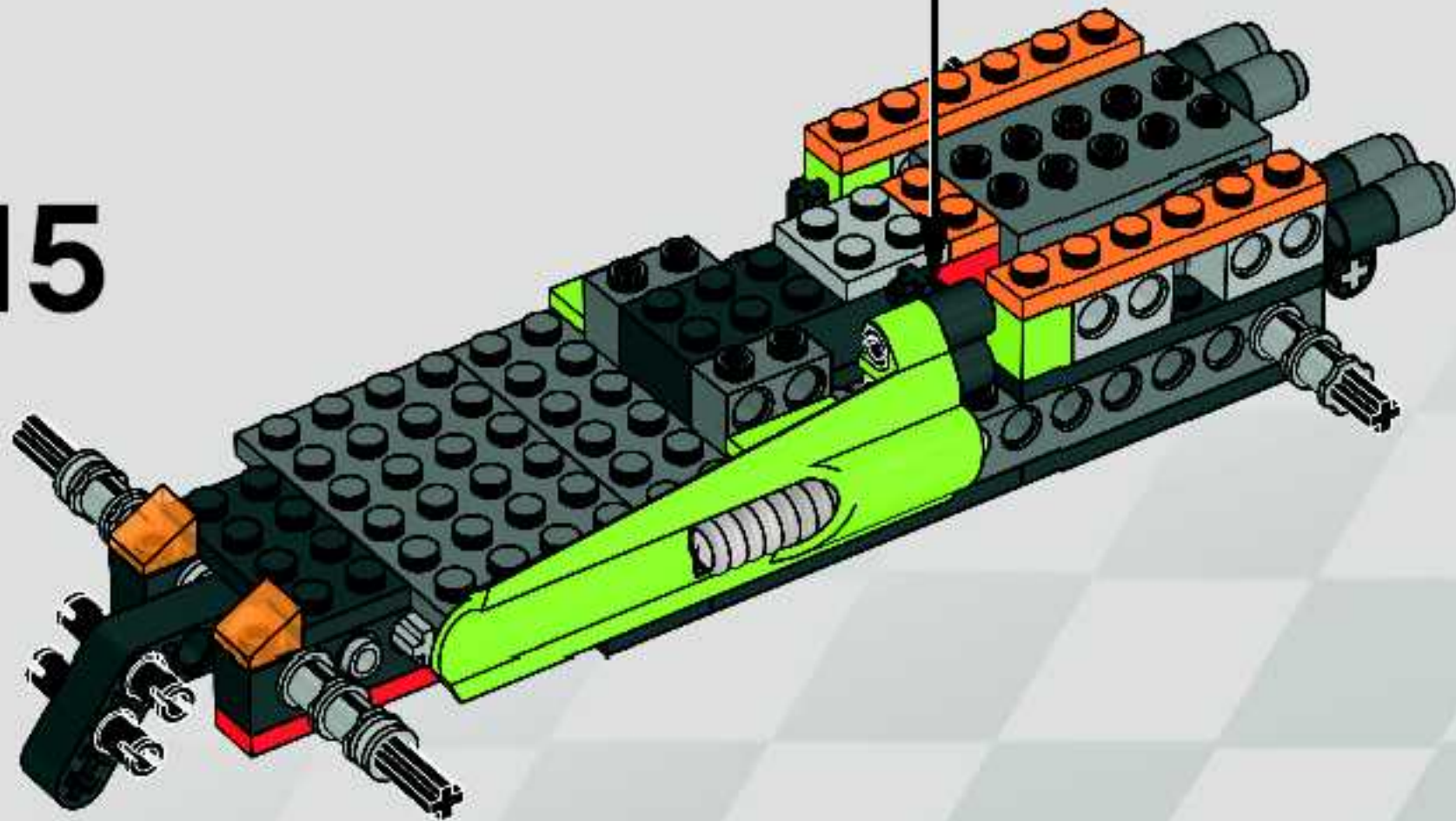


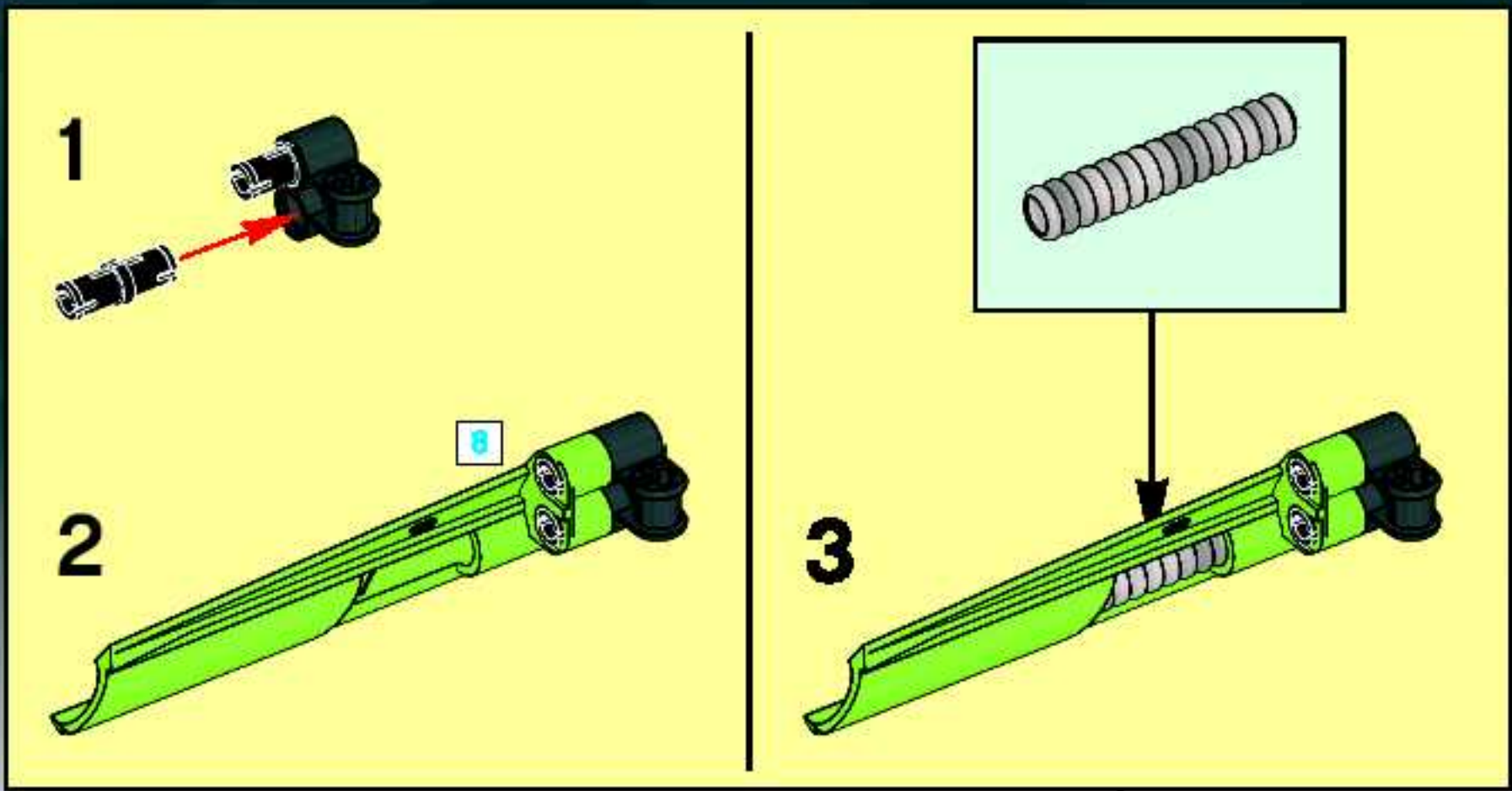
14



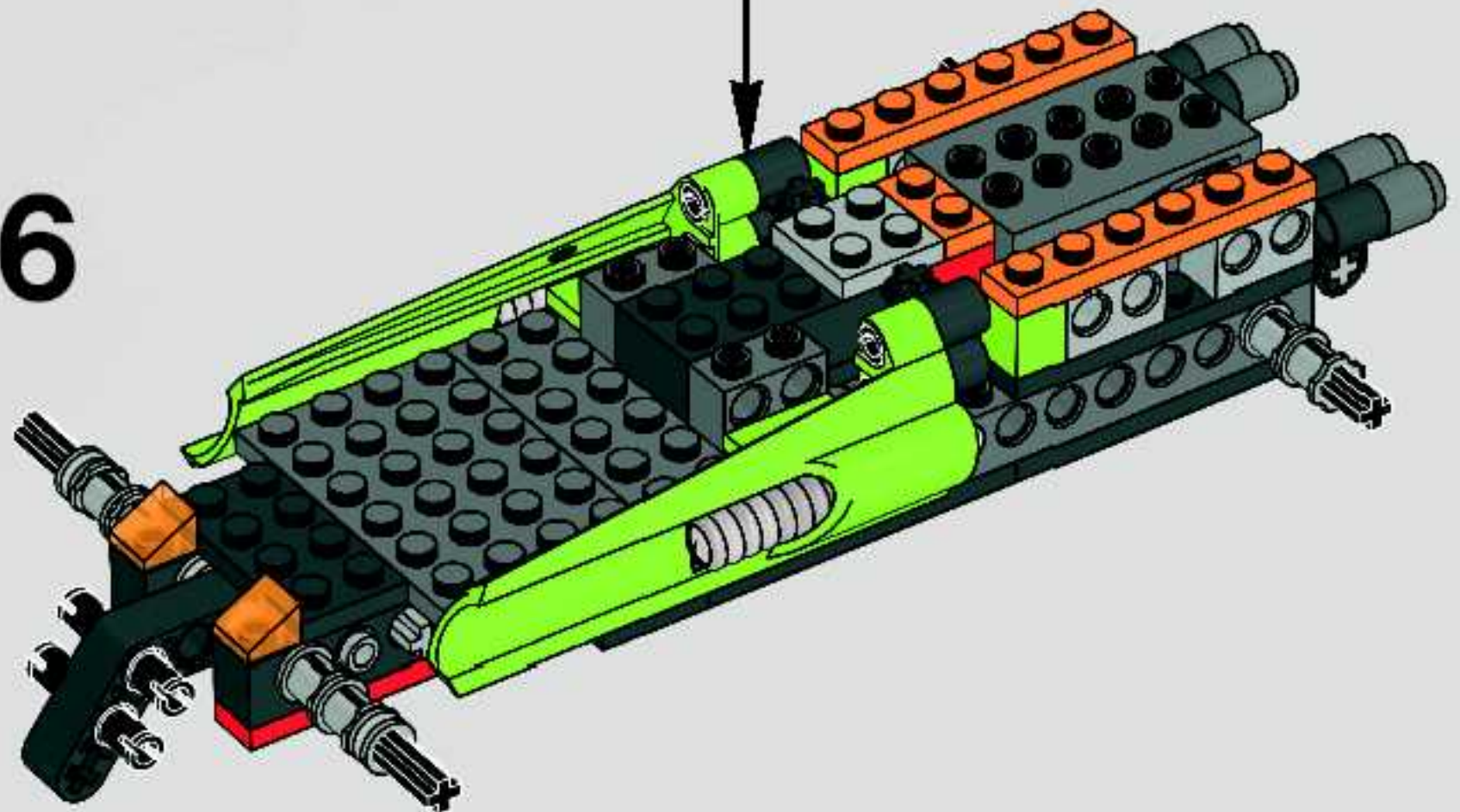


15





16



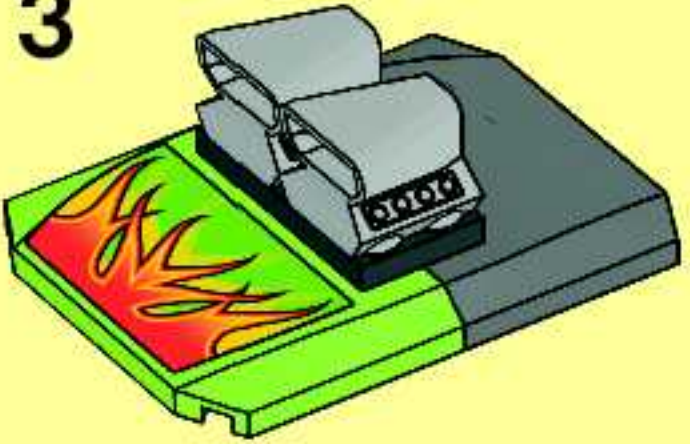
1



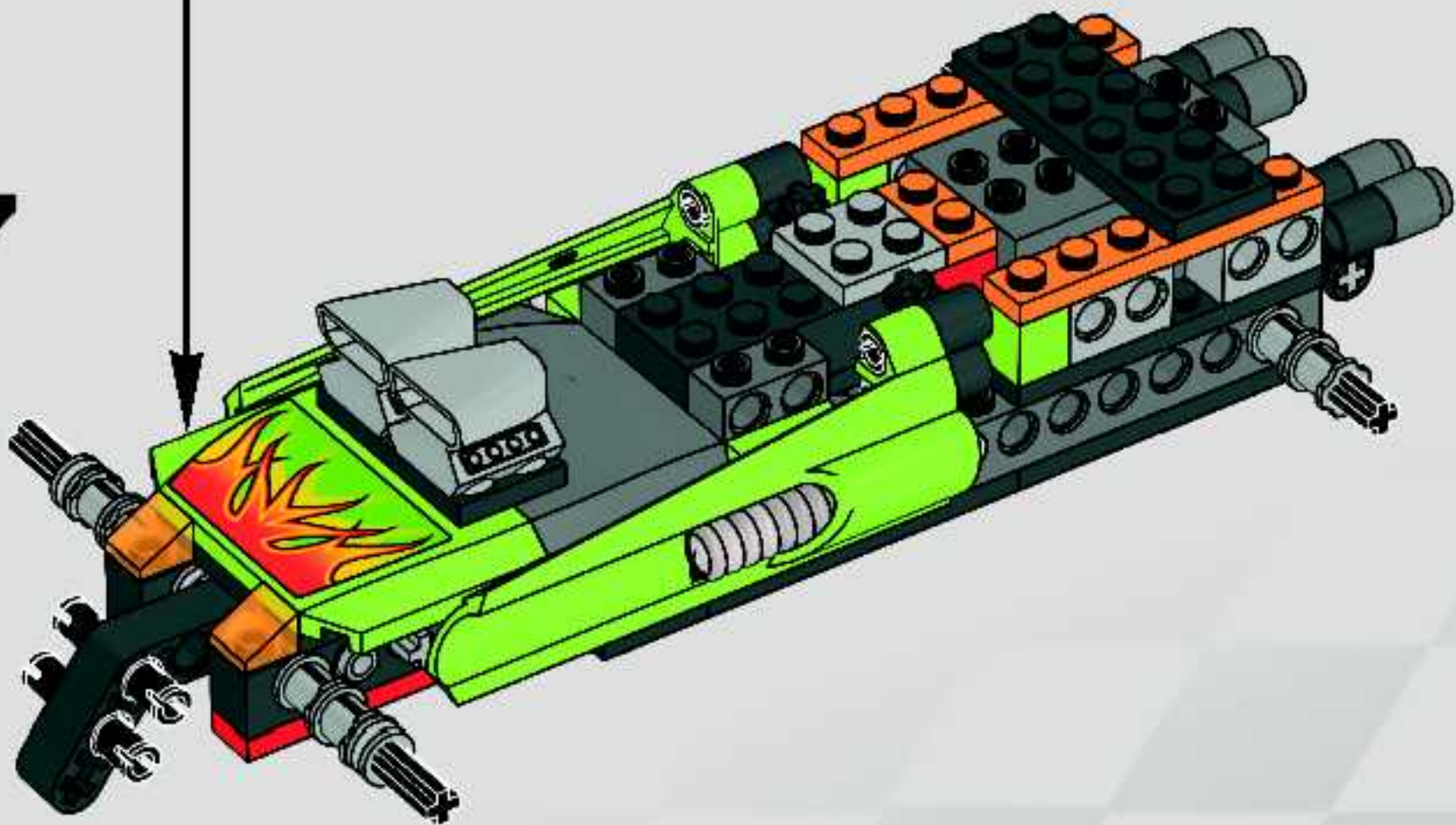
2

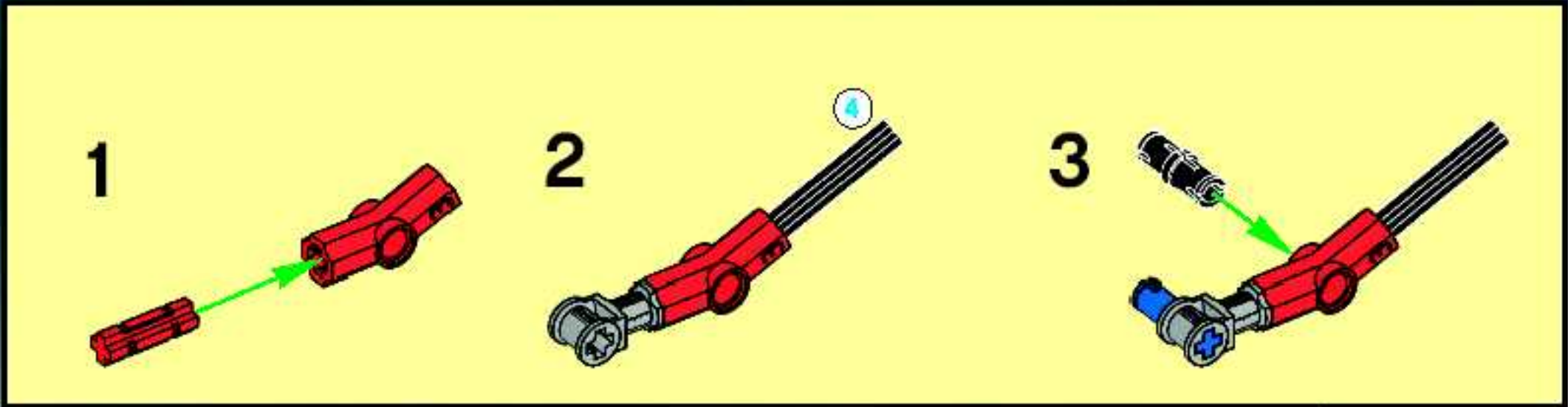


3

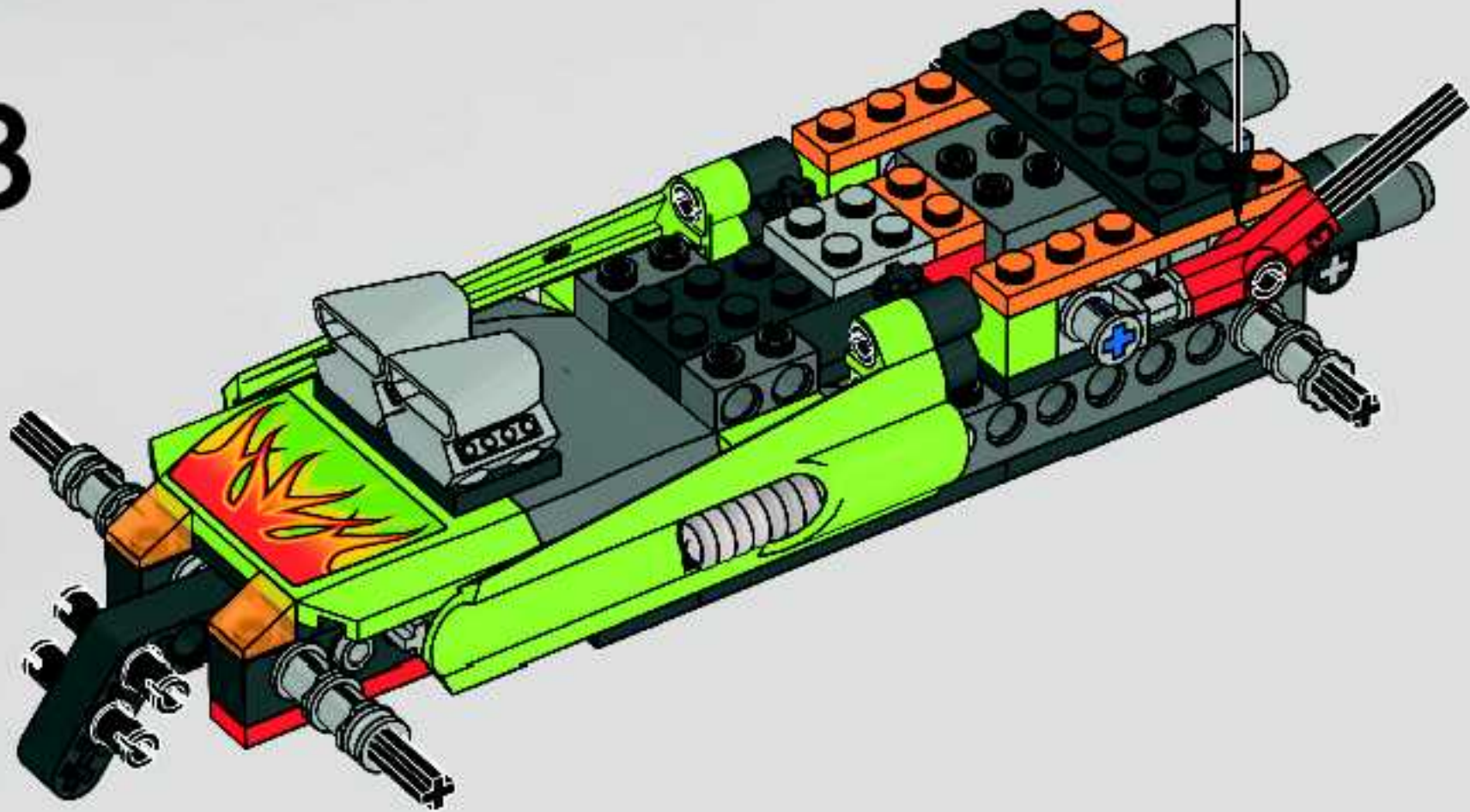


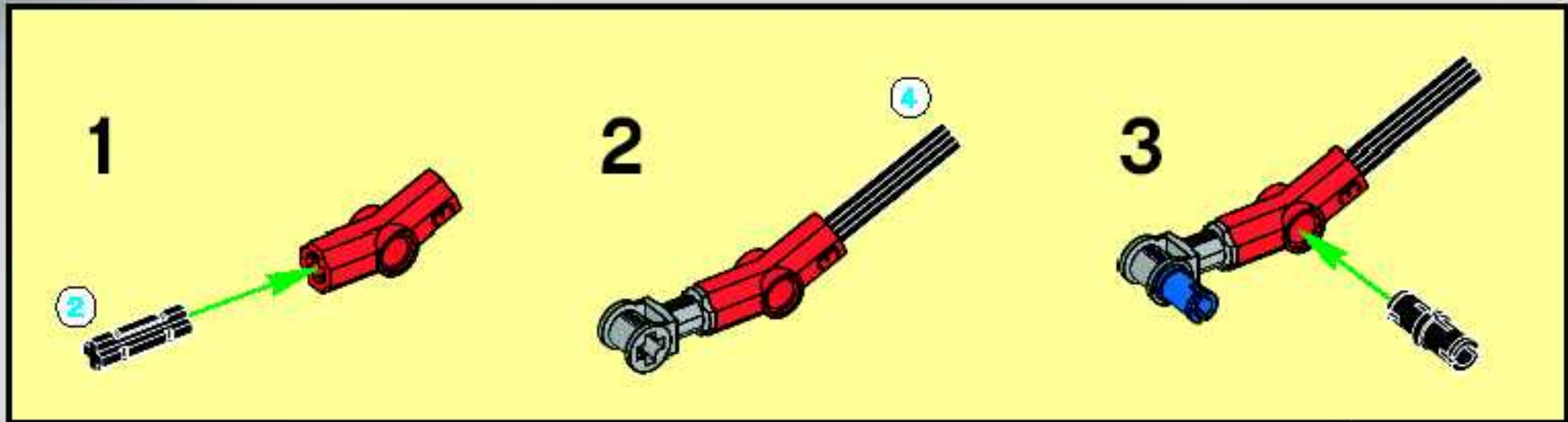
17



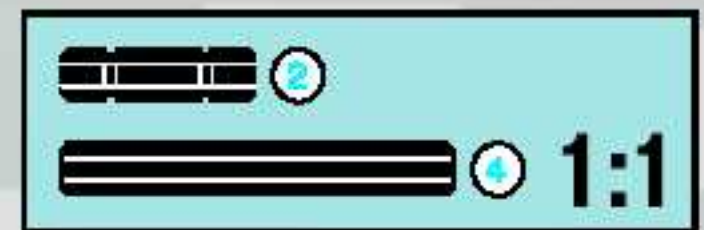
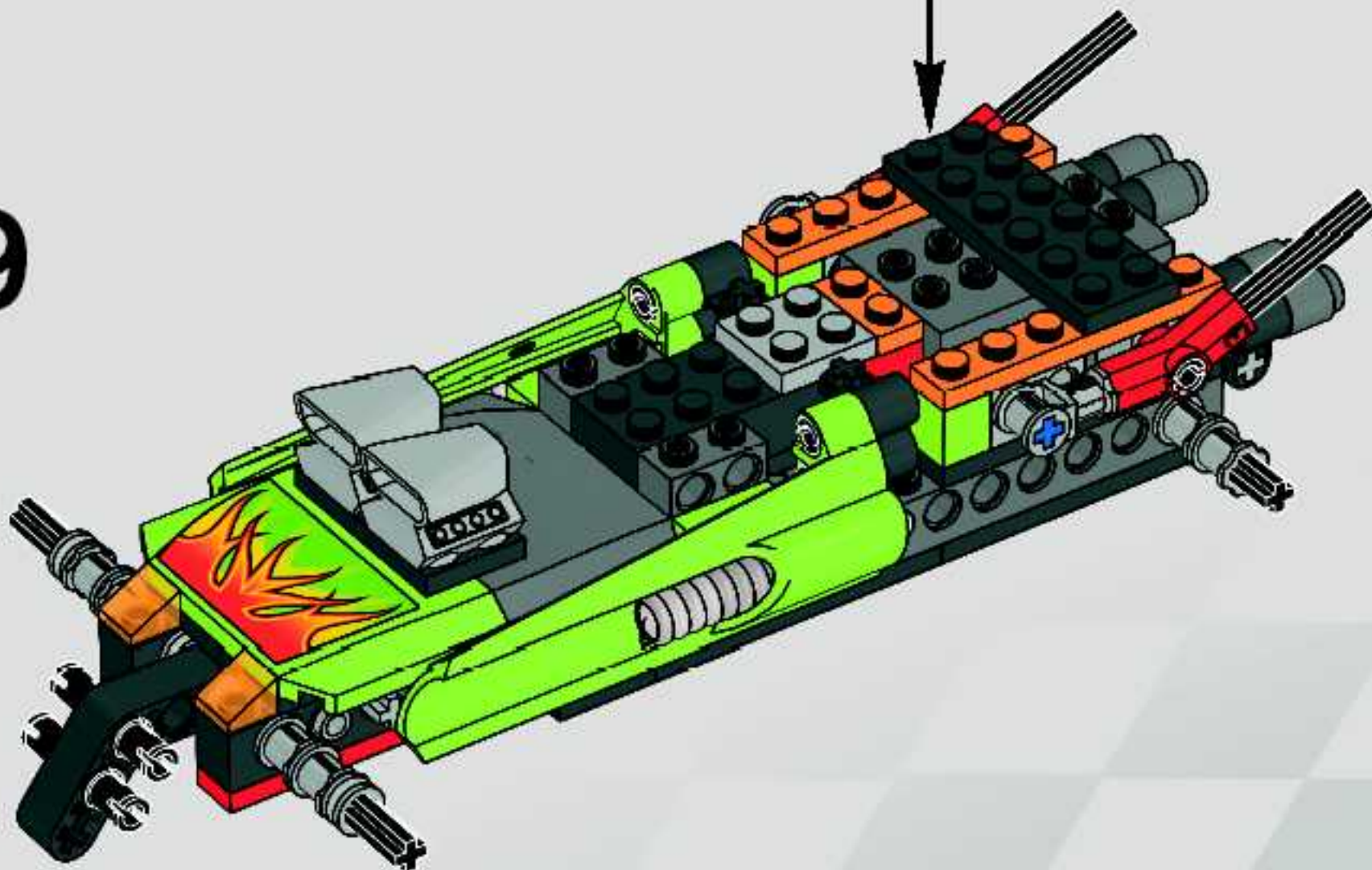


18

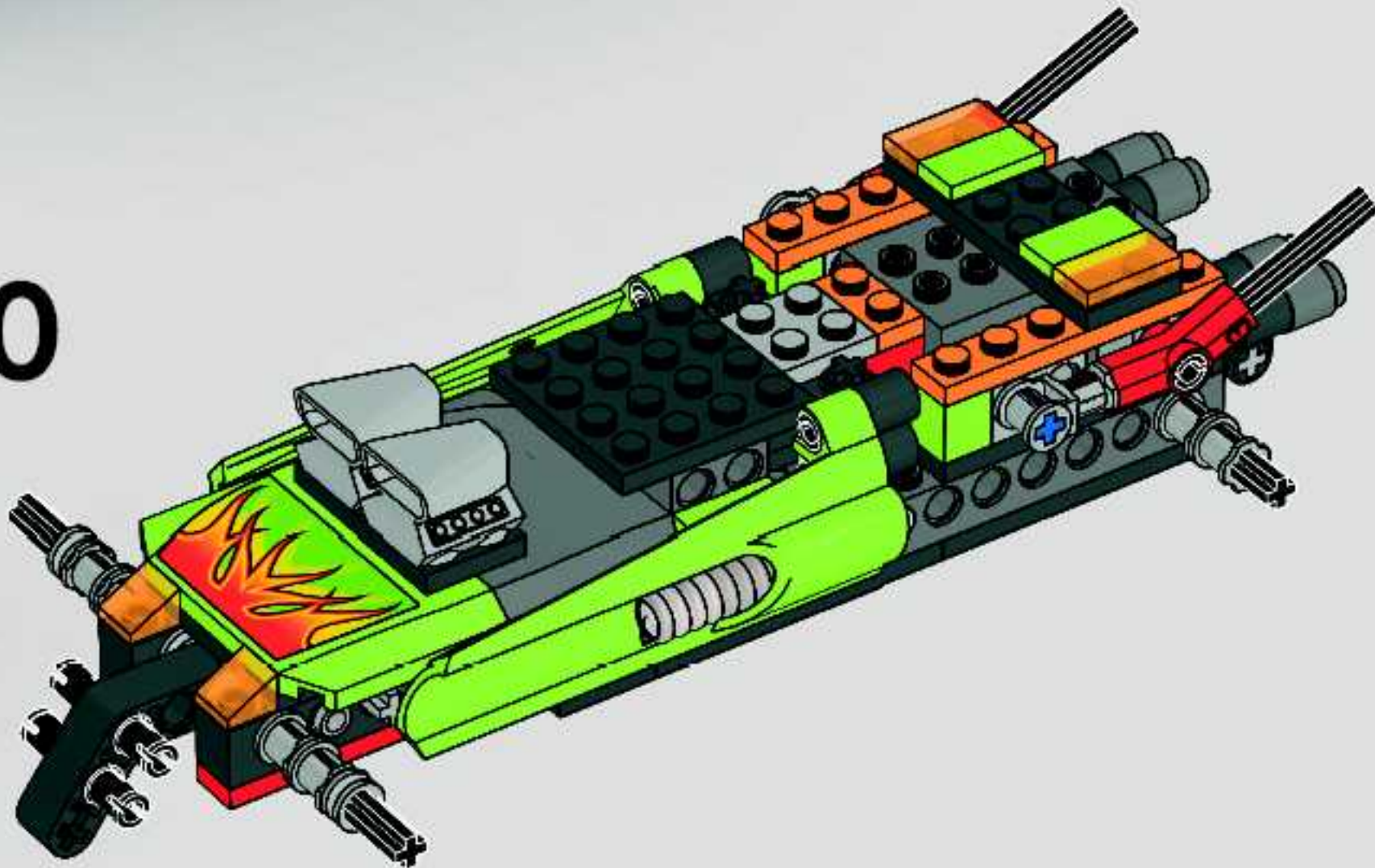




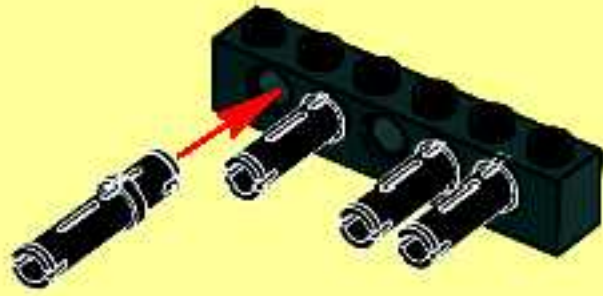
19



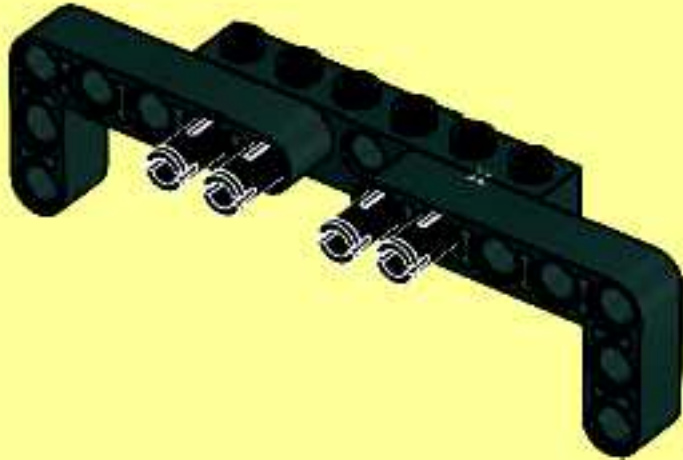
20



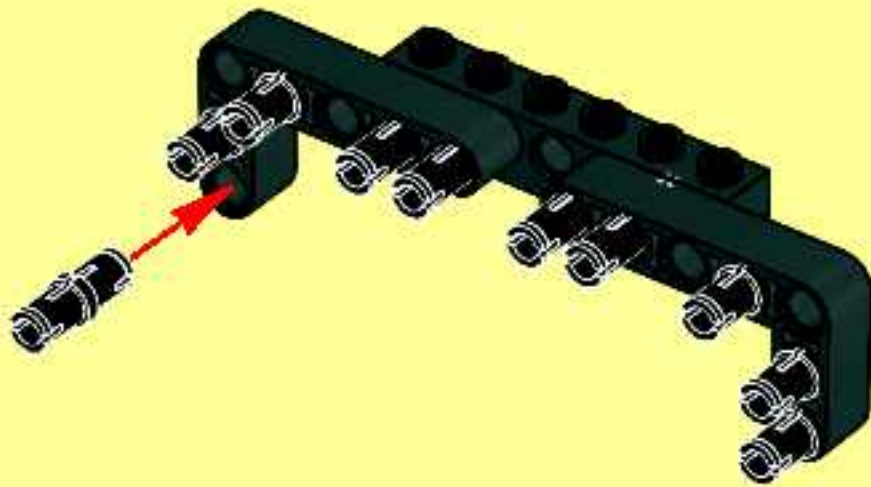
1



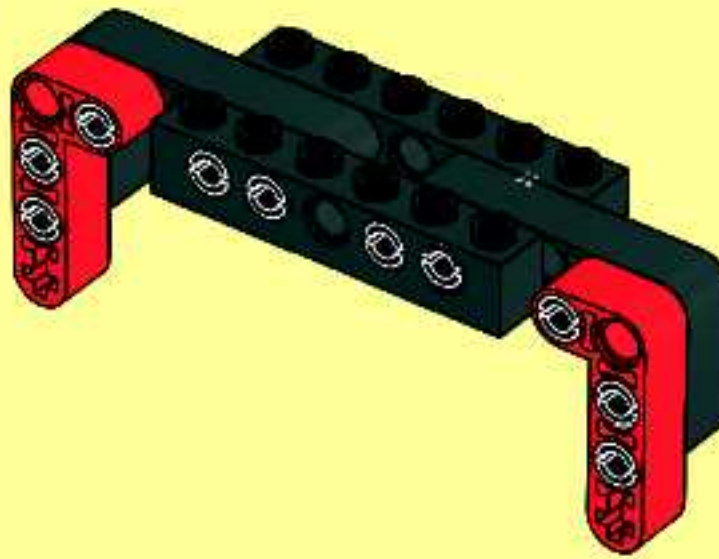
2



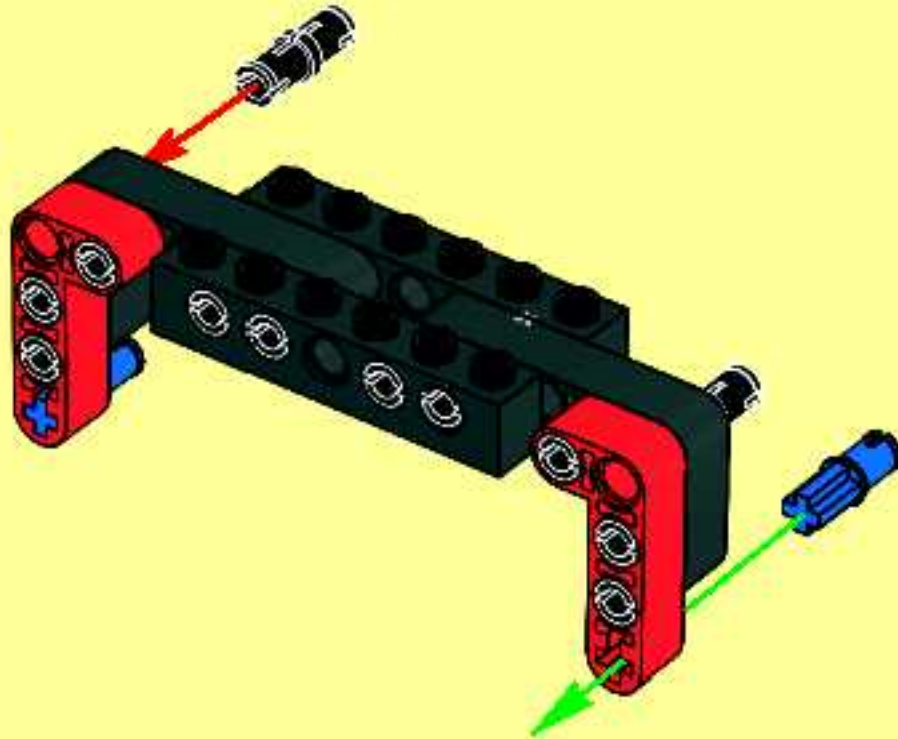
3



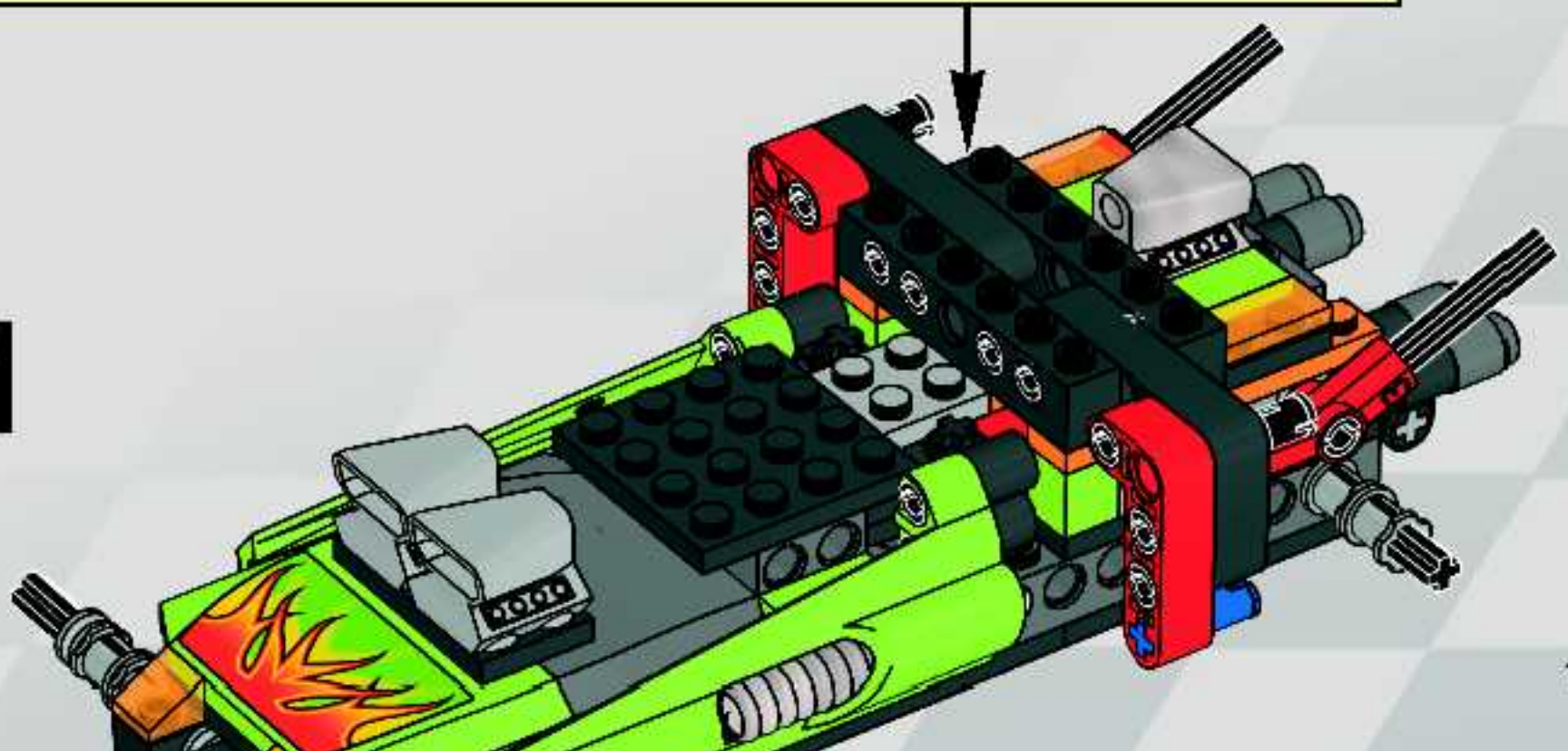
4



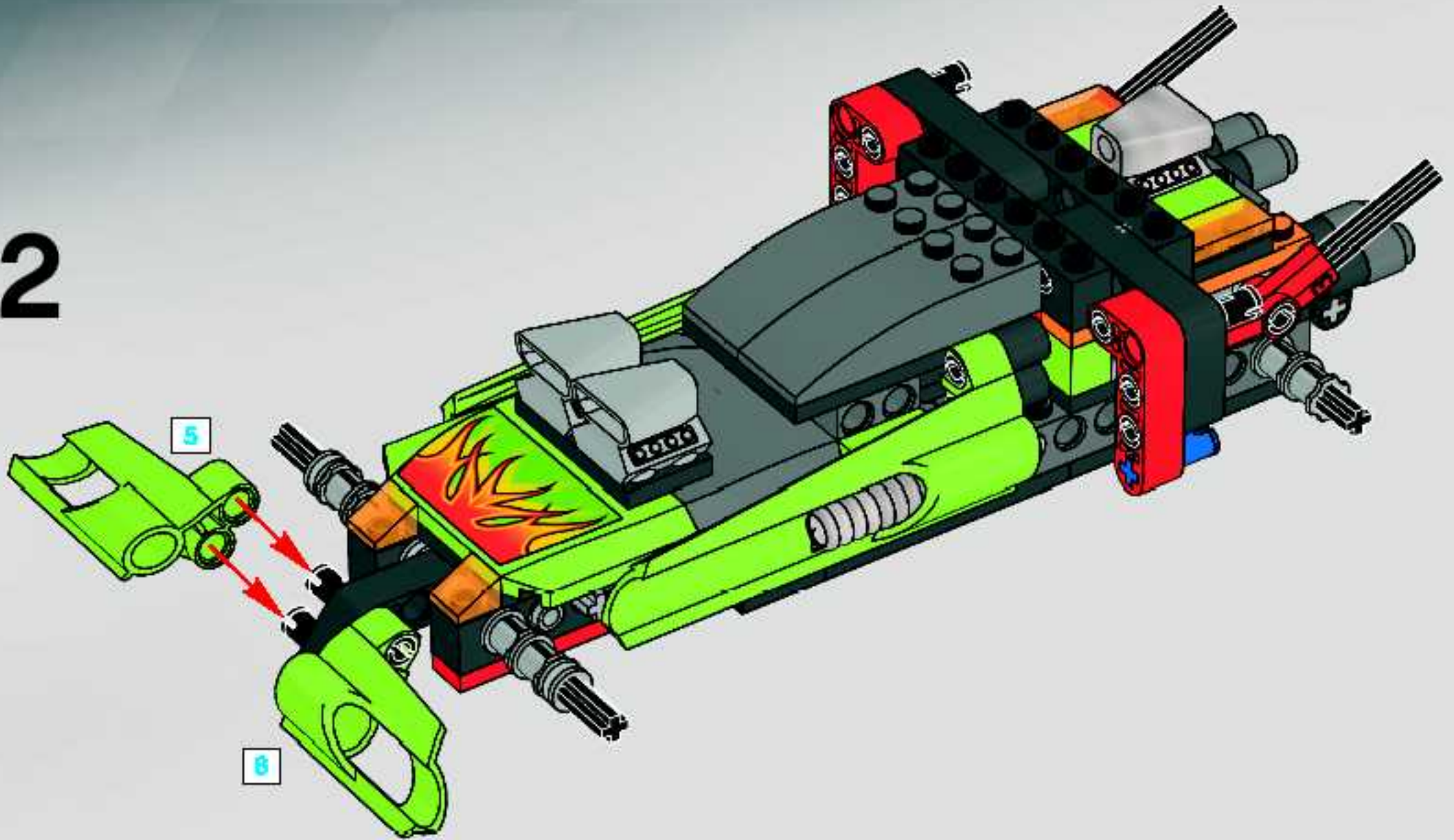
5



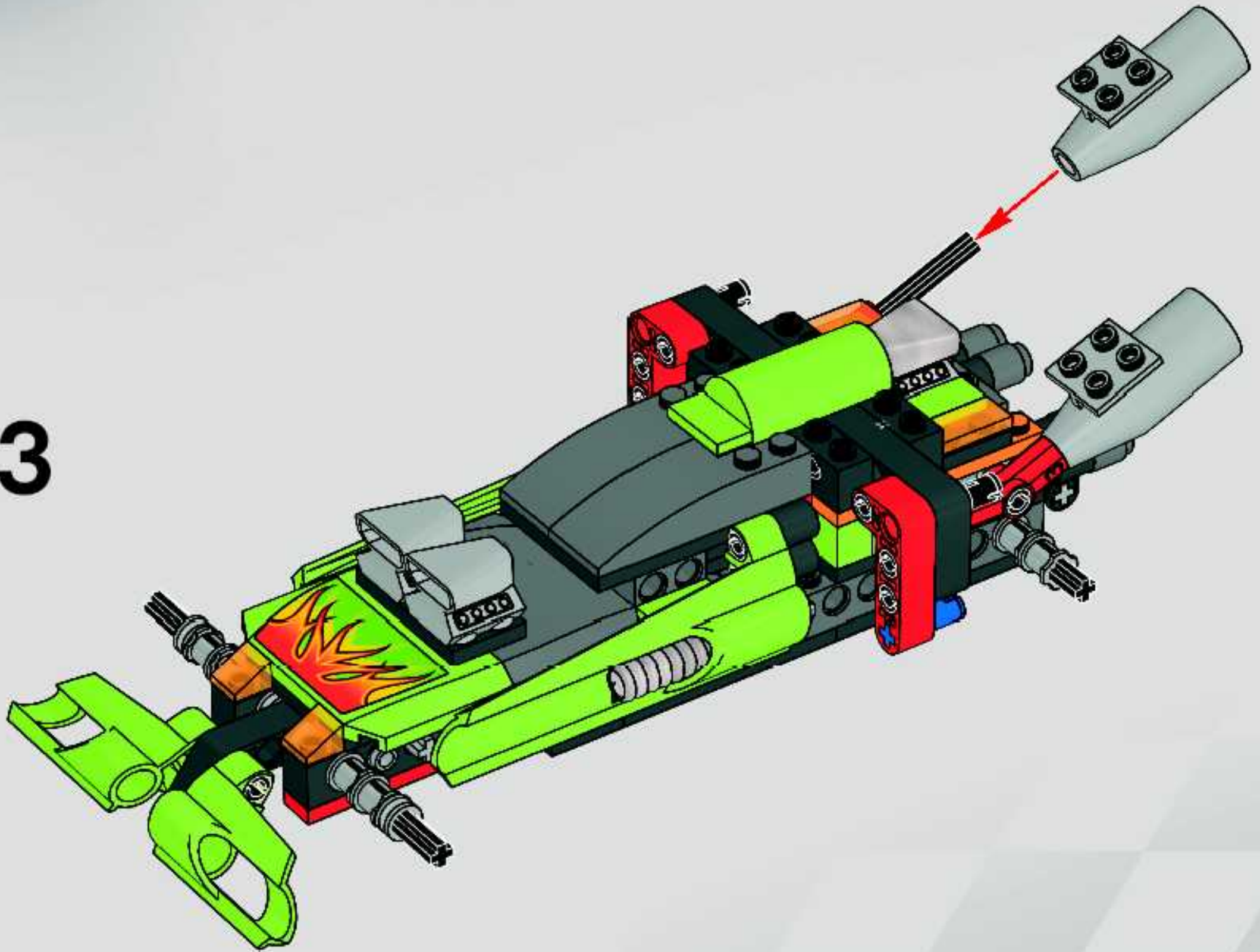
21

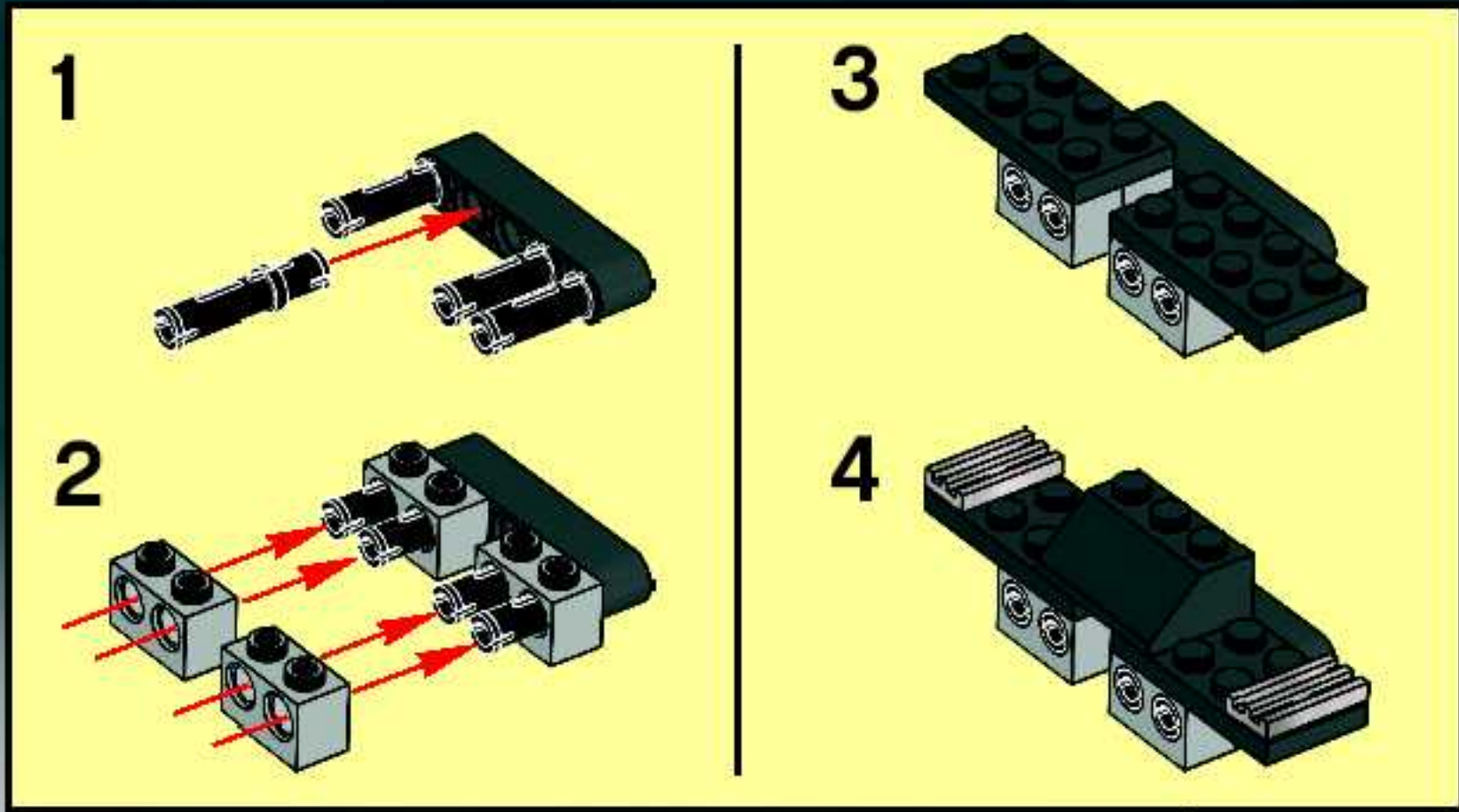


22

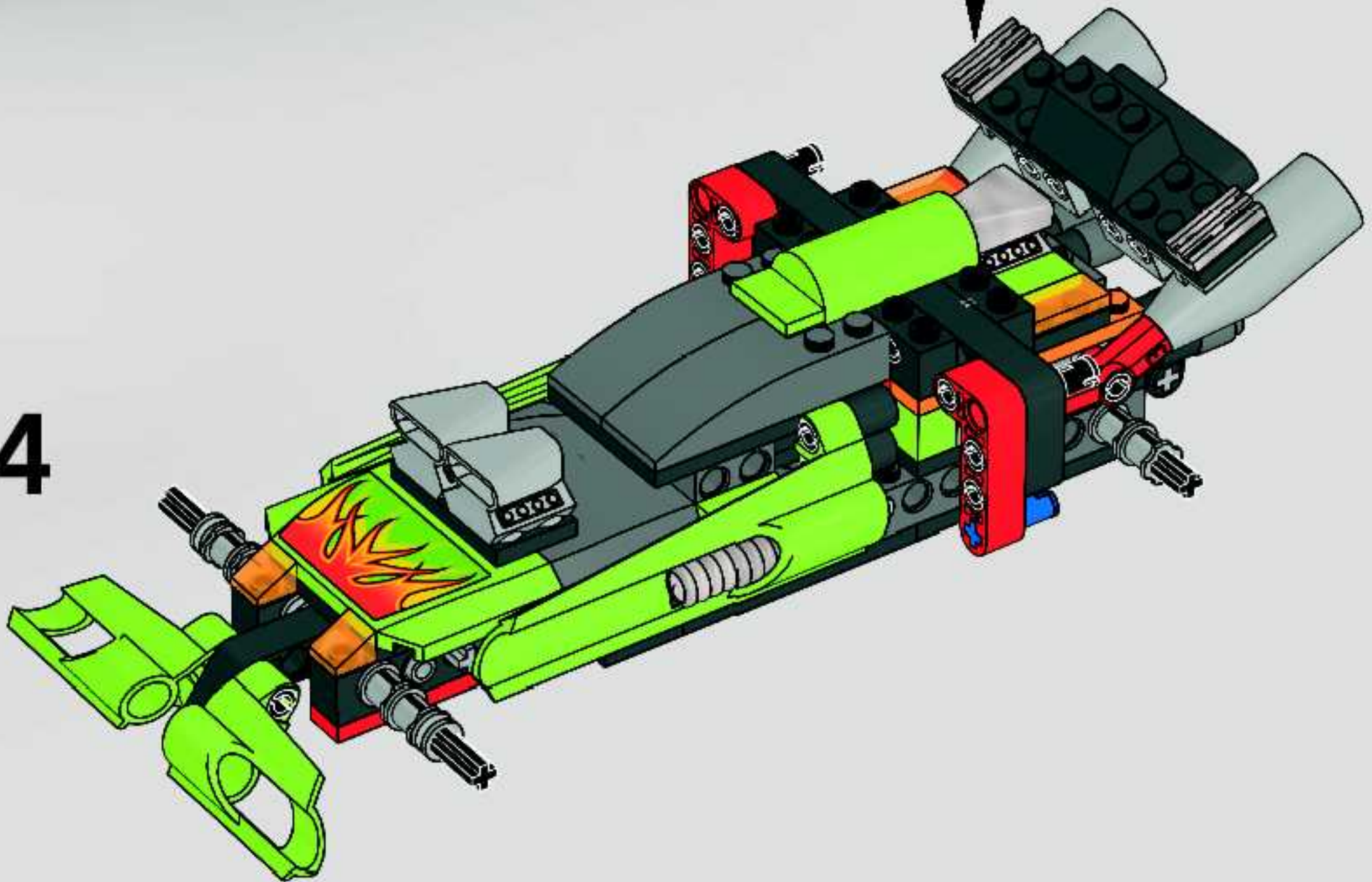


23





24



25



26



8140 + 8136

8141 + 8137

8141 + 8138

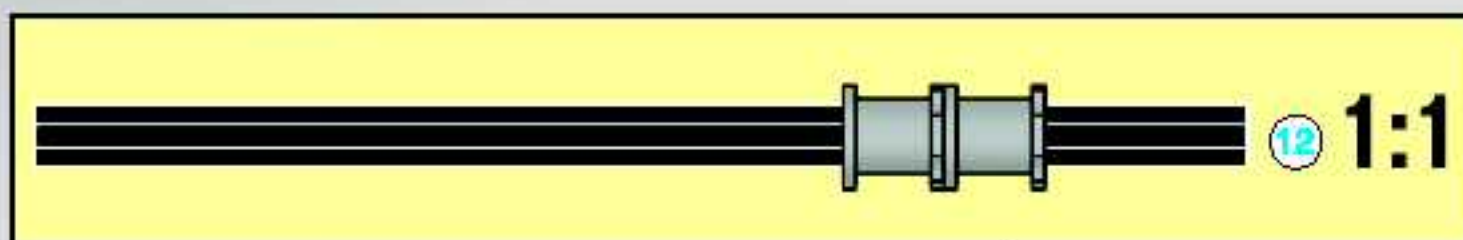
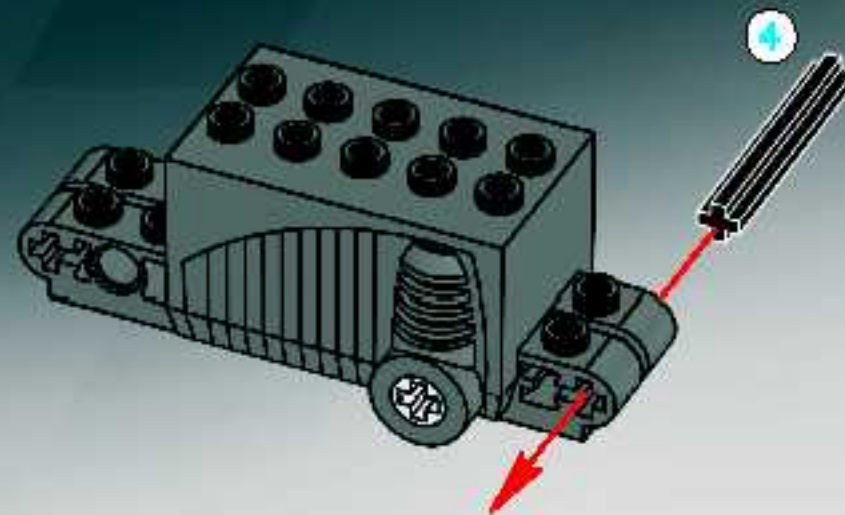
8140 + 8139



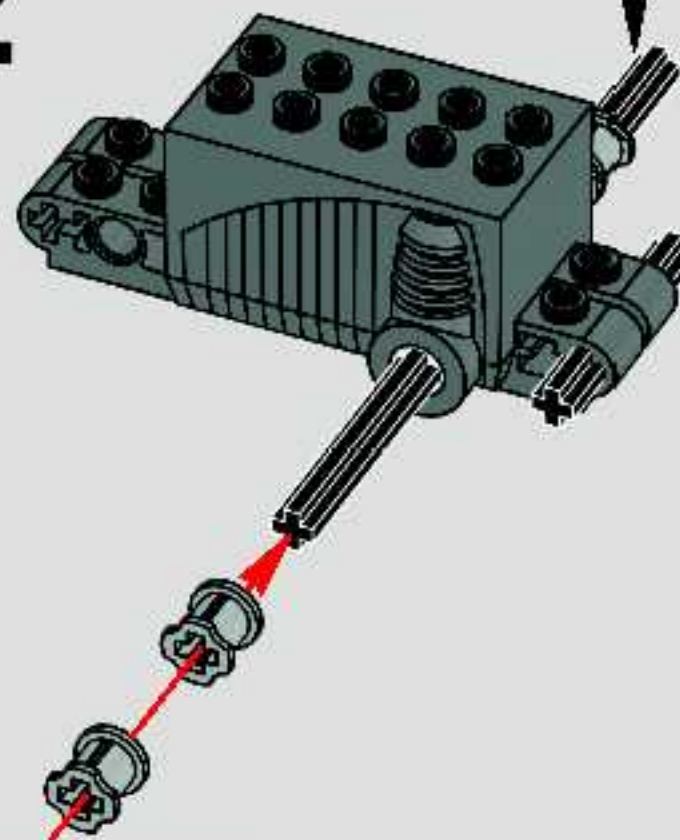
Combimodel 8141+8138



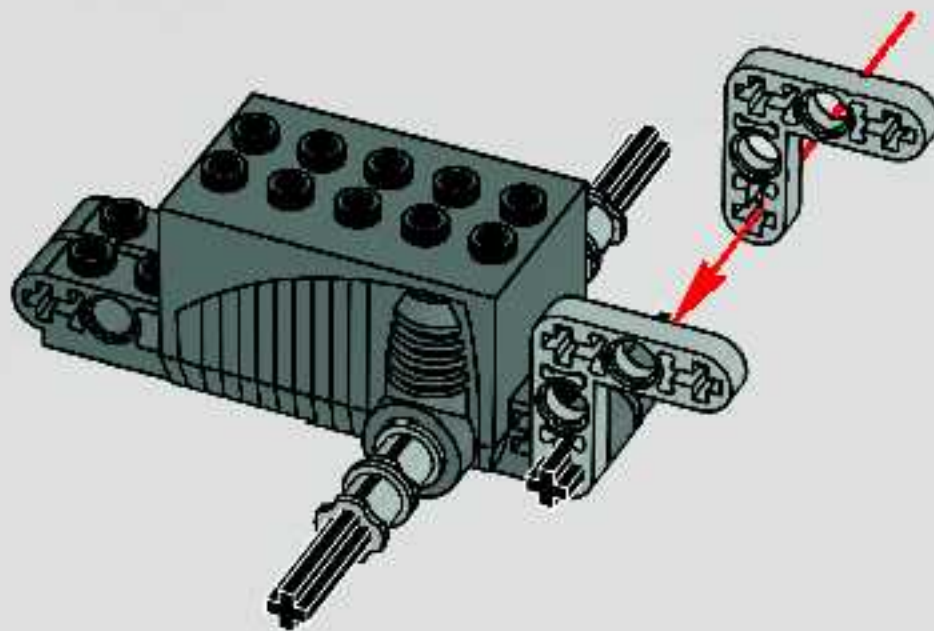
1



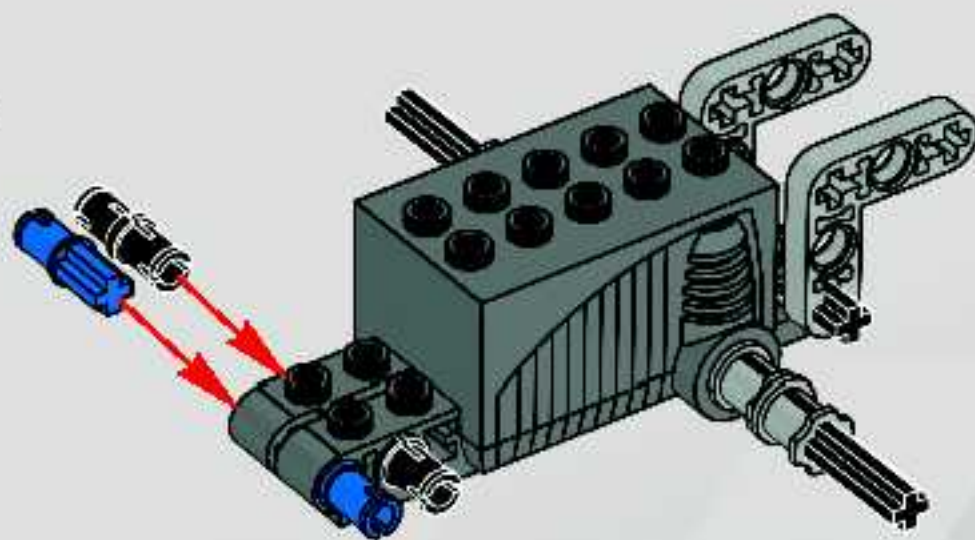
2

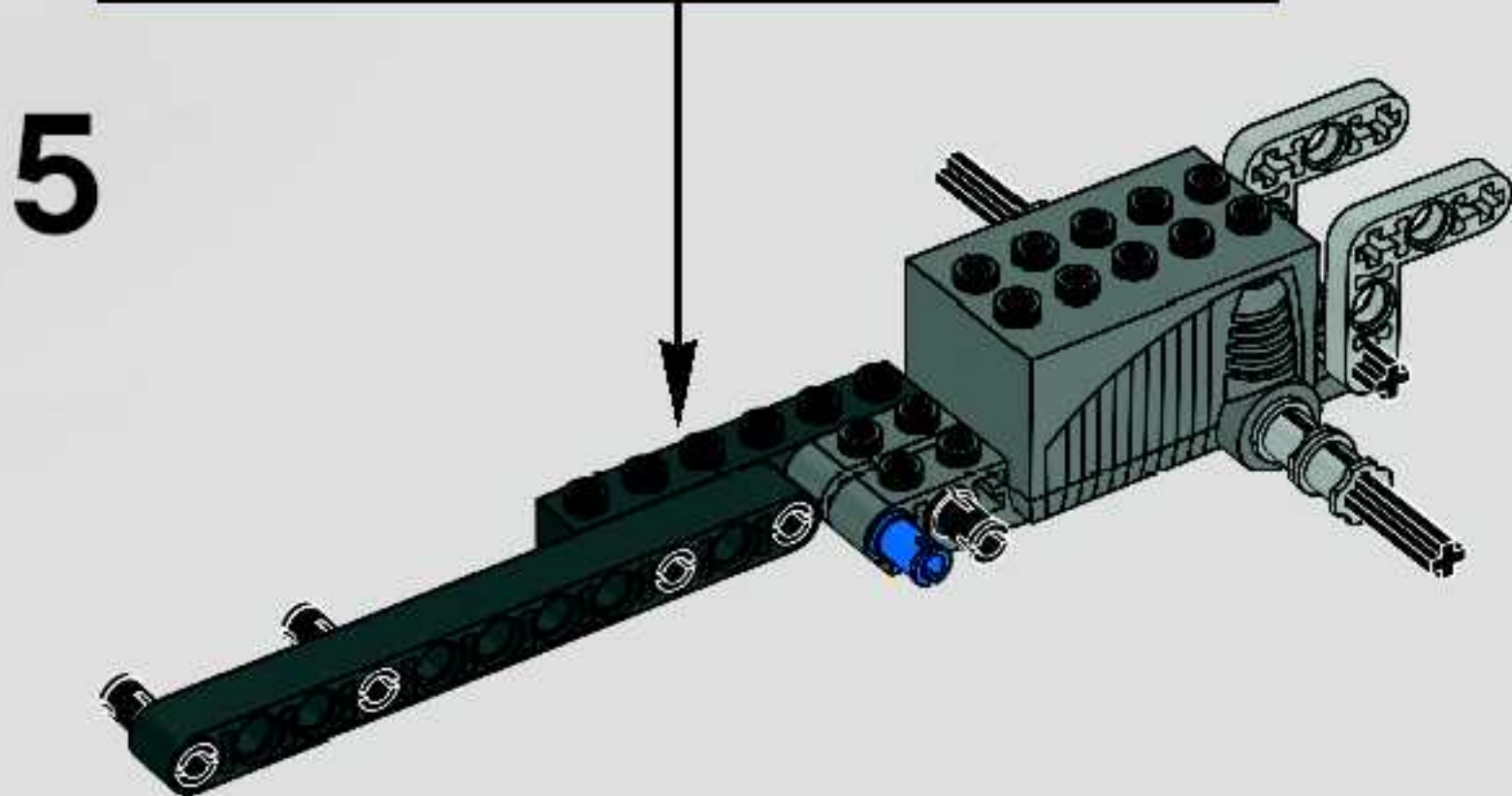
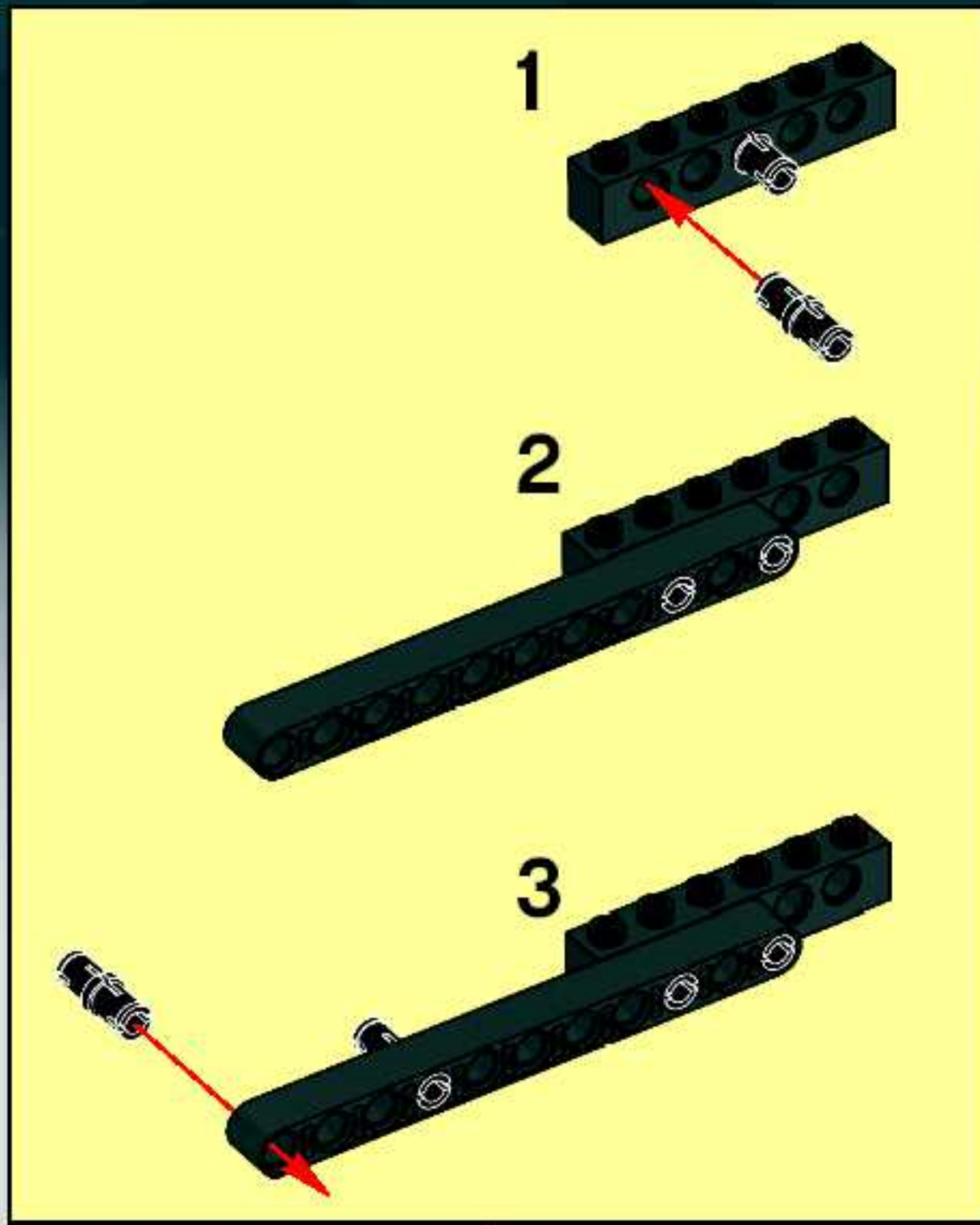


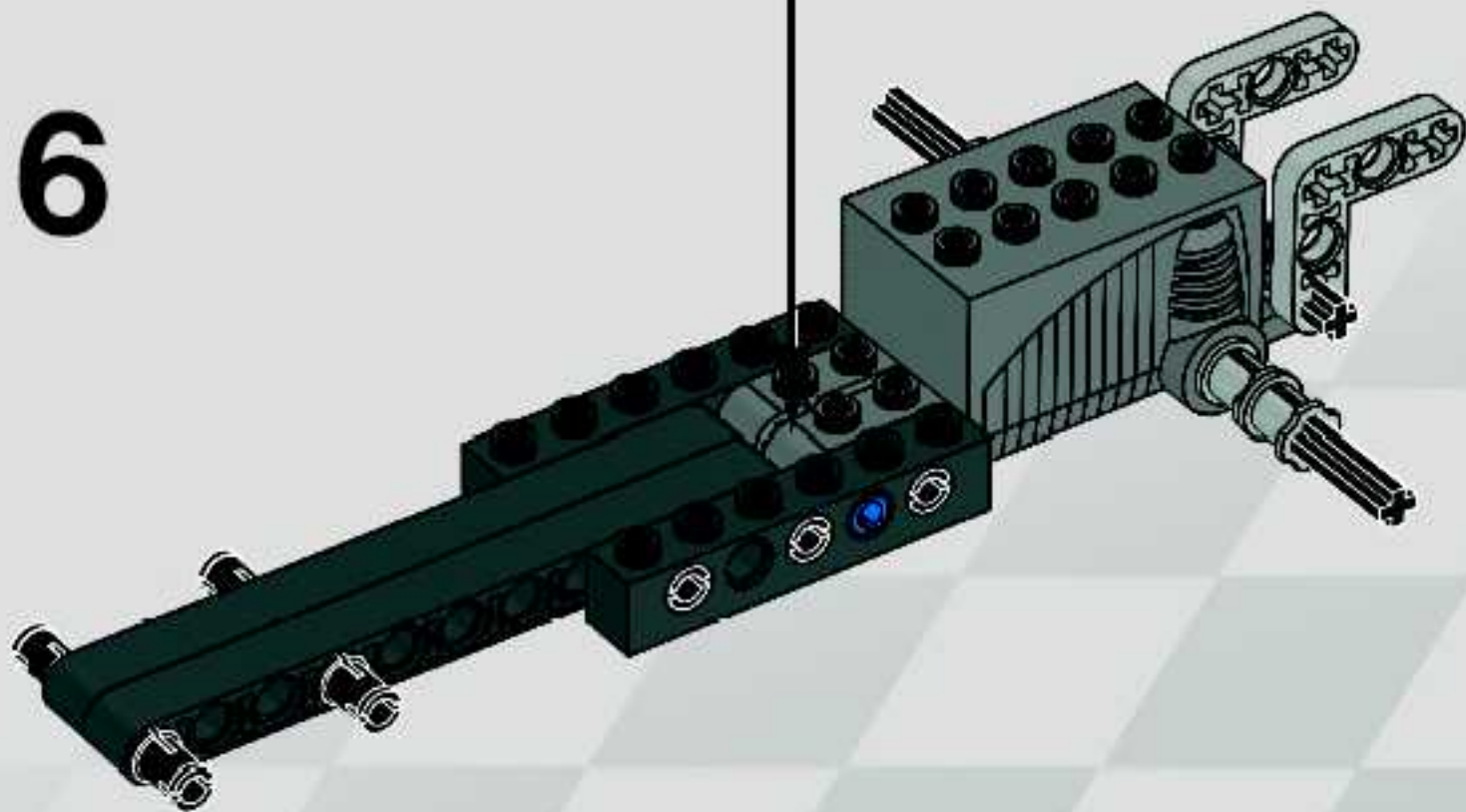
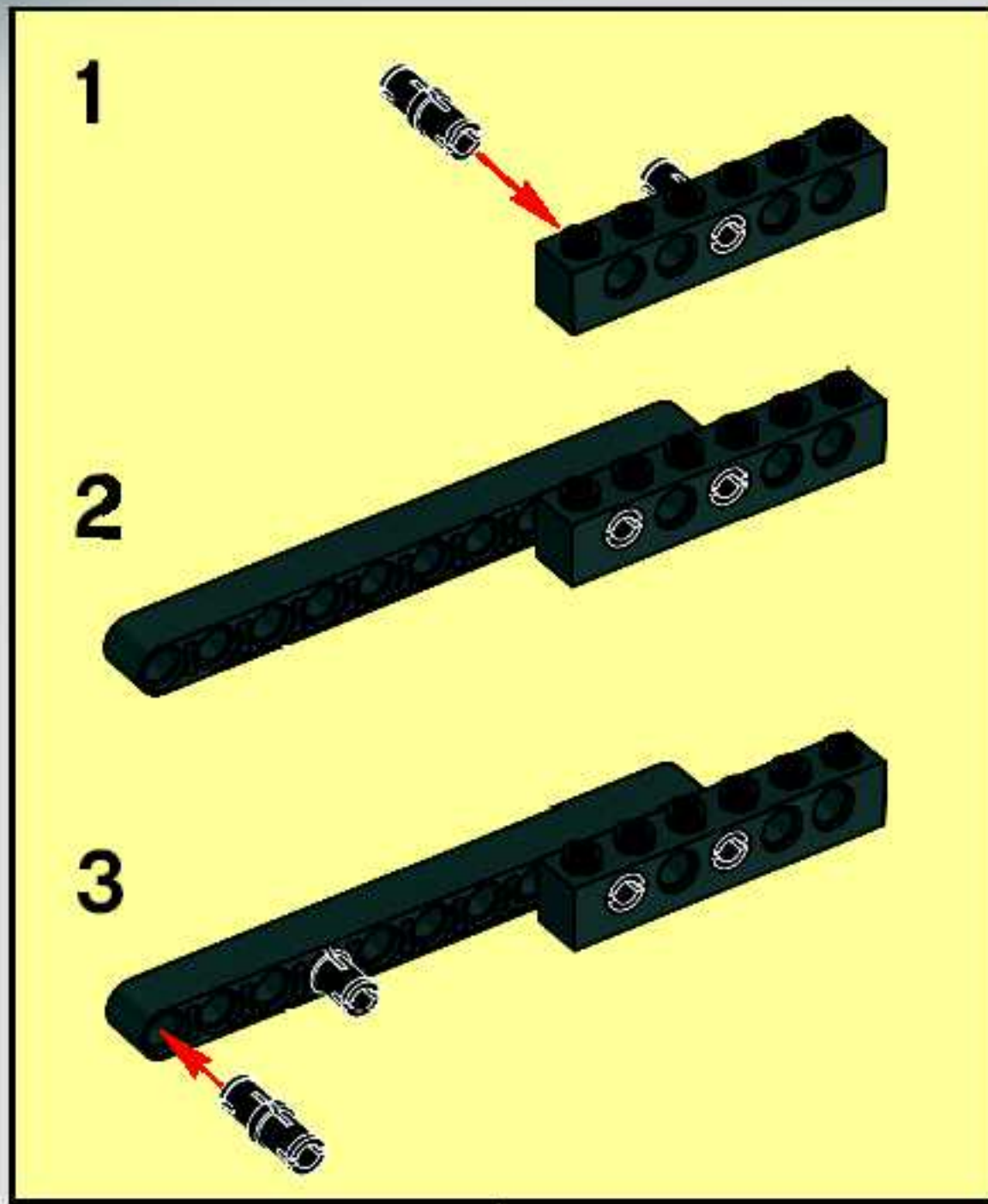
3



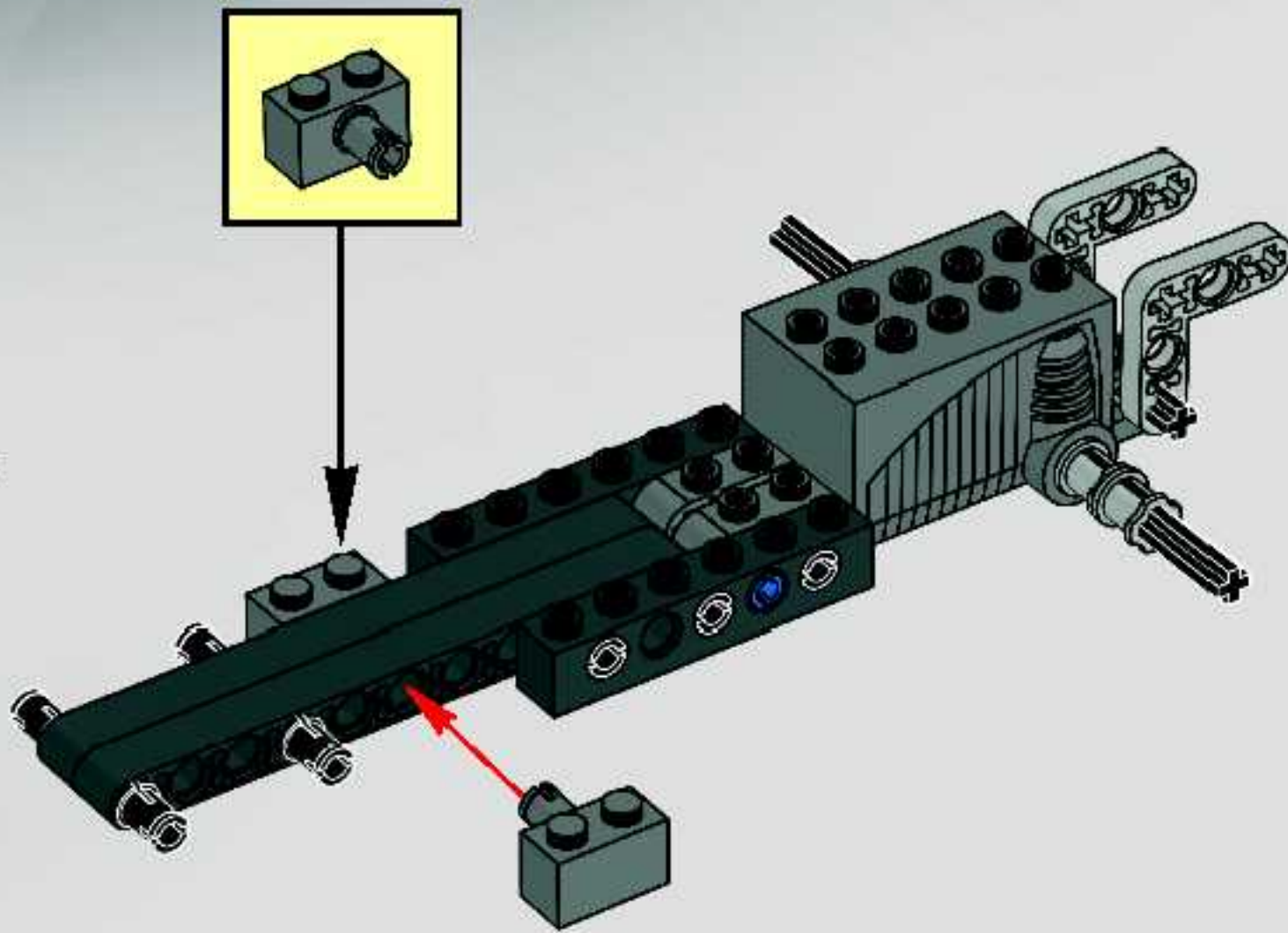
4

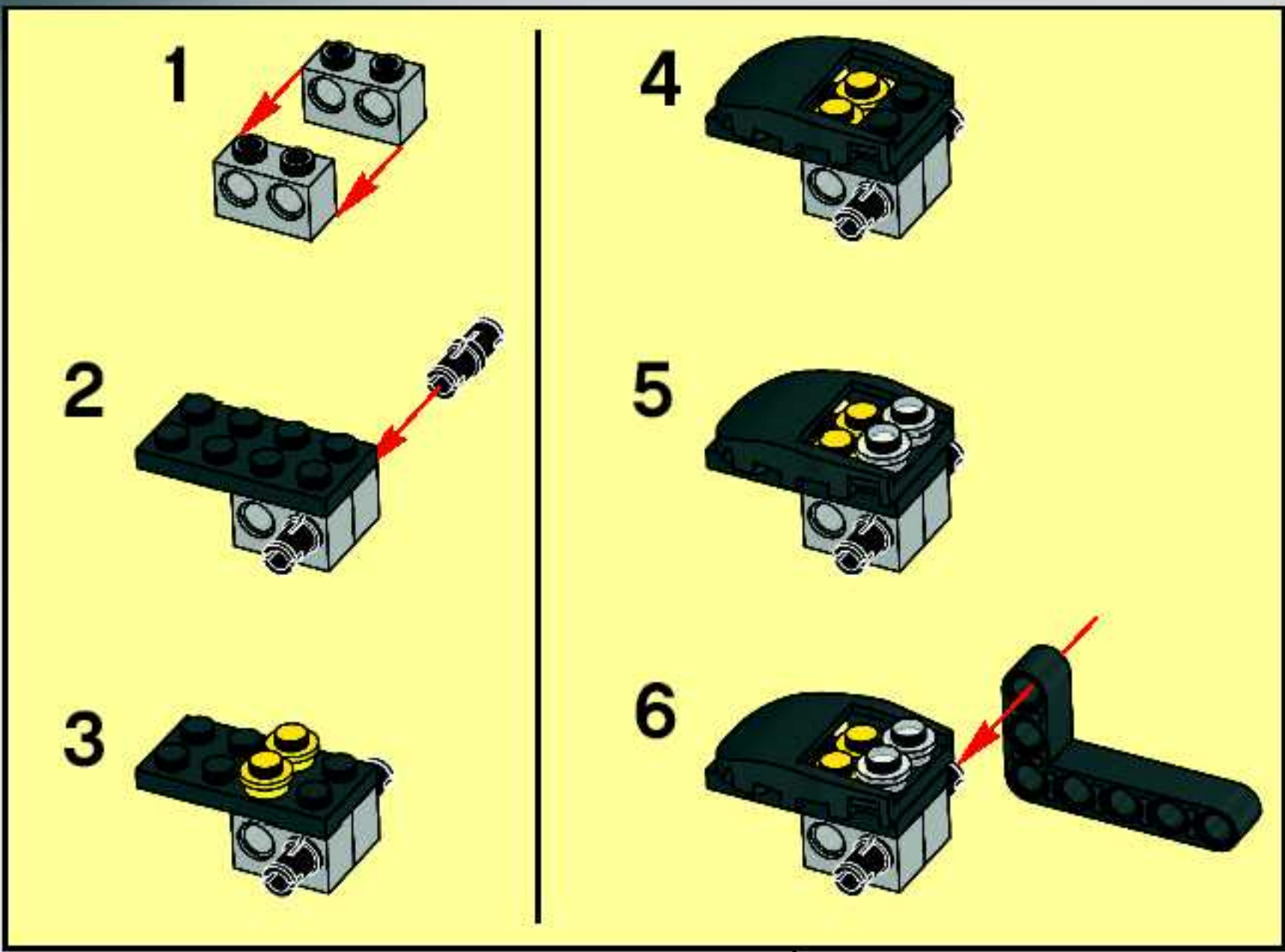




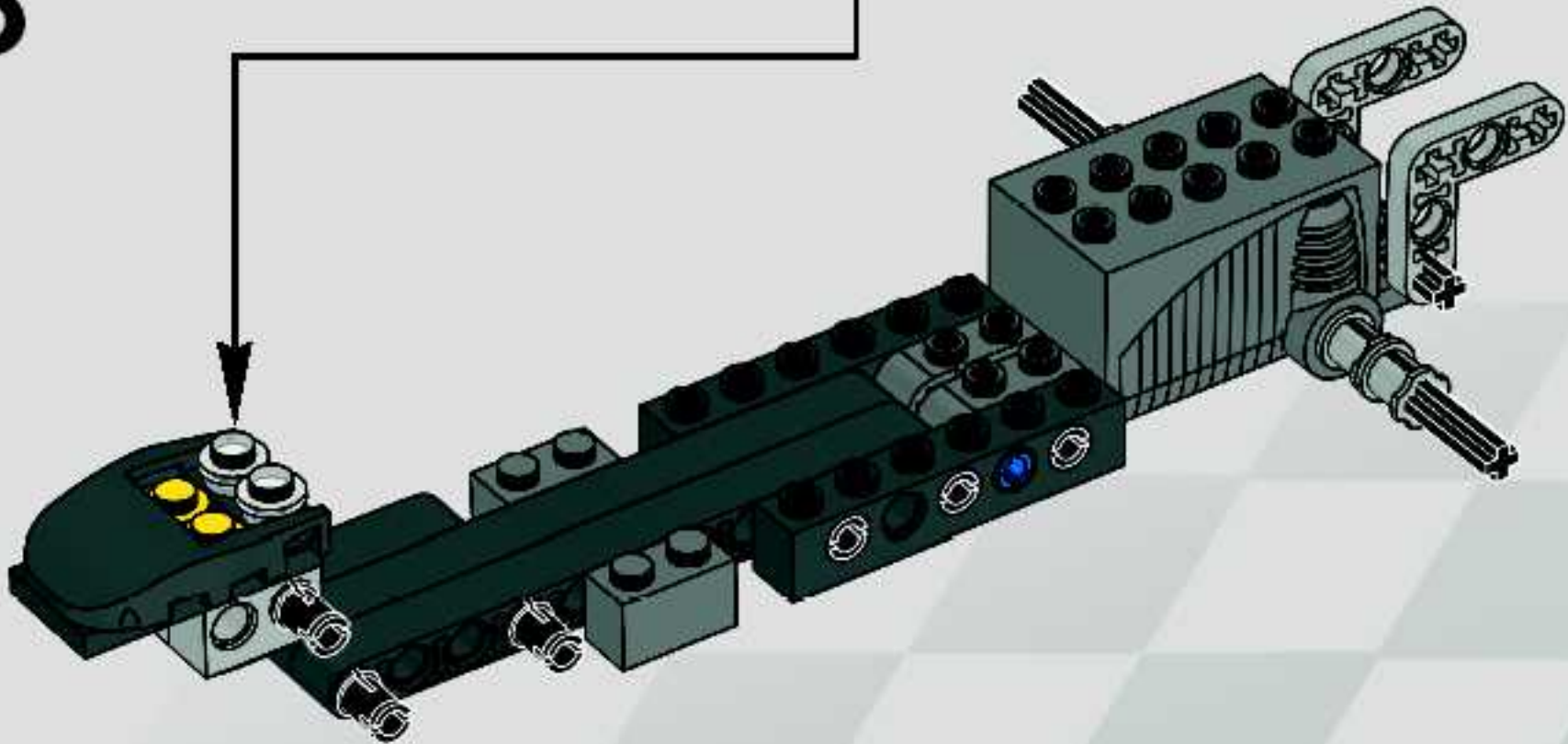


7

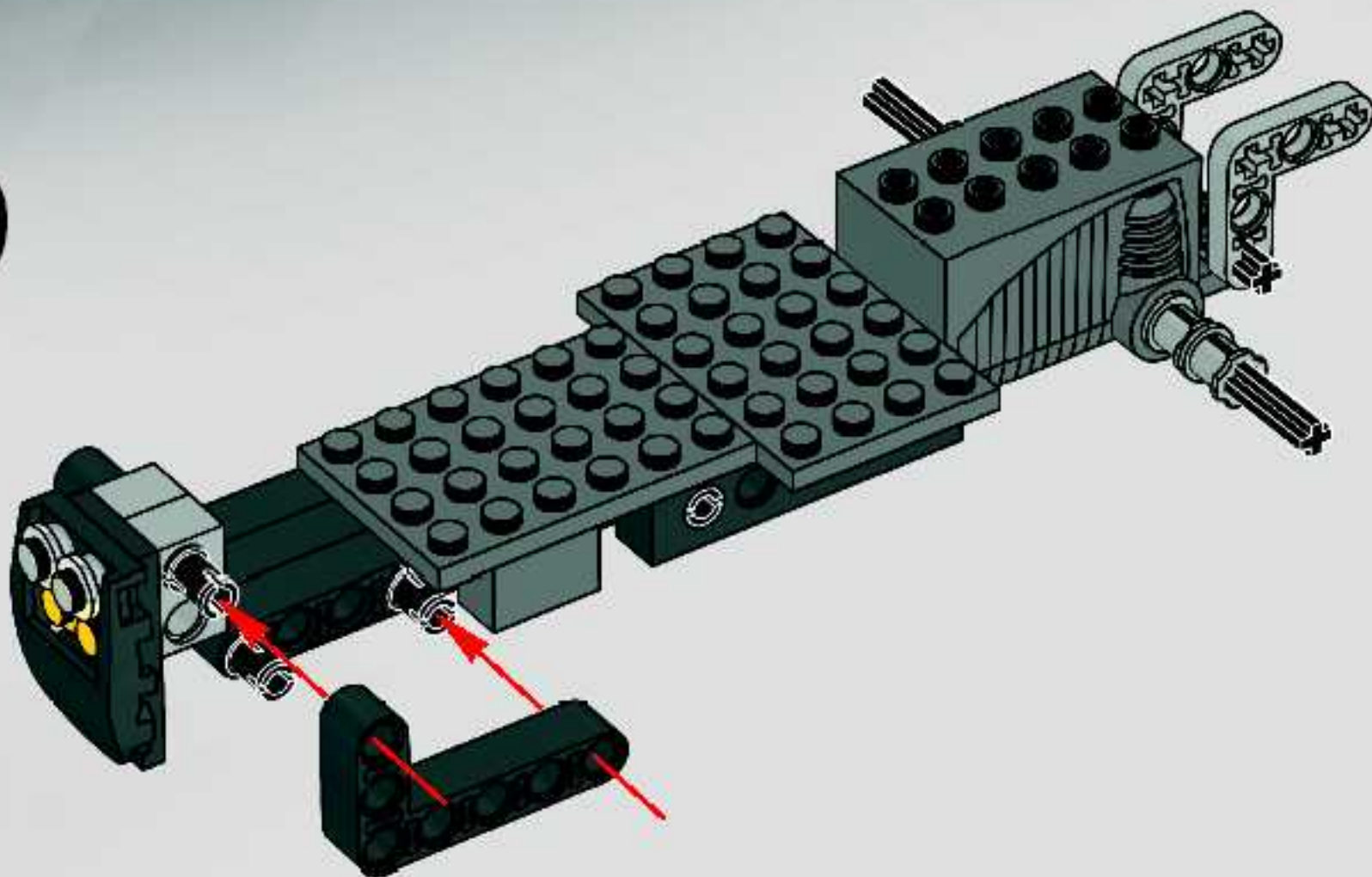


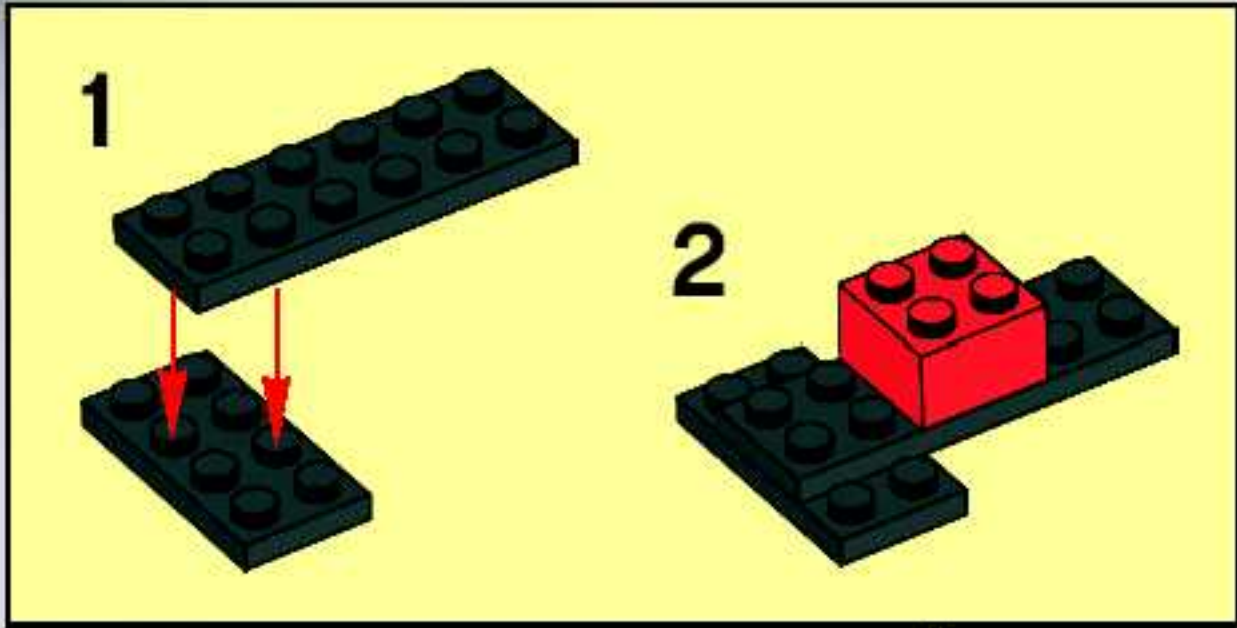


8

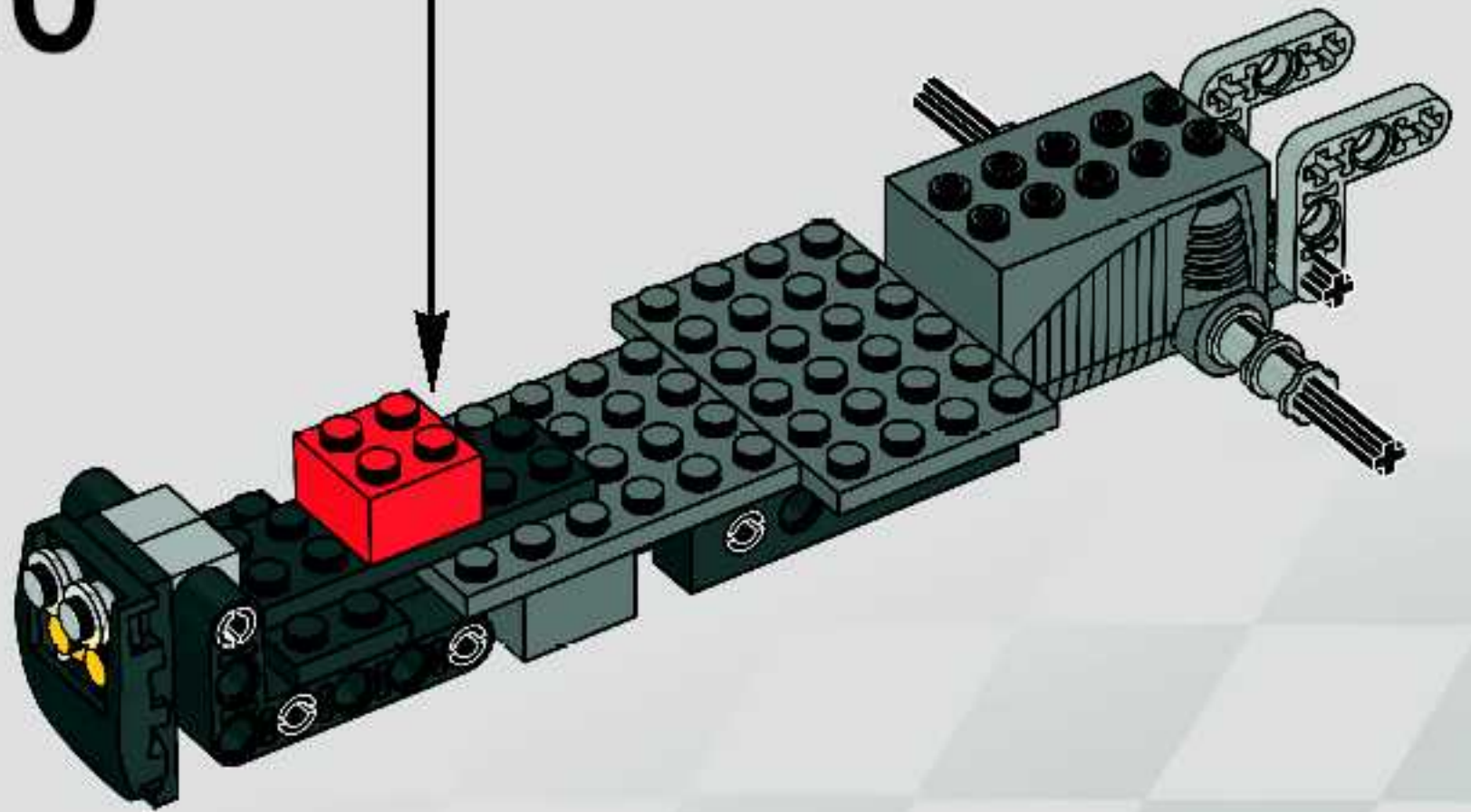


9

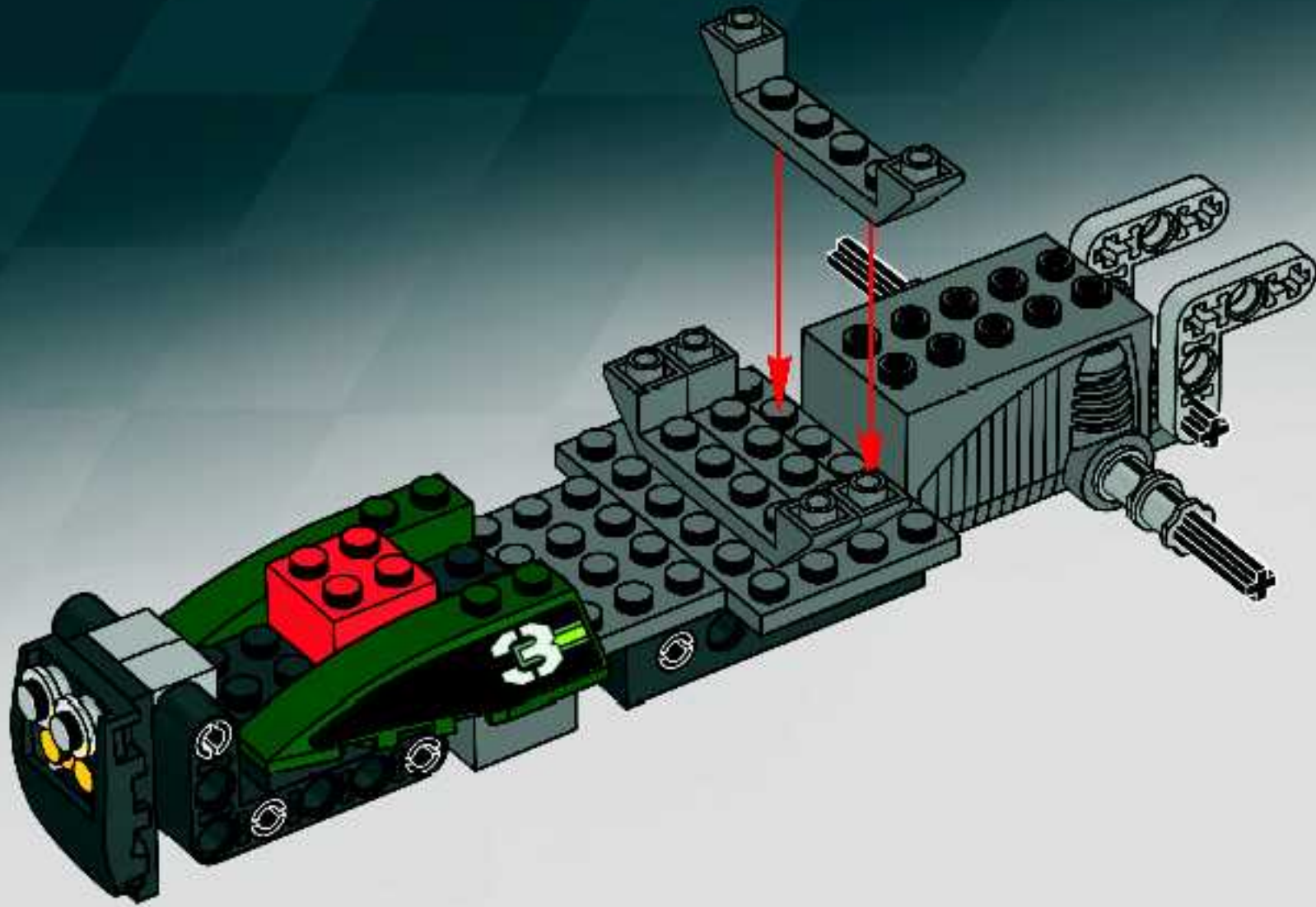




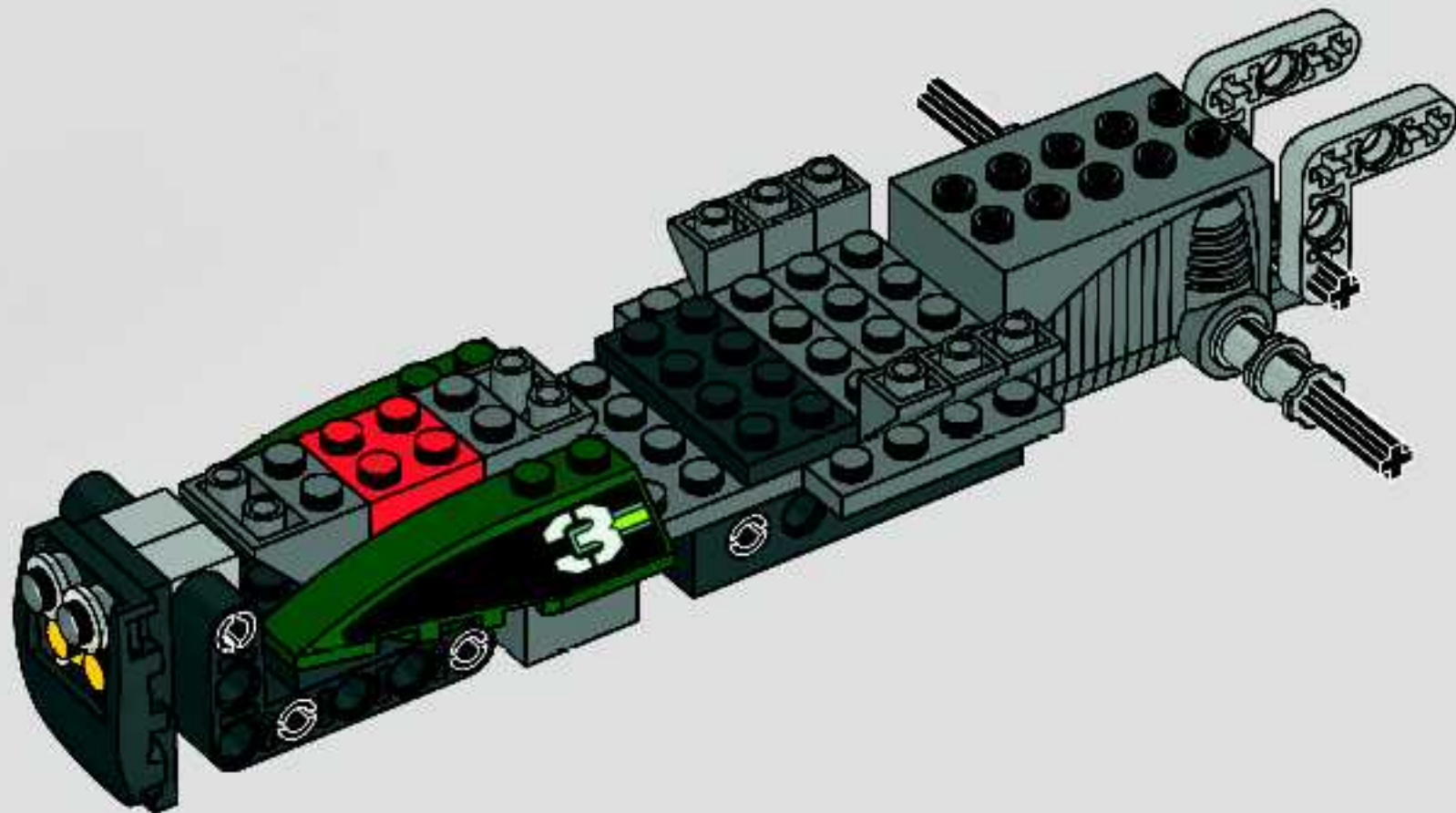
10



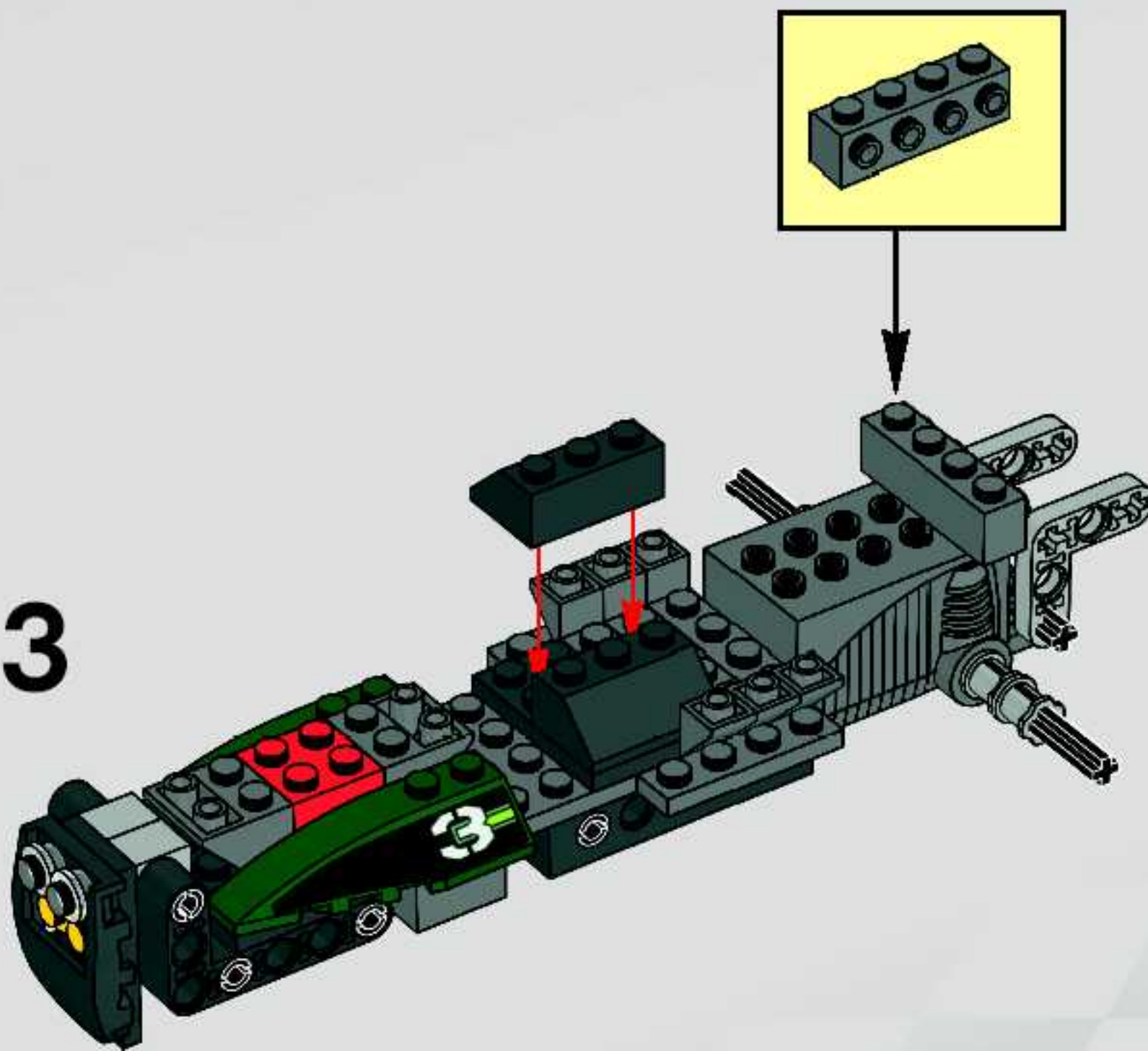
11



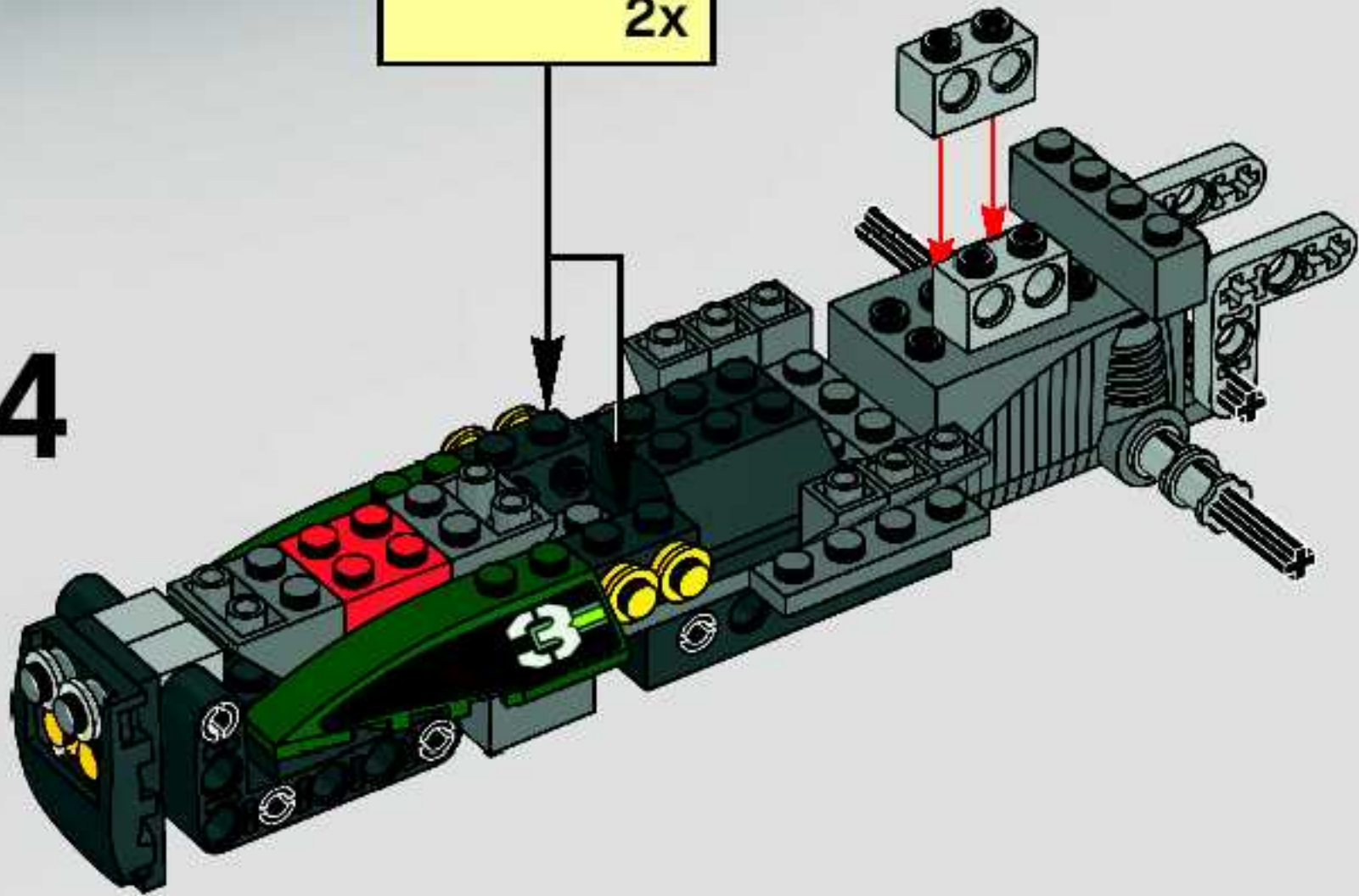
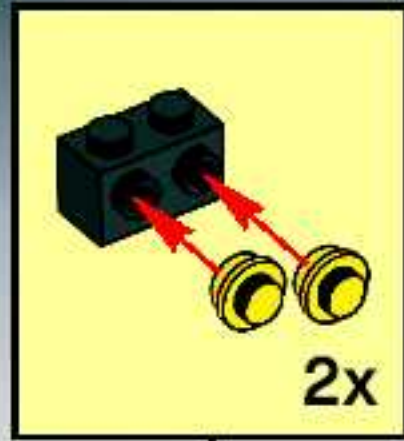
12



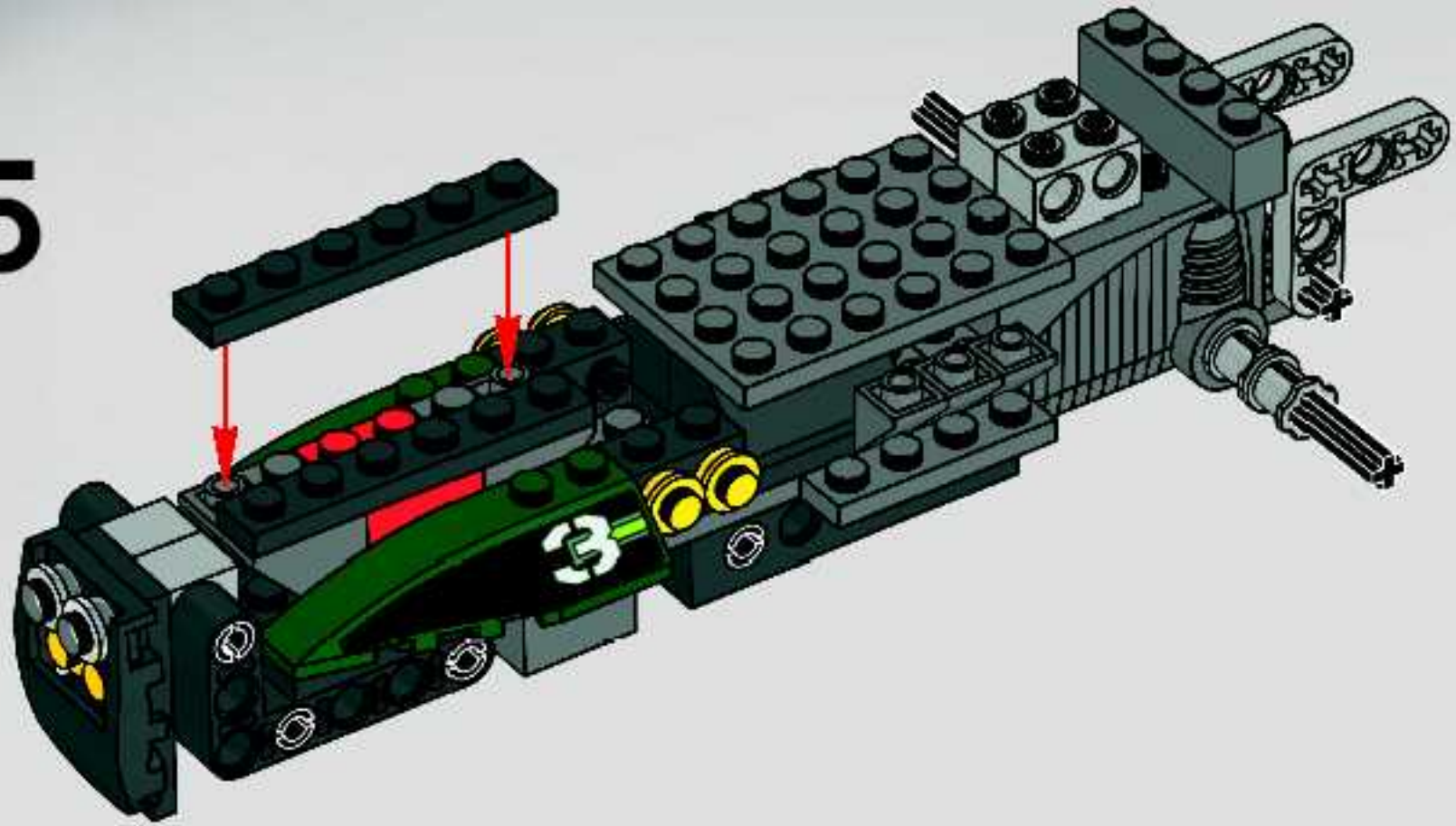
13



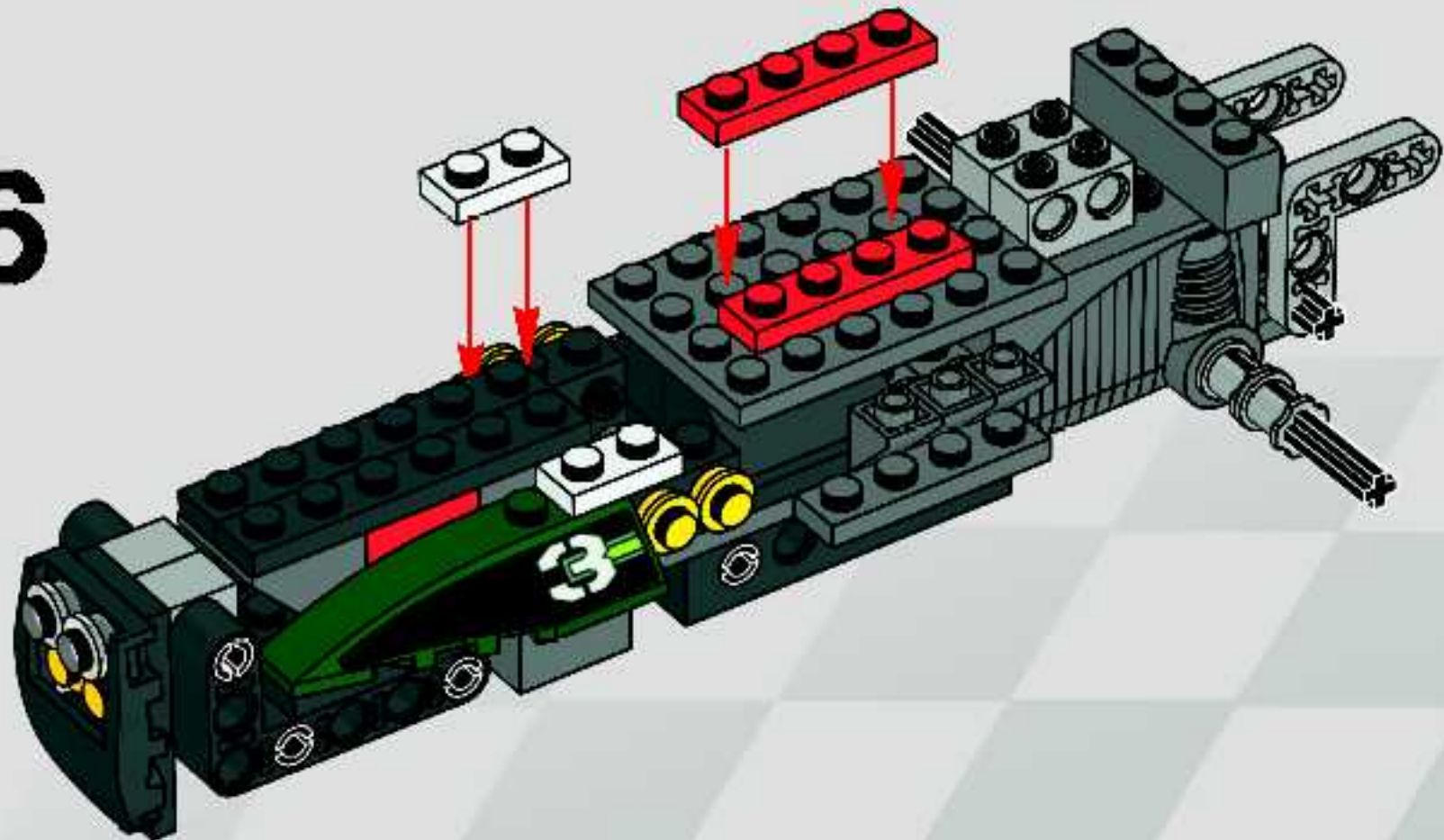
14



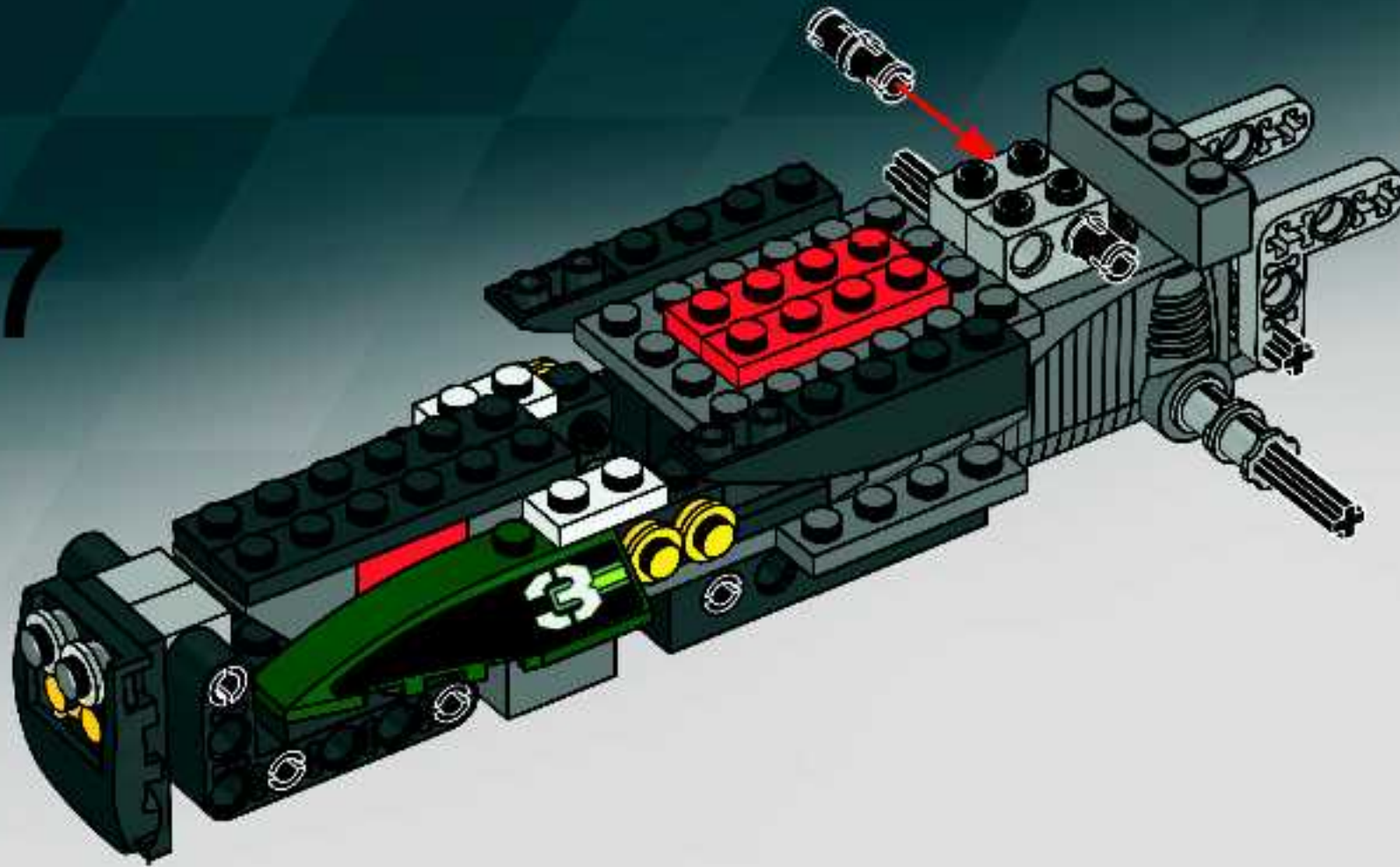
15



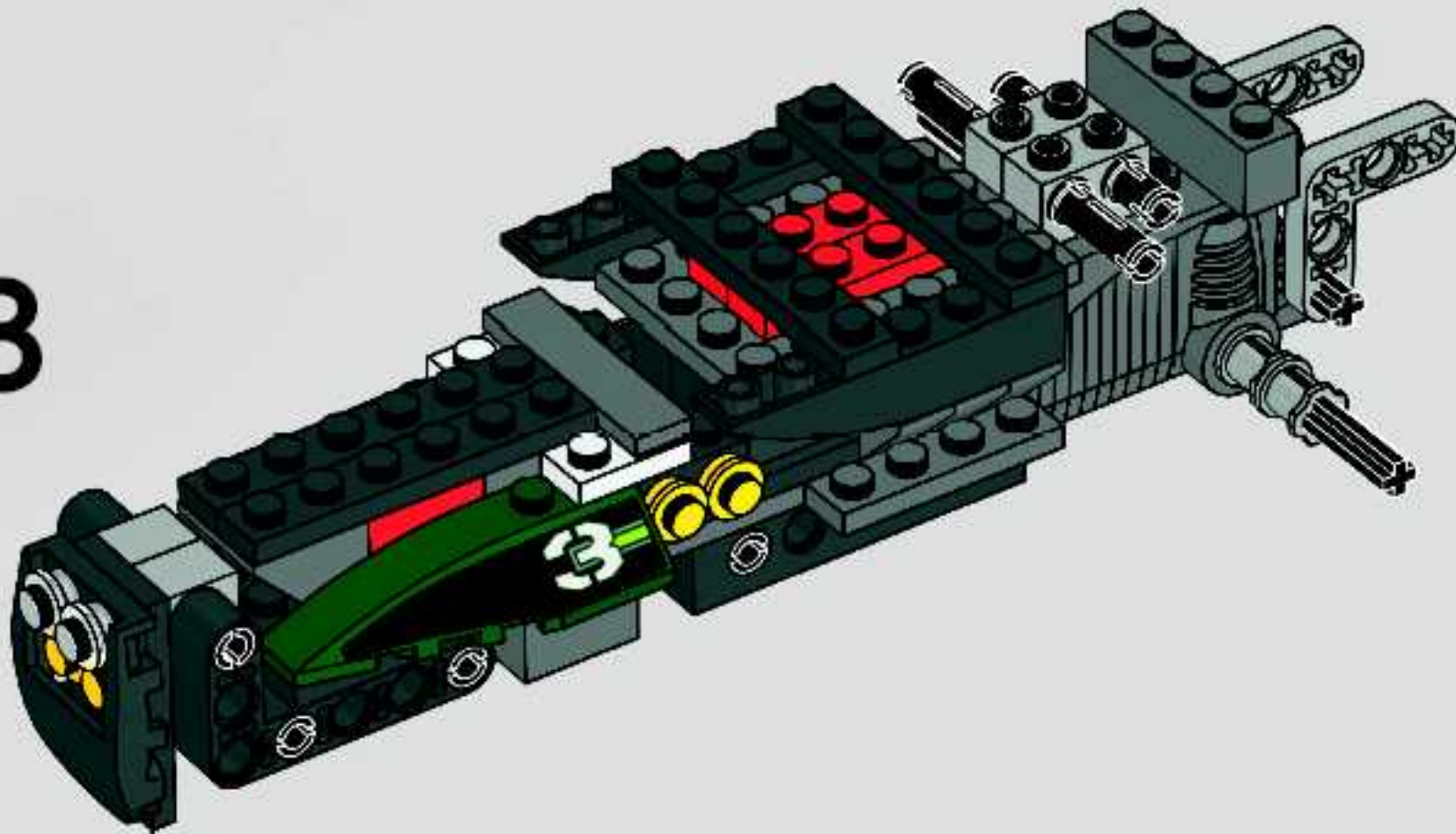
16



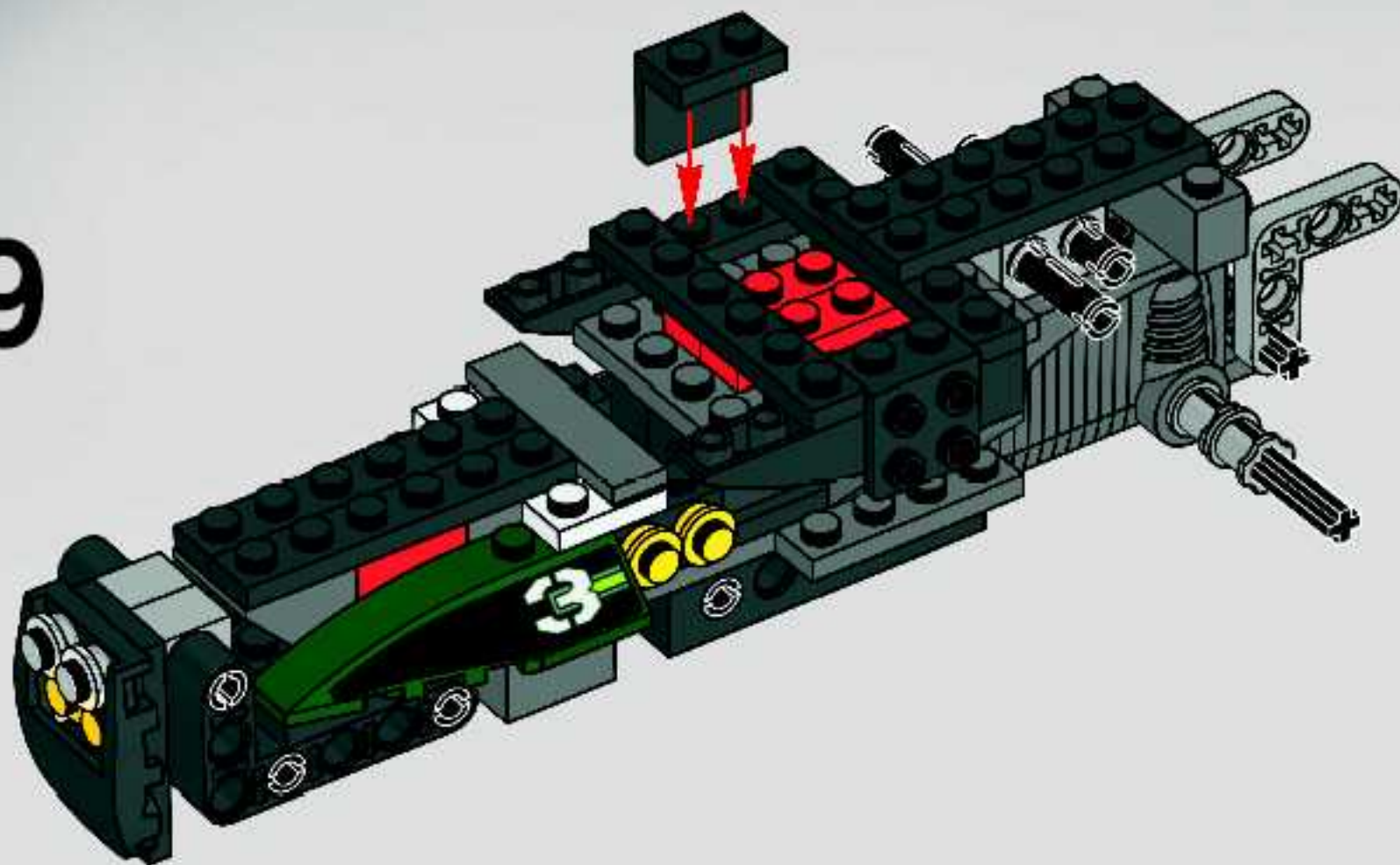
17



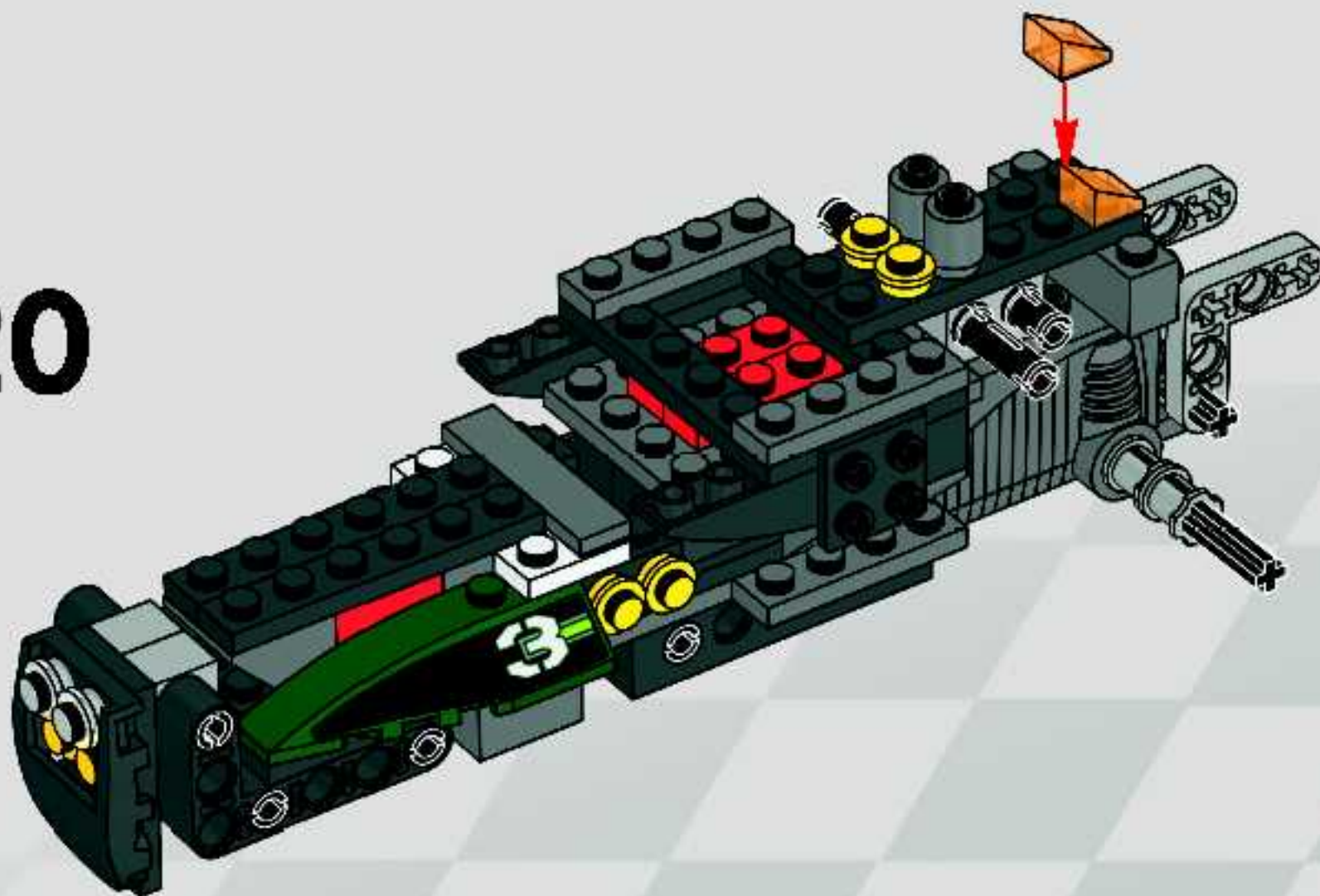
18



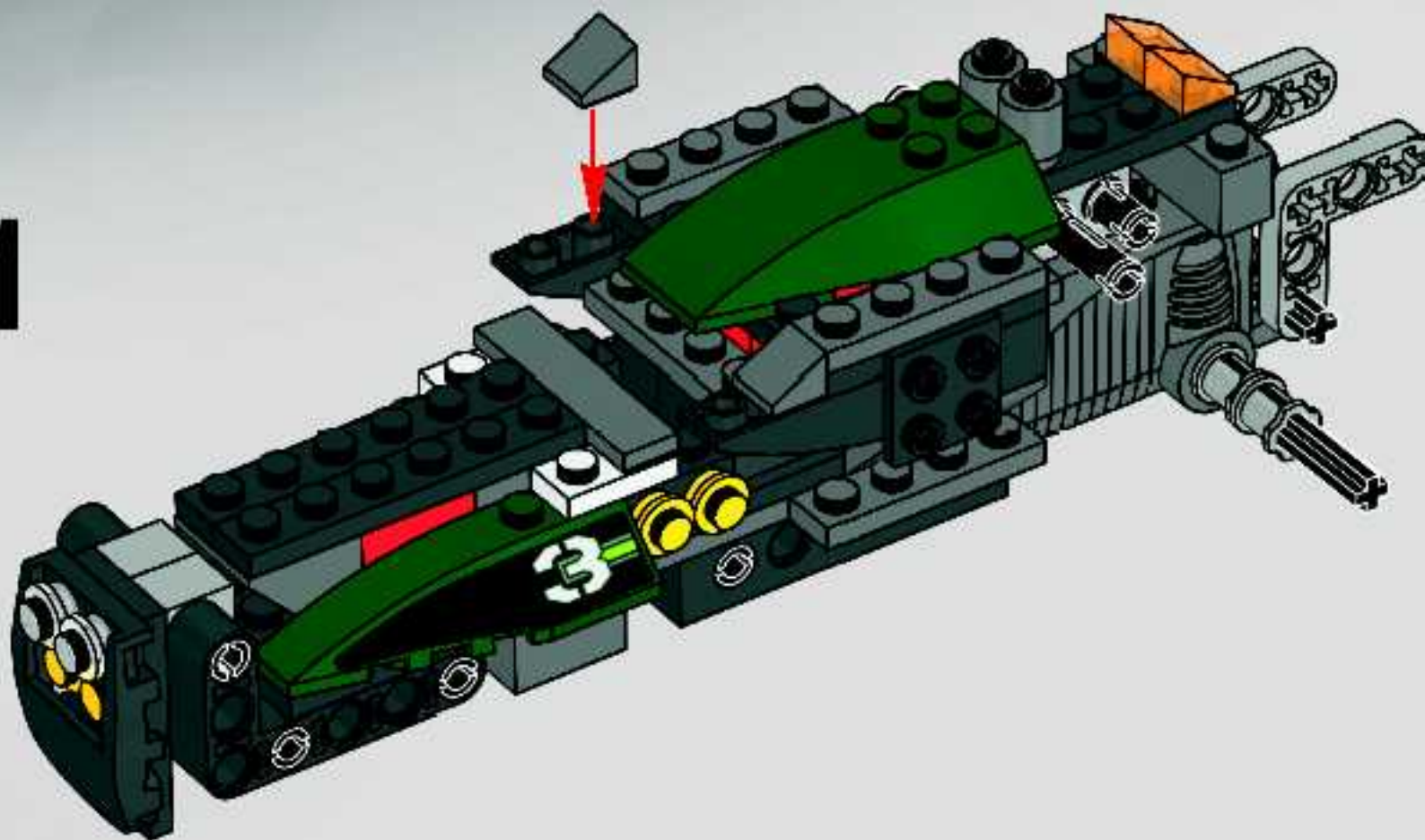
19



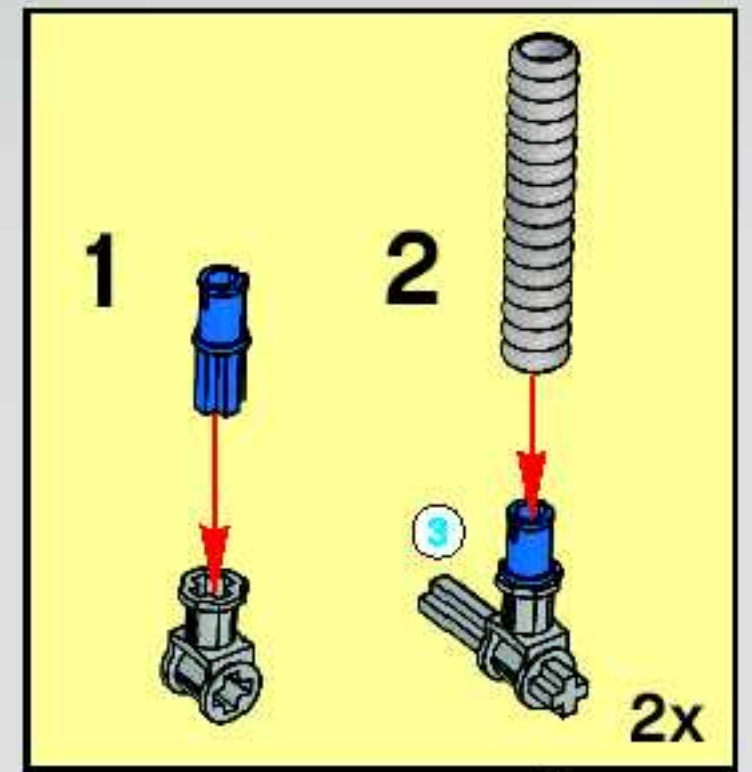
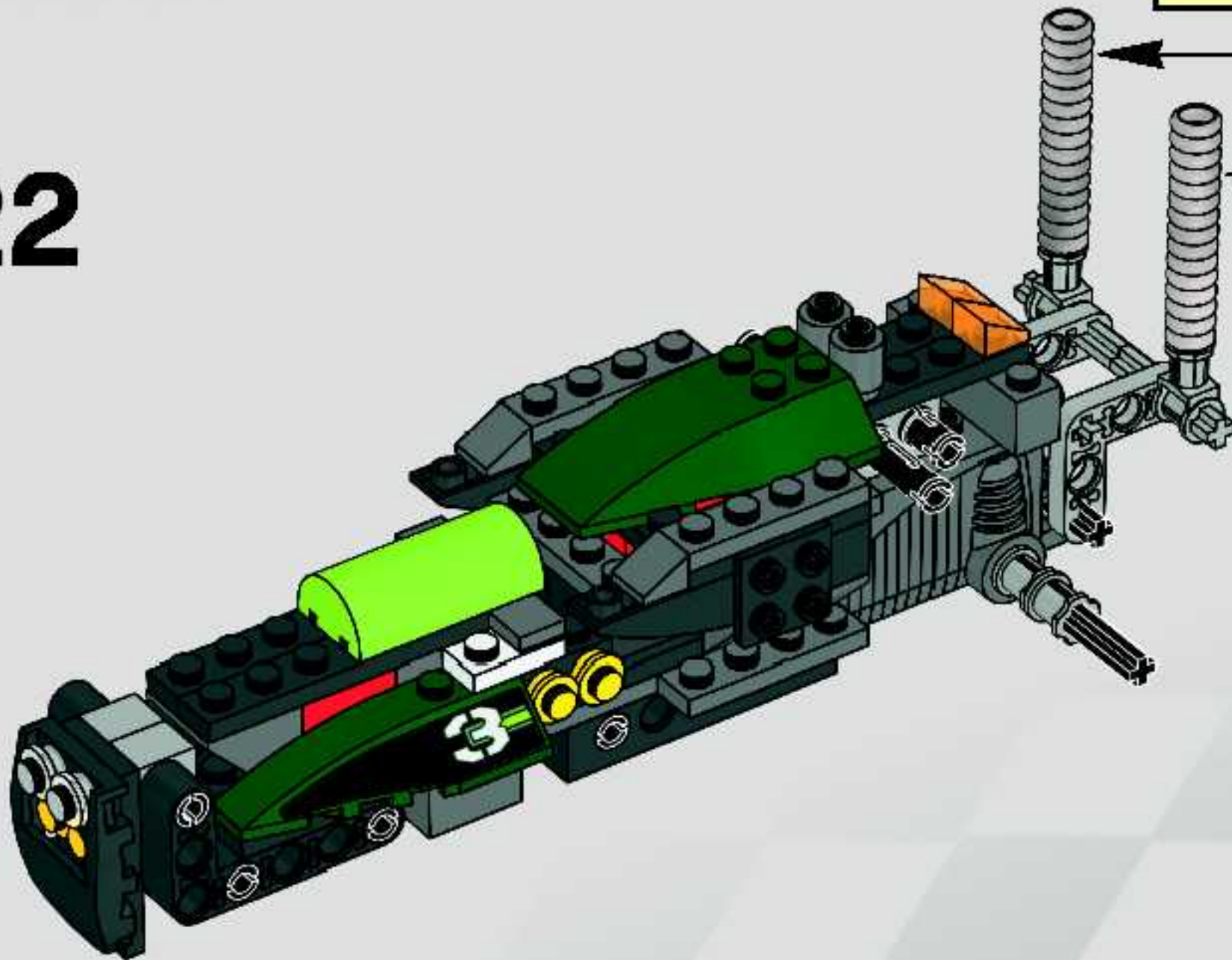
20



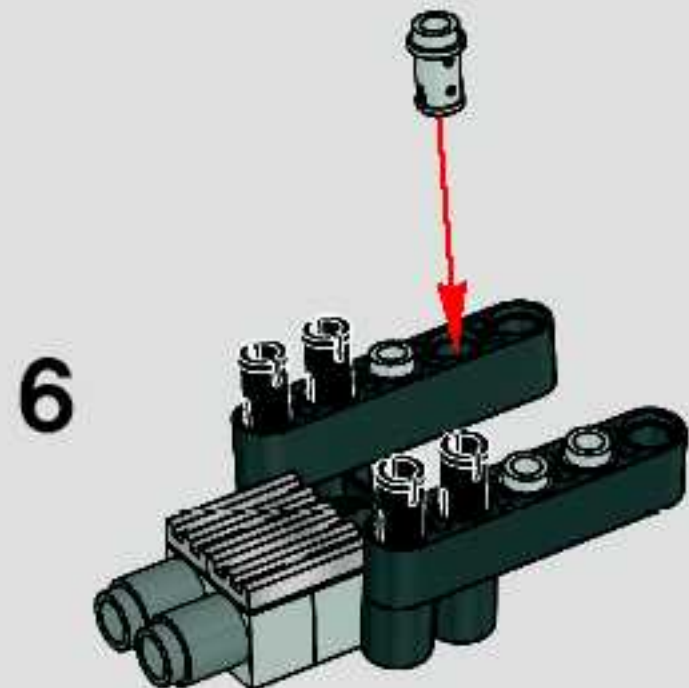
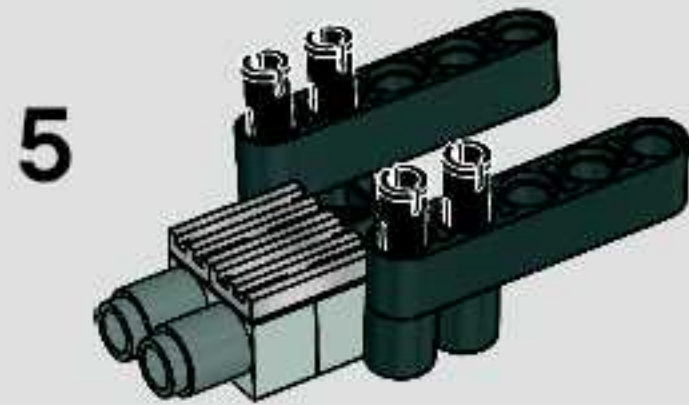
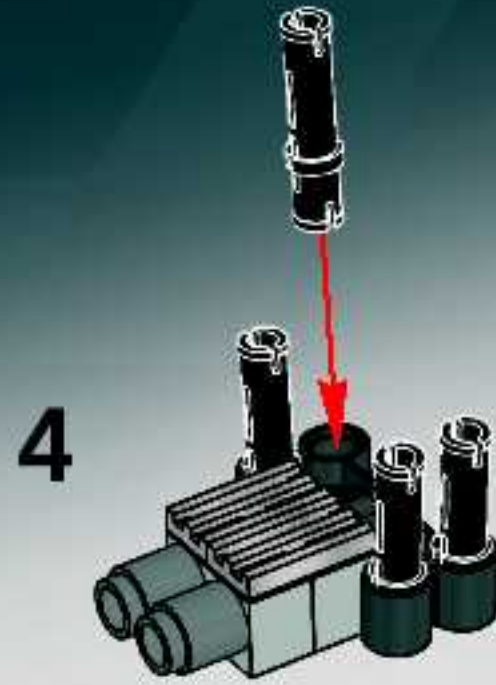
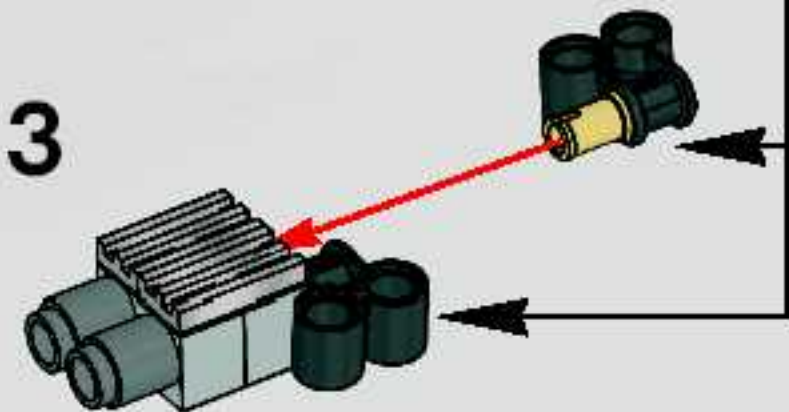
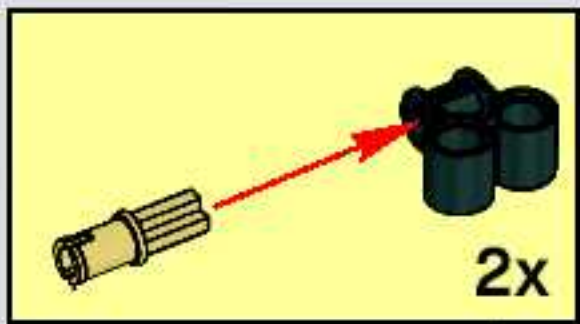
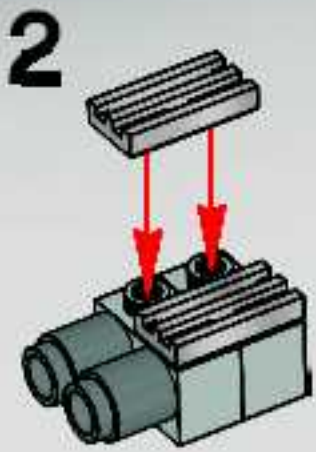
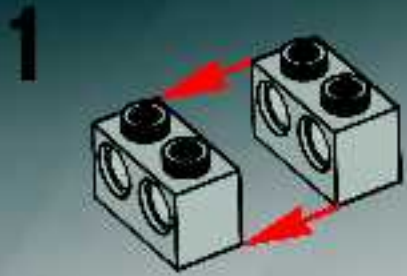
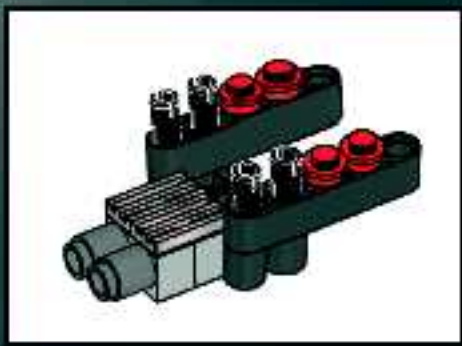
21



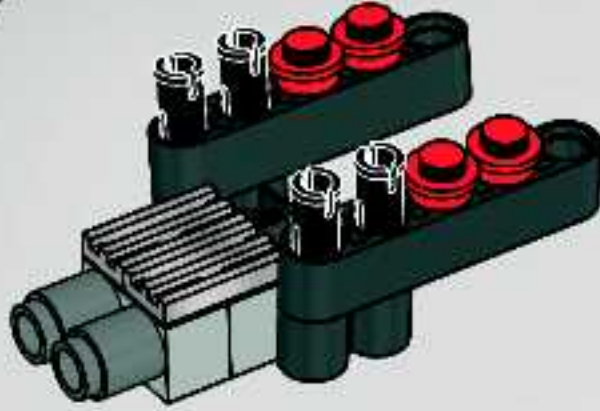
22



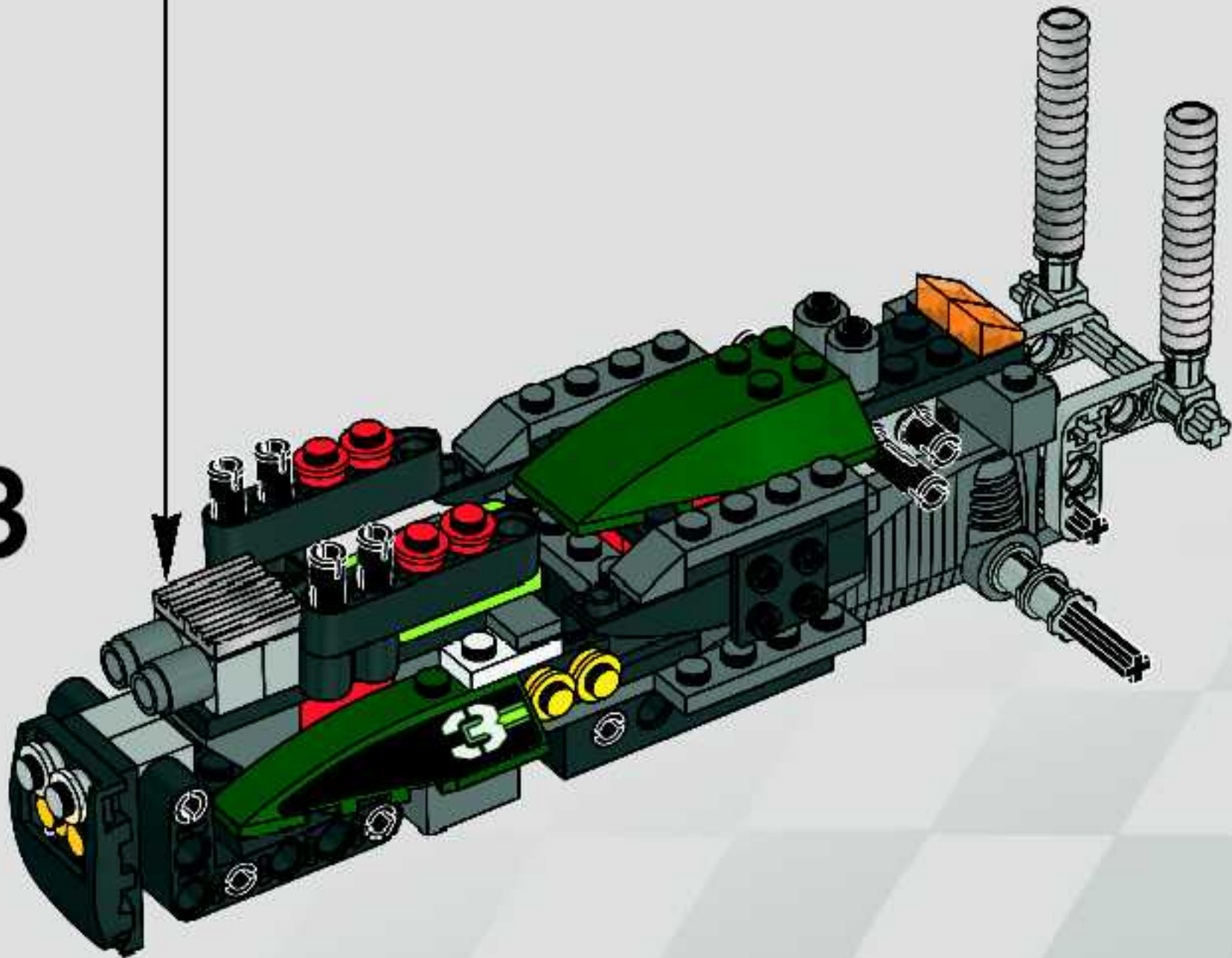
 3 1:1



7

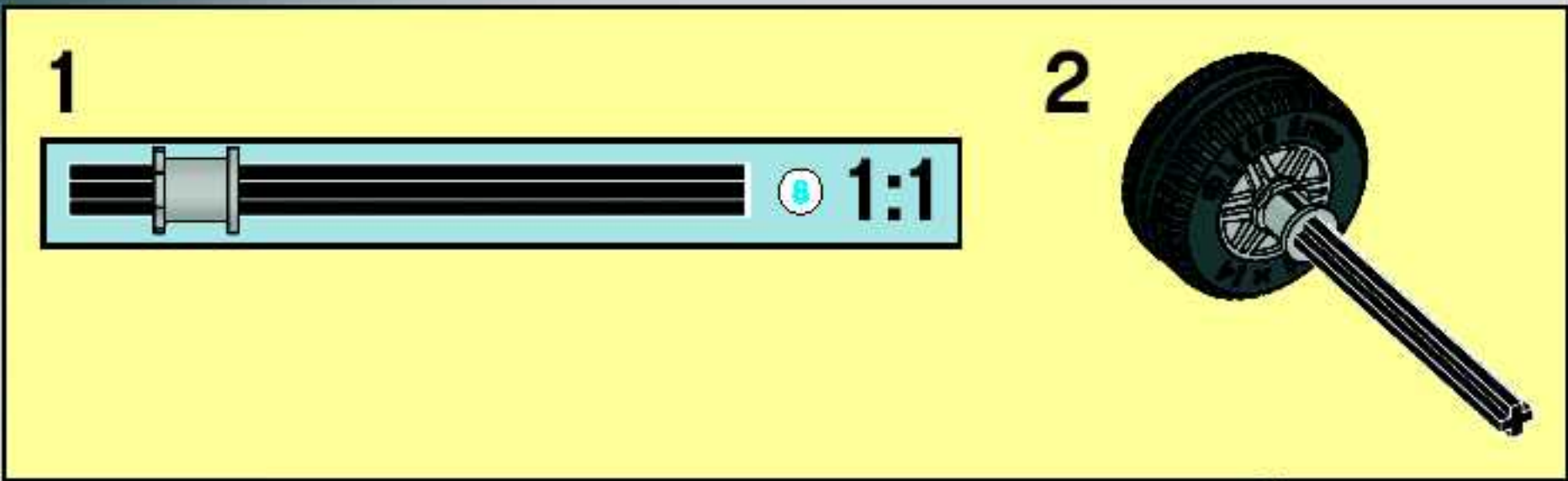


23

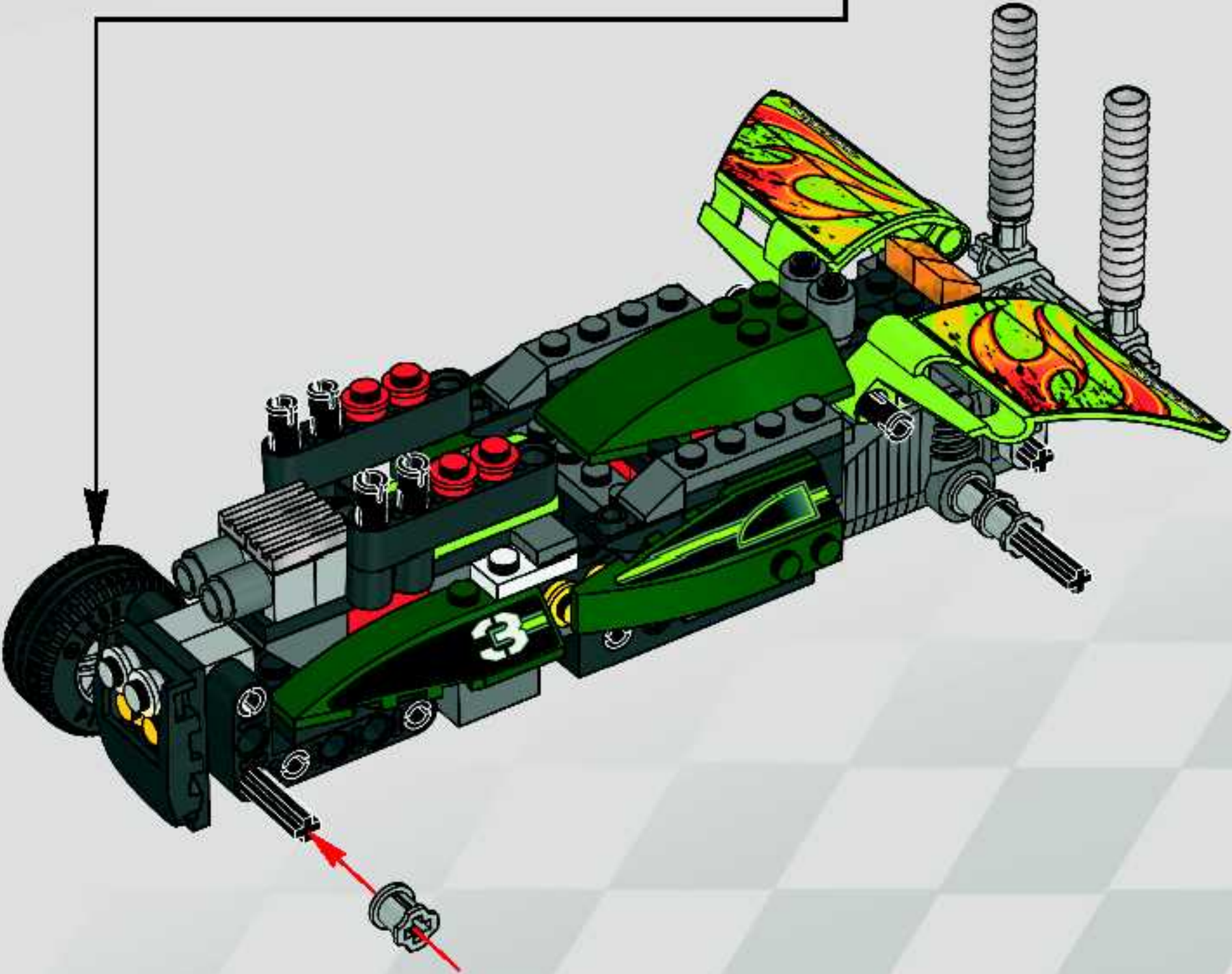


24





25



26





RACERS

8143



8142



8144

Ferrari

OFFICIAL LICENSED PRODUCT







8134



8130



8131



8132



8133

